

AXRS-JxxxS consists of a Controller Card, Power Supply, Fan, LED, LCD and Button Assembly and 4 Canisters with HDDs. The following block diagram shows the construction of AXRS-JxxxS. Gateway#1 generates oscillation of 20MHz and 40MHz. MPU, of 15MHz and 60MHz.

Block Diagram

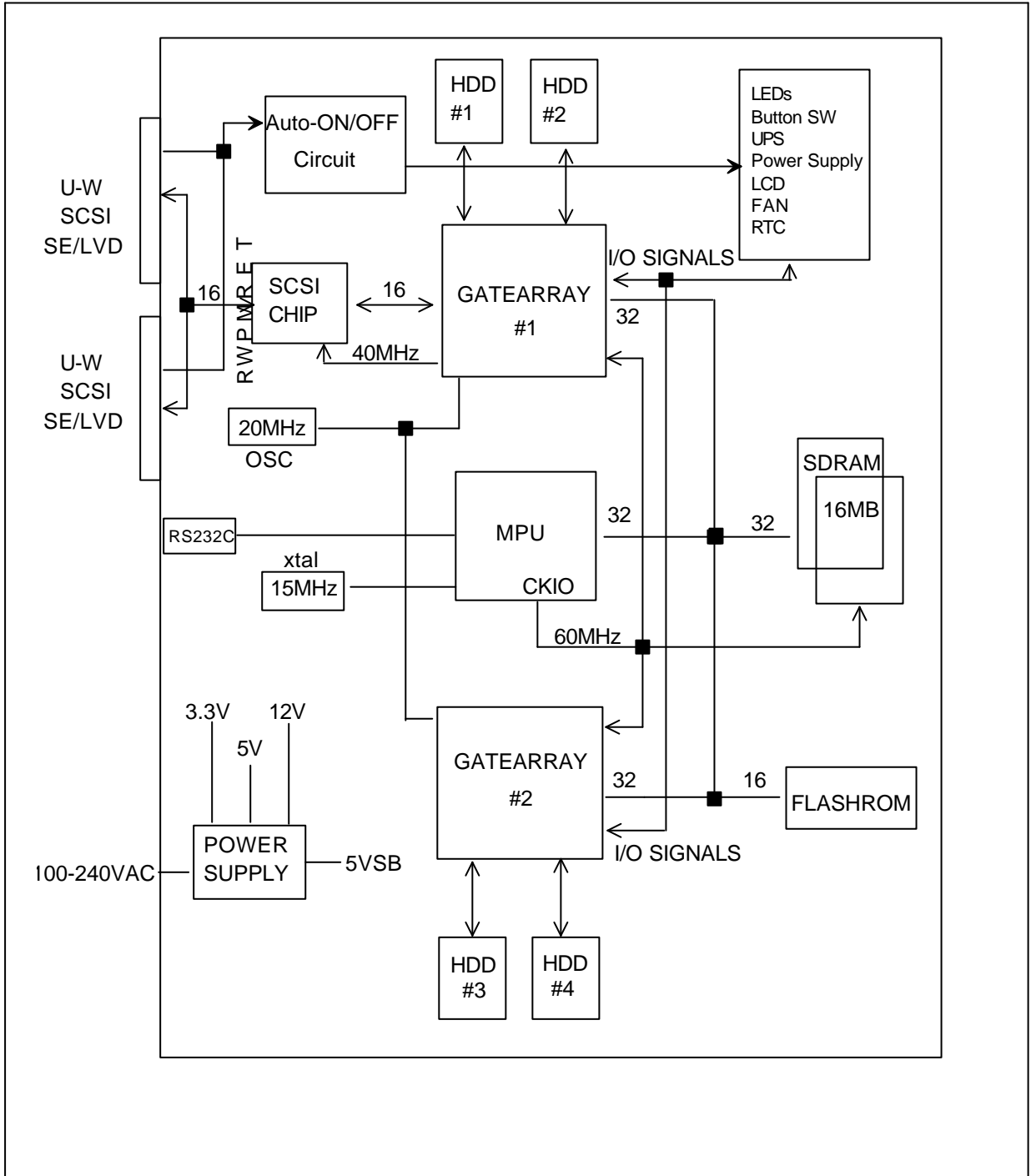


Figure Block diagram of AXRS-JxxxS