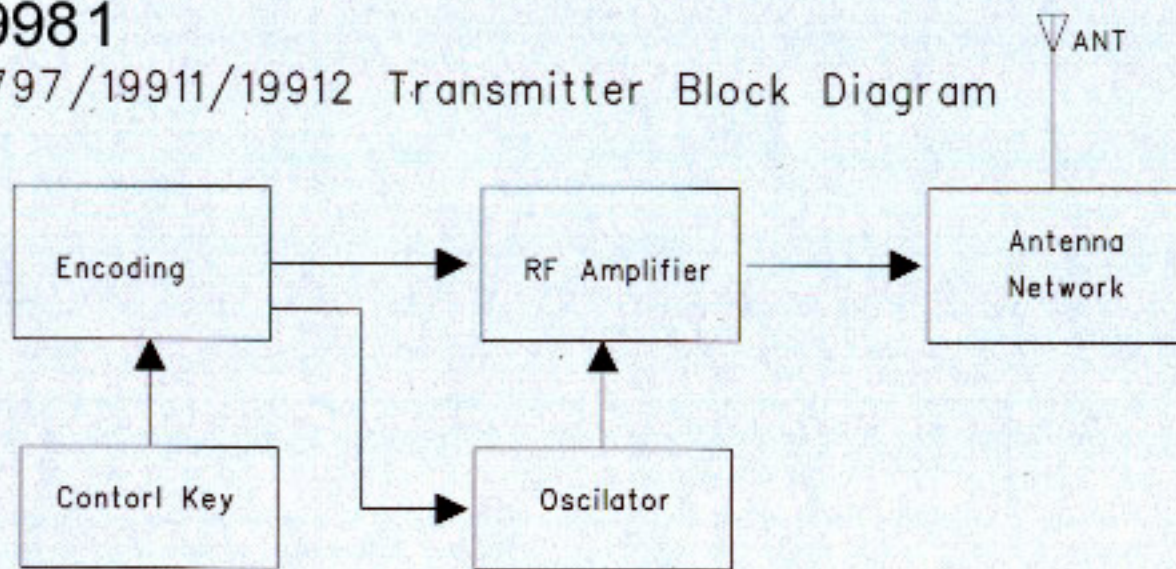


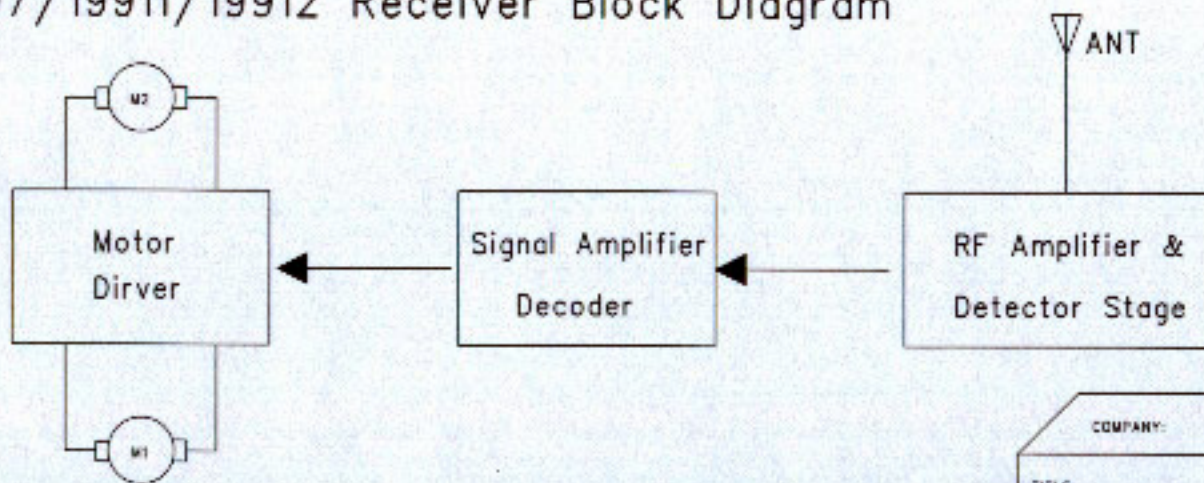
19981

19797/19911/19912 Transmitter Block Diagram



19981

19797/19911/19912 Receiver Block Diagram



COMPANY:			
TITLE:			
DRAWN	DATED:	SIZE:	REV:
CHECKED	DATED:		
DRAWING NO:		SHEET:	OF: