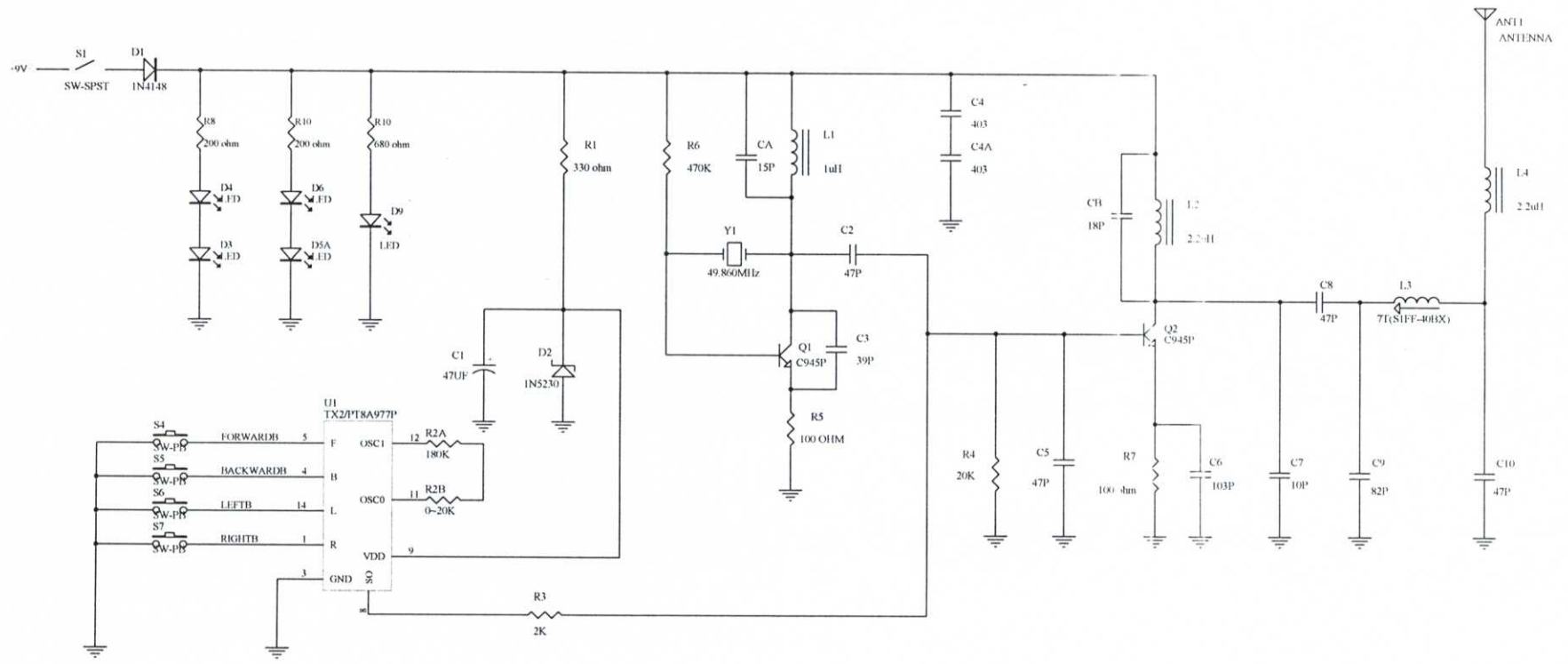


49MHz
19788 FCC
16/02 07

TX5001 49.860MHz



Title	TX5001	
Size	Number	Revision
OrCAD B		01
Date	16-Oct-2007	Sheet of
File	Gas/benghui 打印PCB文件 19663 19663.Dwg	Author: TANG YUAN SONG