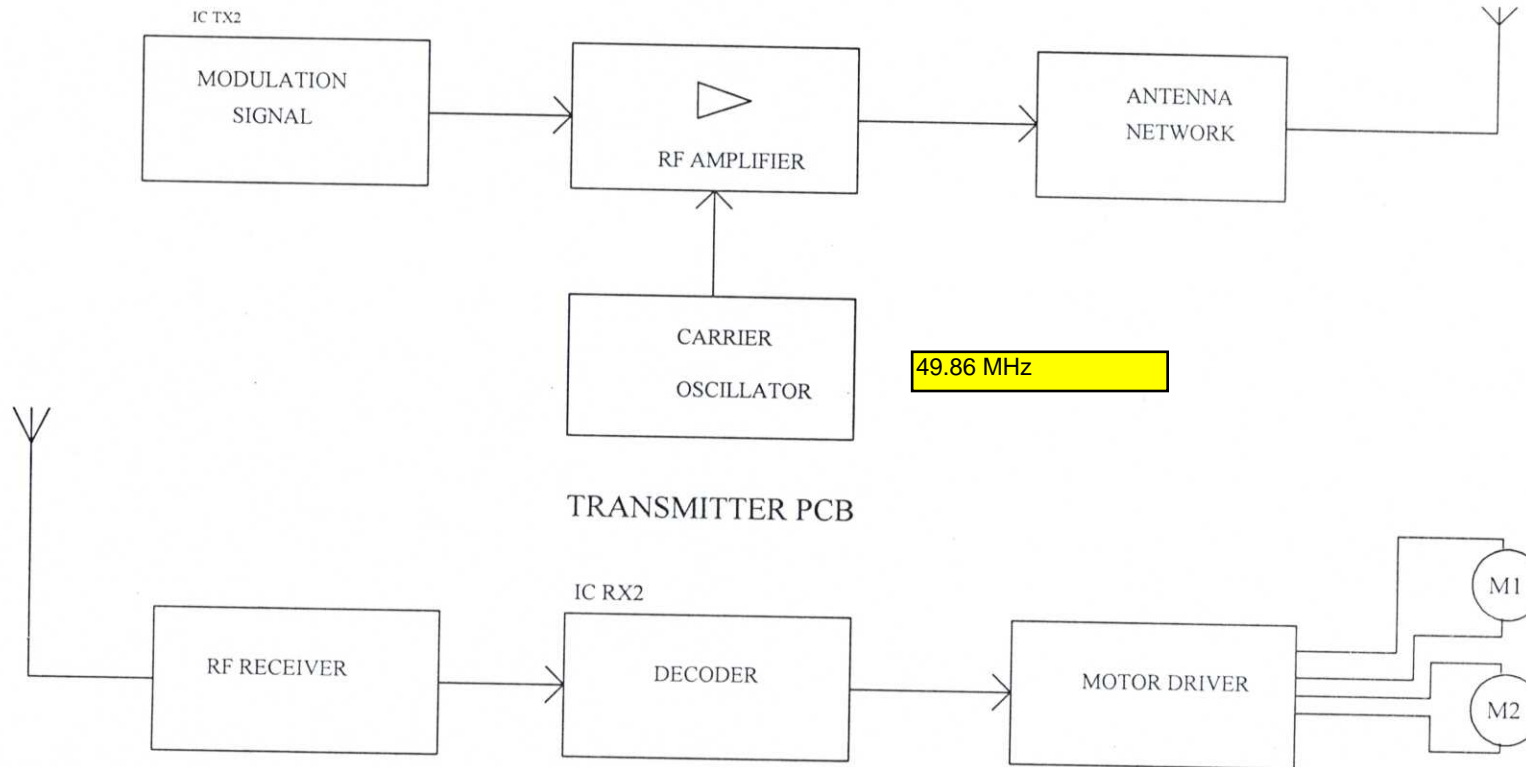


Model Nr: NUB 49016TX  
Art. Nr. 19695 24.10.07

### 19695 CIRCUIT BLOCK DIAGRAM



RECEIVER PCB