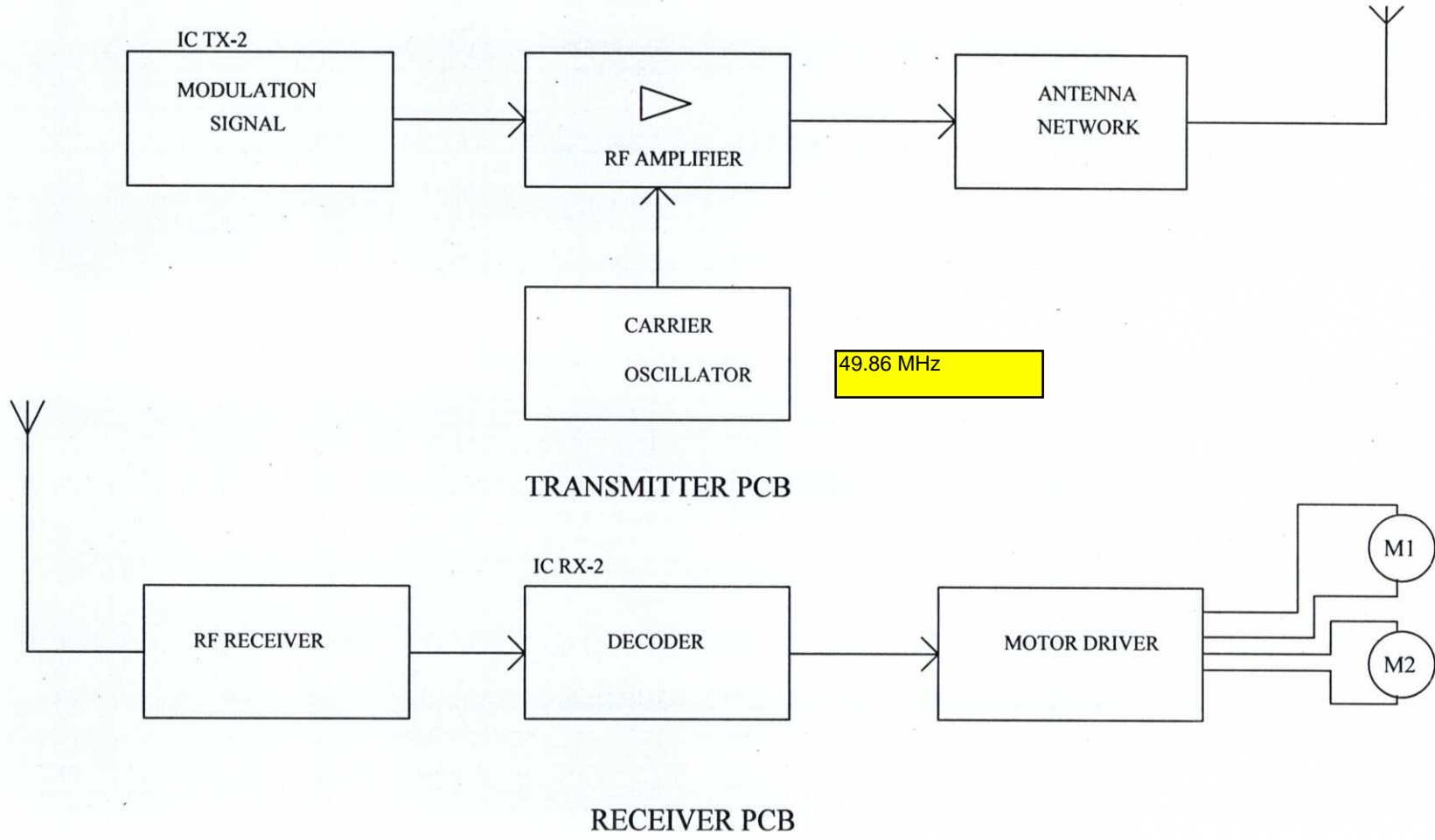


Modul Nr.: NCB 49015 TX
AA. Nr. 19801 24.10.07

19801 CIRCUIT BLOCK DIAGRAM



Title		
Size	Number	Revision
A4		
Date:	13-Oct-2007	Sheet of
File:	D:\19801\19801Design.ddb	Drawn By: TANG YUAN SONG