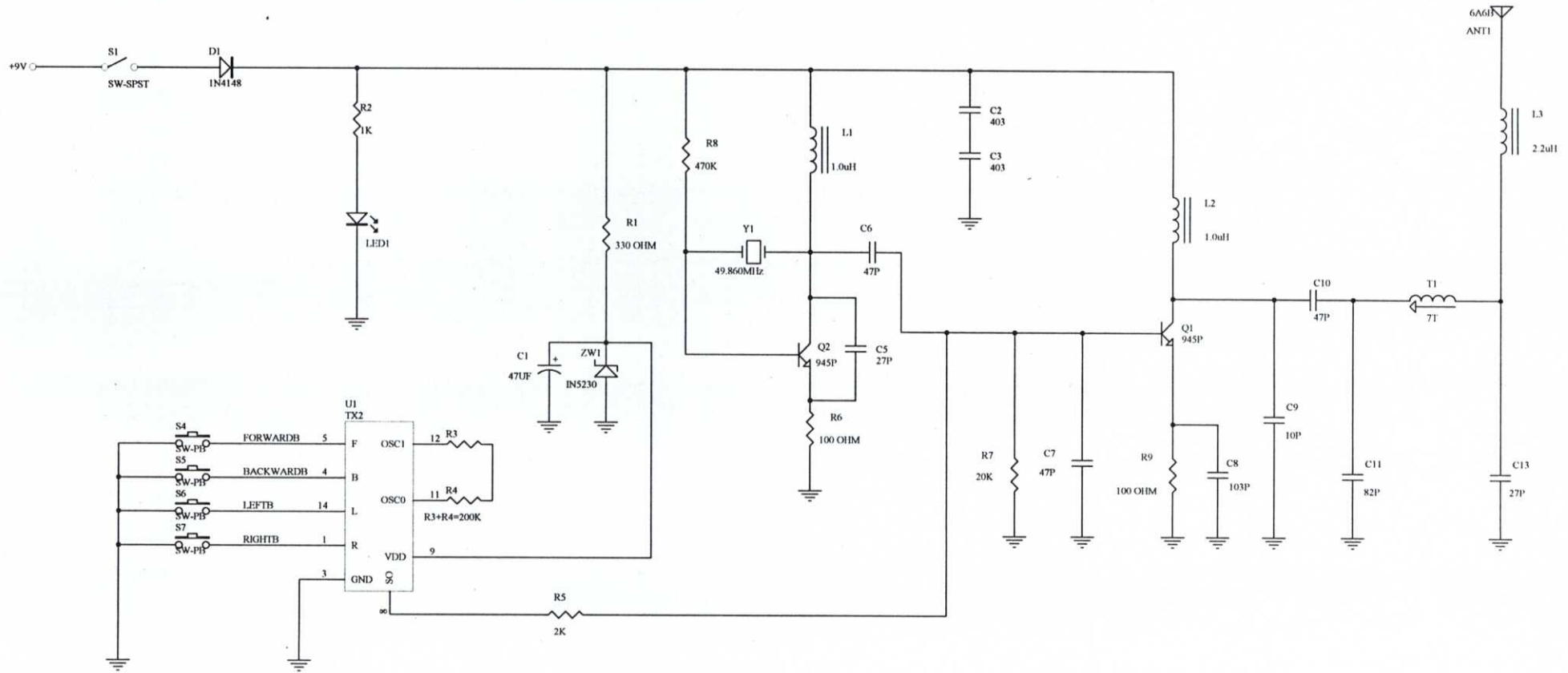


TX06011 49.860MHz



Title		TX06011	
Size	Number	Revision	
OrCAD B			
Date	13-Oct-2007	Sheet	of
File	D:\19801\19801Design.ddb	Drawn	By