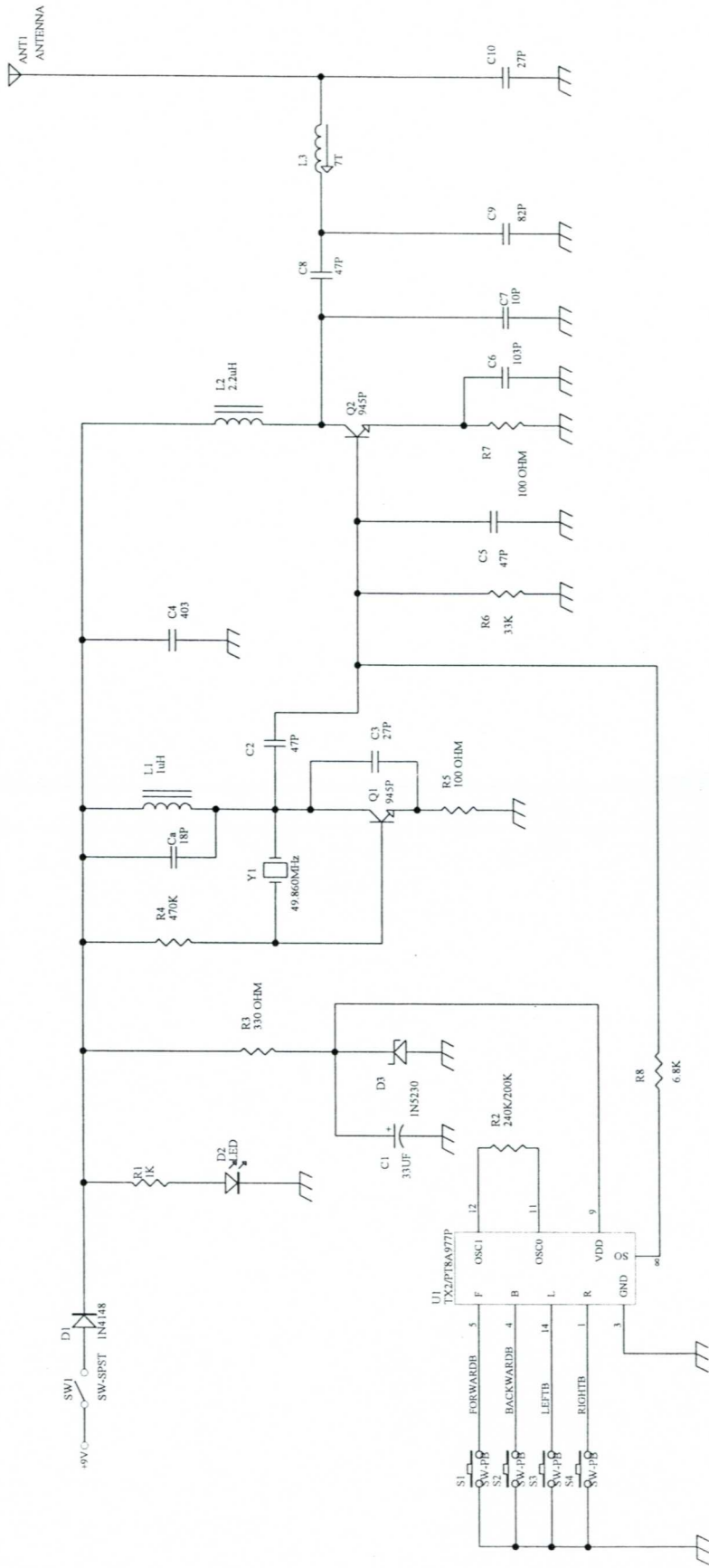


ART. NO. 19971. (49 MHz) FOR FCC APPROVAL

MS 49010

TX2006U 49.860MHz



Title	TX2006U-49M.SCH		
Size	Number	Revision	01
Circuit			
Date	4-Oct-2004	Drawn by	TANG YUAN SUNG
File	E:\my2UT\2006m\DJH		