

6

5

4

3

2

1

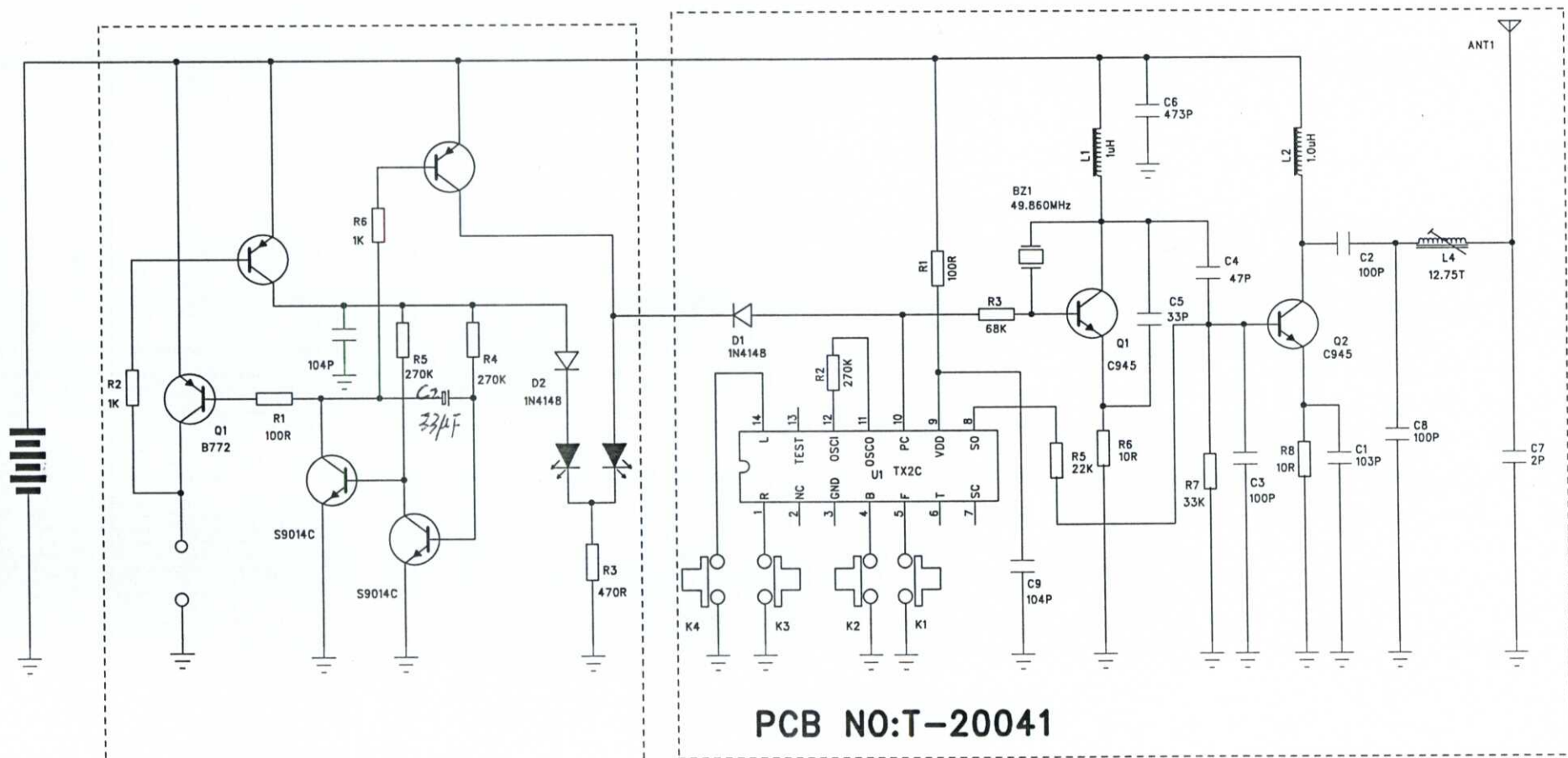
ART. NO. 308 9186.

APPN: MR. NICKY JANGSCHER.

DOCUMENT FOR F.C.C. TESTING.

Model NCB 49009TX

# 3089186 (49MHz) TX&CH Circuit Diagram



PCB NO:A888Q2A

PCB NO:T-20041

COMPANY:		
TITLE:		
DRAWN:	DATED:	REV:
CHECKED:	DATED:	
DRAWING NO:	SHEET:	OF