

6

5

4

3

2

1

D

C

B

A

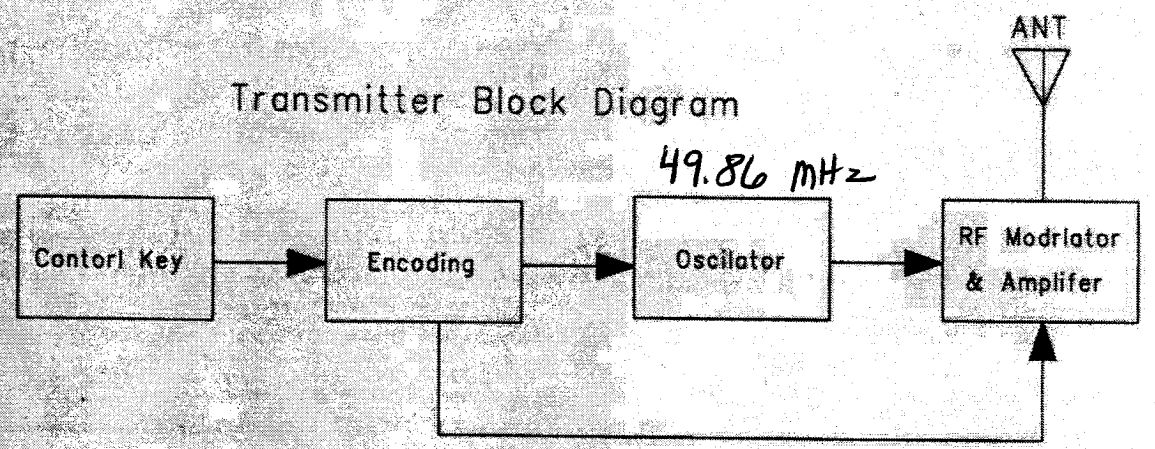
D

C

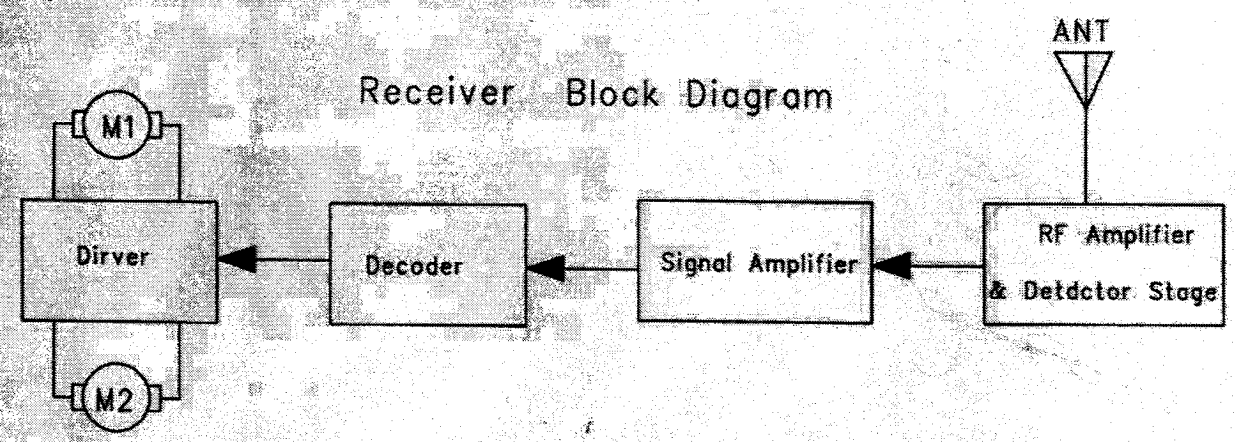
B

A

Transmitter Block Diagram



Receiver Block Diagram



COMPANY:		
TITLE:		
DRAWN:	DATED:	REV:
CHECKED:	DATED:	
DRAWING NO:	SHEET:	OF