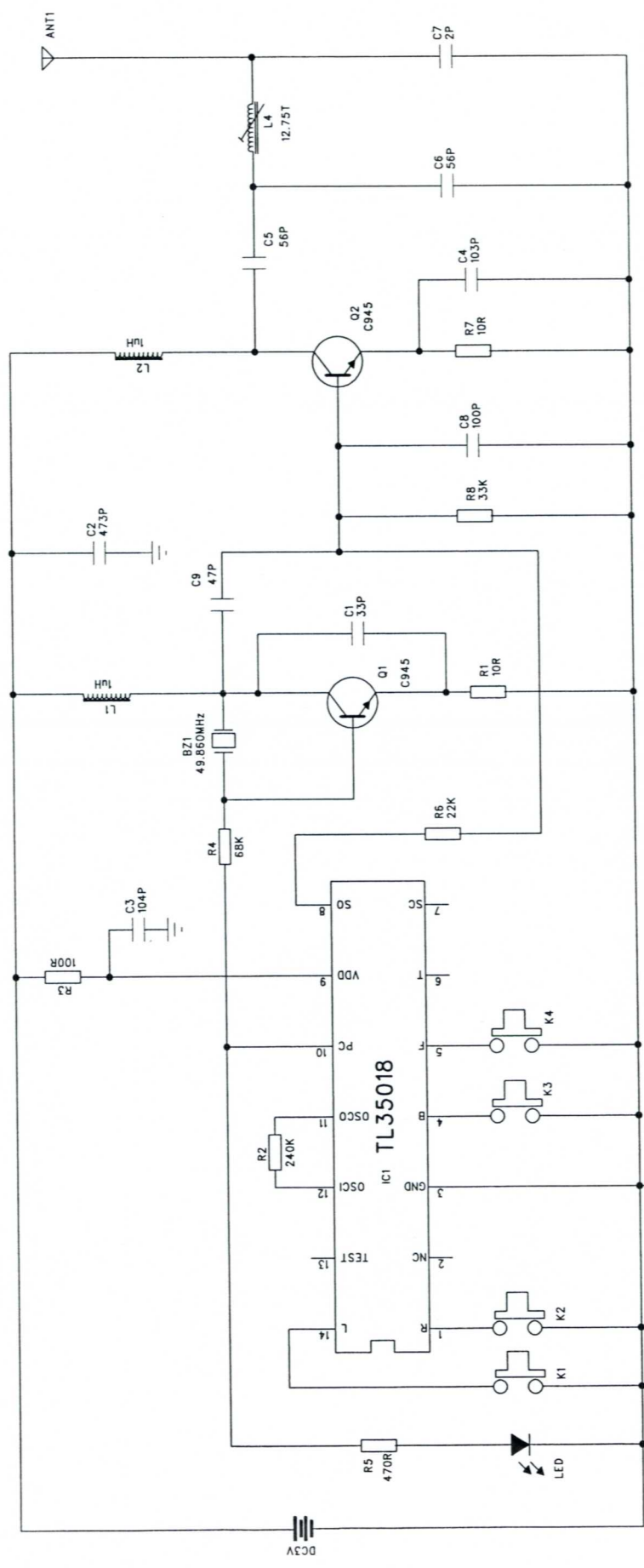


1 2 3 4 5 6

19779/19784 (49MHz) FOR FCC APPROVAL
ALR 49008 TX M.10.04

REVISION RECORD	
LTR	ECO NO:
	APPROVED:
	DATE:

T-20042 49MHz Transmitter Circuit Diagram



COMPANY:		TITLE:	
DRAWN:	DATED:	CODE:	SIZE:
CHECKED:	DATED:	QUALITY CONTROL:	DATED:
RELEASED:	DATED:	SCALE:	SHEET: OF

D C B A

D C B A