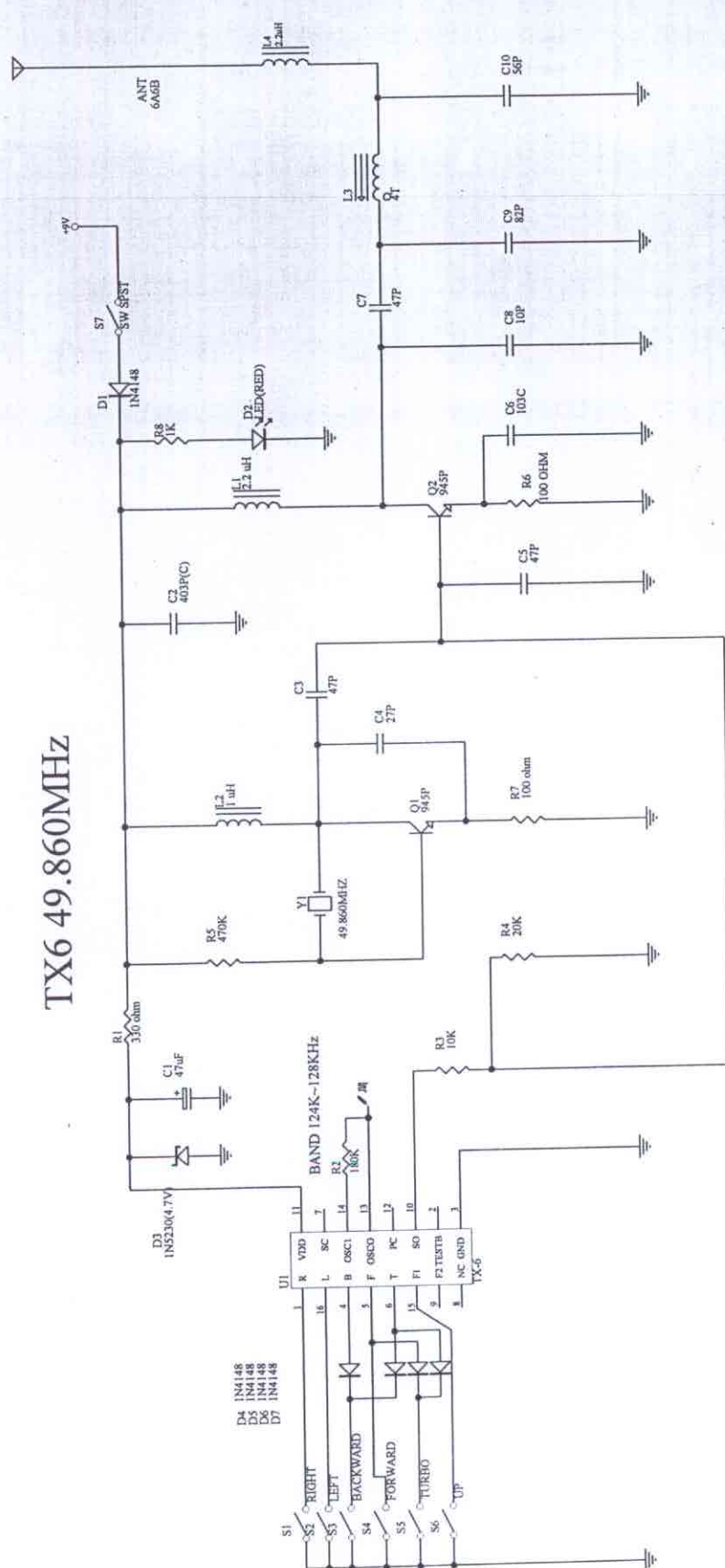
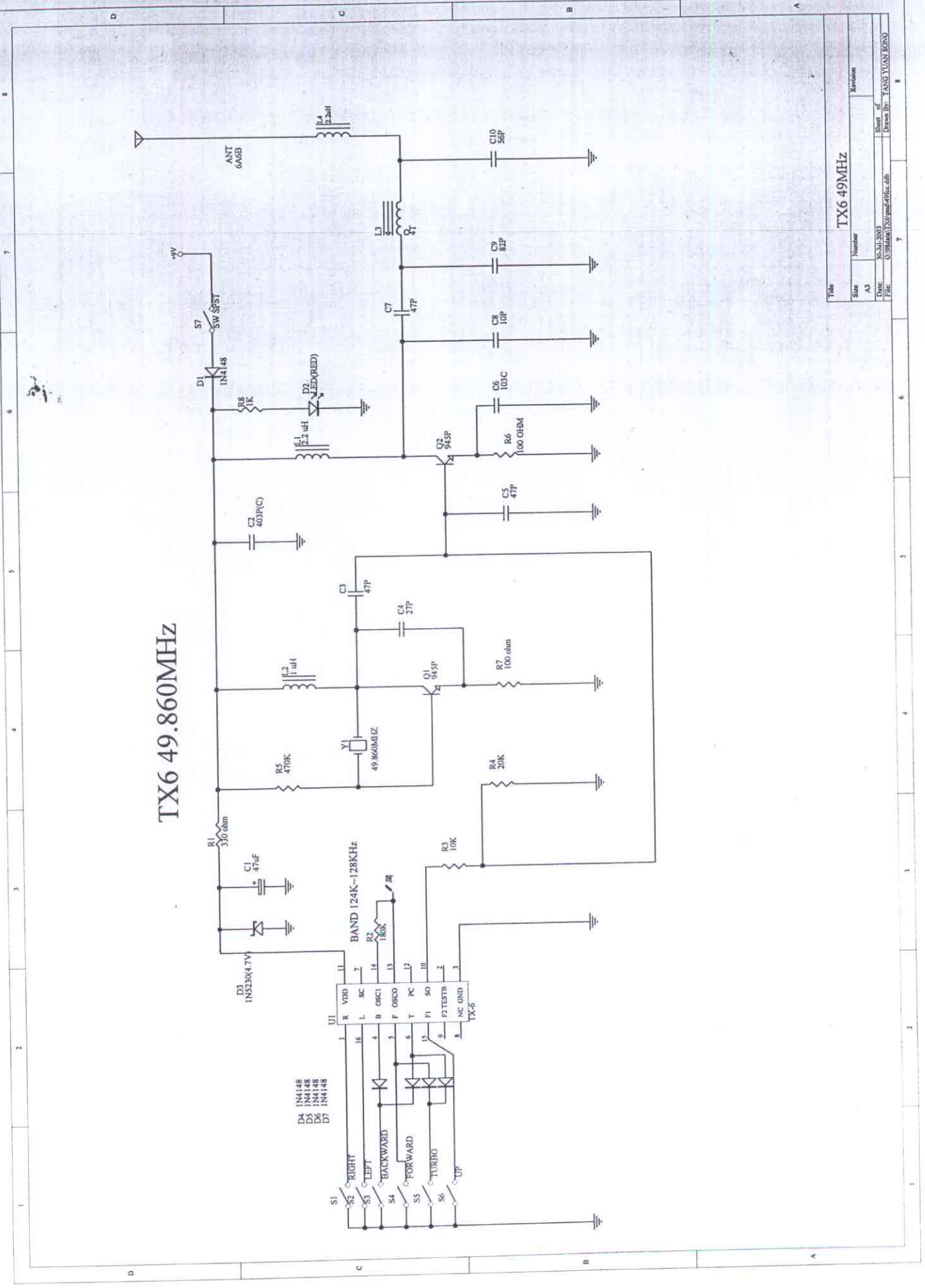


TX6 49.860MHz



Title		TX6 49MHz	
Size	Number	Revision	
A3			
Date	Sheet of	Sheet of	
02/04/2003	02/04/2003	02/04/2003	
File	Drawn By	TANG YUAN BONG	
02/04/2003			

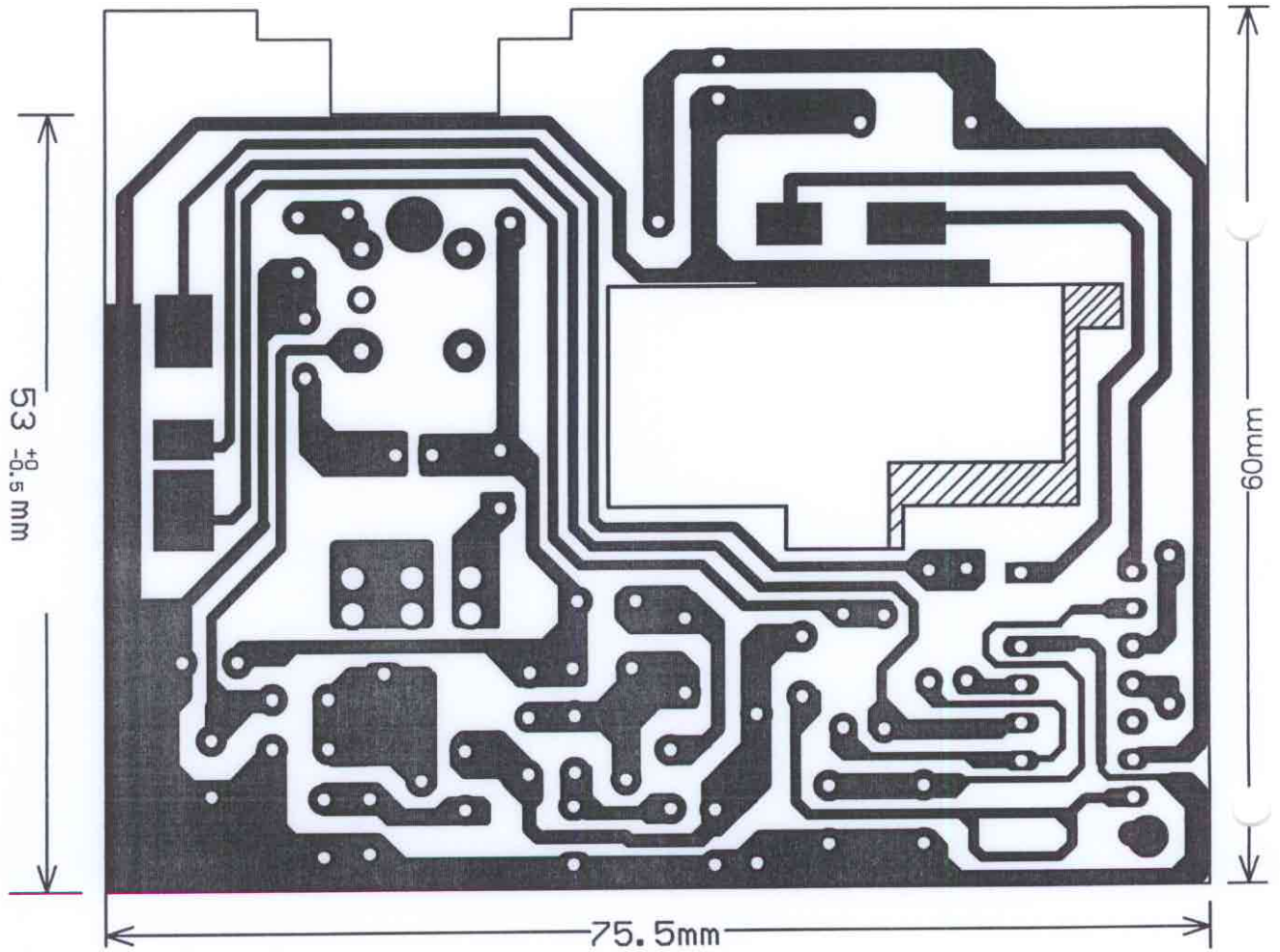


Part Cross Reference Report For : tx649.xrf 30-Jul-2003 22:06:13

Designator Component

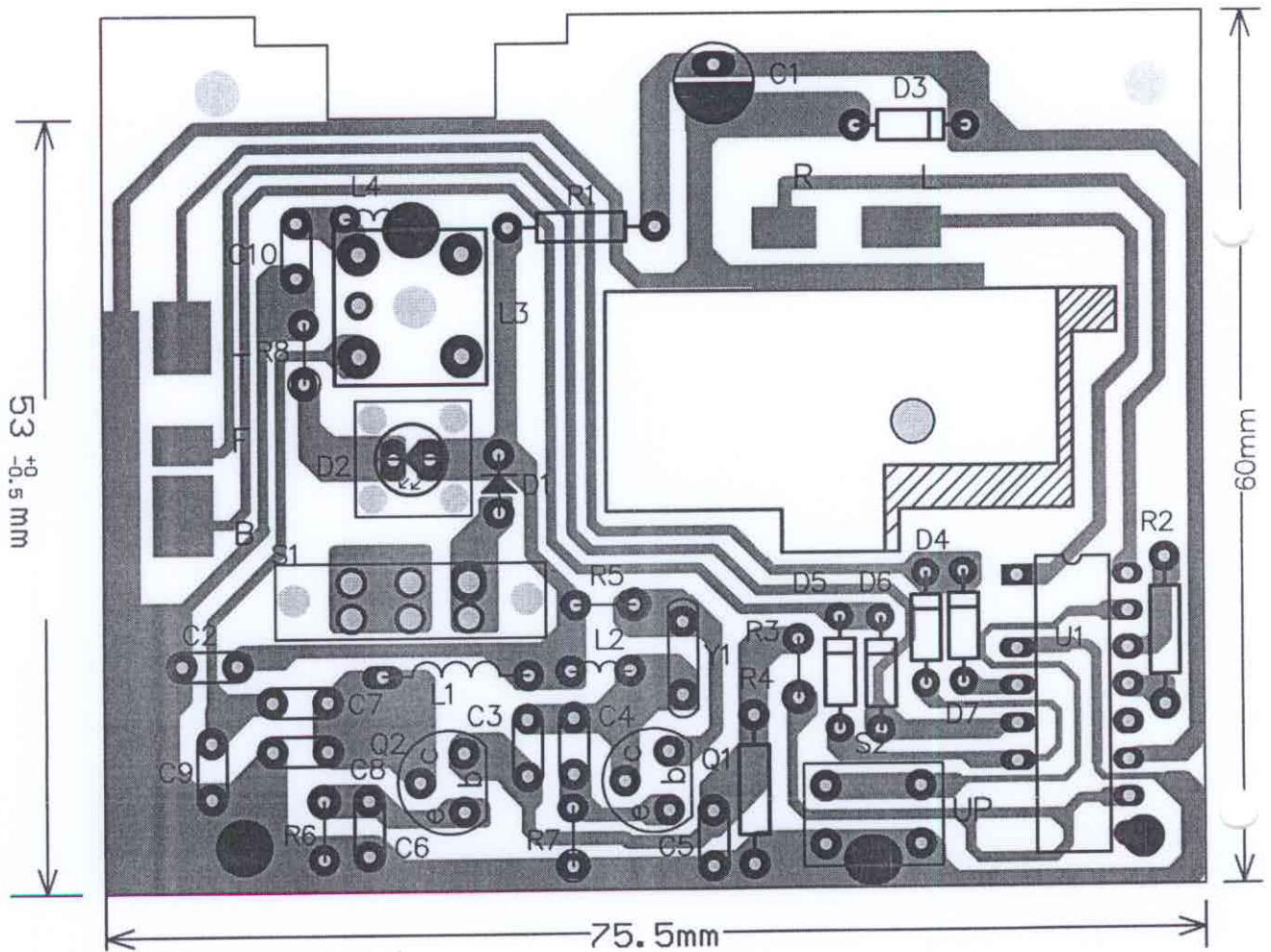
ANT	6A6B
C1	47uF
C2	403P(C)
C3	47P
C4	27P
C5	47P
C6	103C
C7	47P
C8	10P
C9	82P
C10	56P
D1	1N4148
D2	LED(RED)
D3	1N5230(4.7V)
D4	1N4148
D5	1N4148
D6	1N4148
D7	1N4148
L1	2.2 uH
L2	1 uH
L3	4T
L4	2.2uH
Q1	945P
Q2	945P
R1	330 ohm
R2	180K
R3	10K
R4	20K
R5	470K
R6	100 OHM
R7	100 ohm
R8	1K
S1	RIGHT
S2	LEFT
S3	BACKWARD
S4	FORWARD
S5	TURBO
S6	UP
S7	SW SPST
U1	TX-6
Y1	49.860MHZ
PCB	TX6

Title:TX6.PCB
BOTTOM LAYER
PRINT SCALE: 2



Comment

Title:TX6.PCB
ALL LAYER
PRINT SCALE: 2



Comment