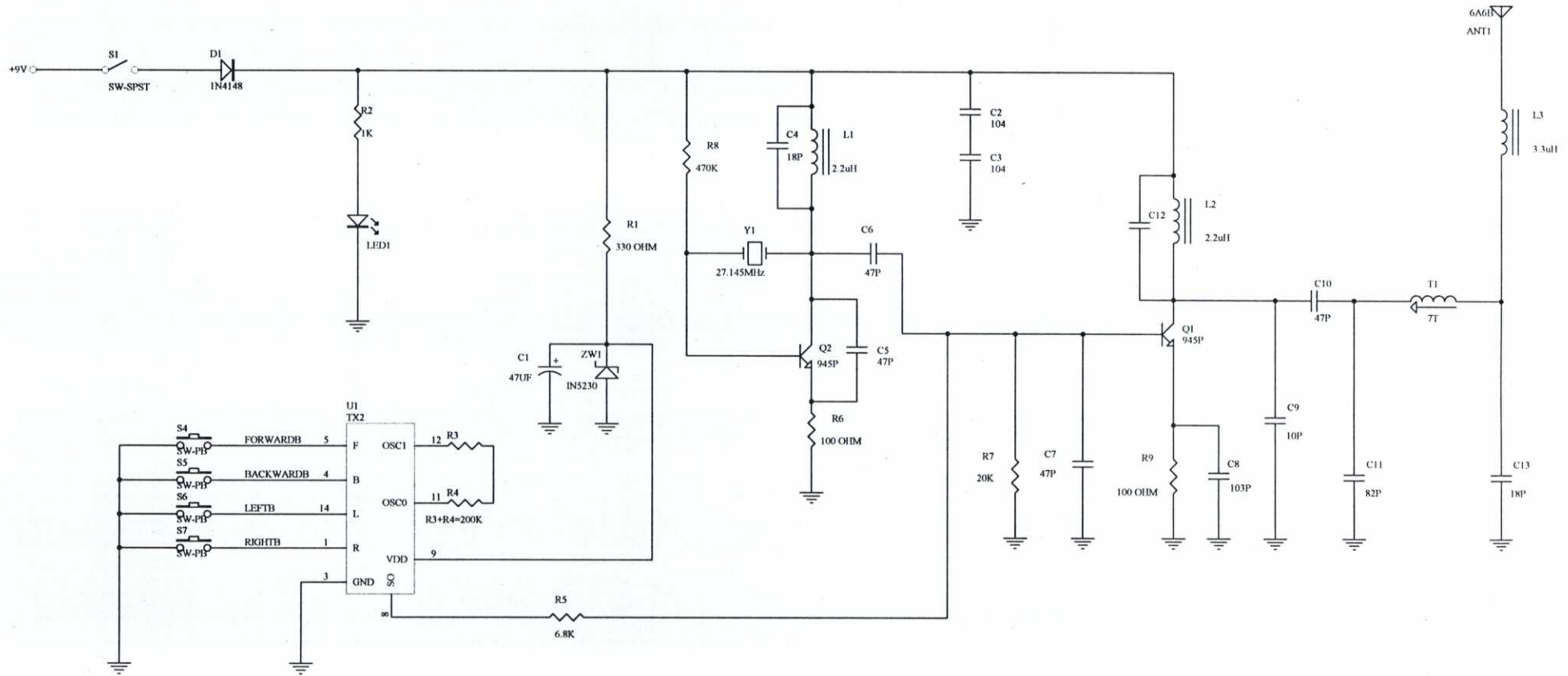


TX06011 27.145MHz



Title		TX06011	
Size	Number	Revision	
OrCAD B			
Date:	13-Oct-2007	Sheet of	
File:	D:\19801\19801Design.ddb	Drawn By:	