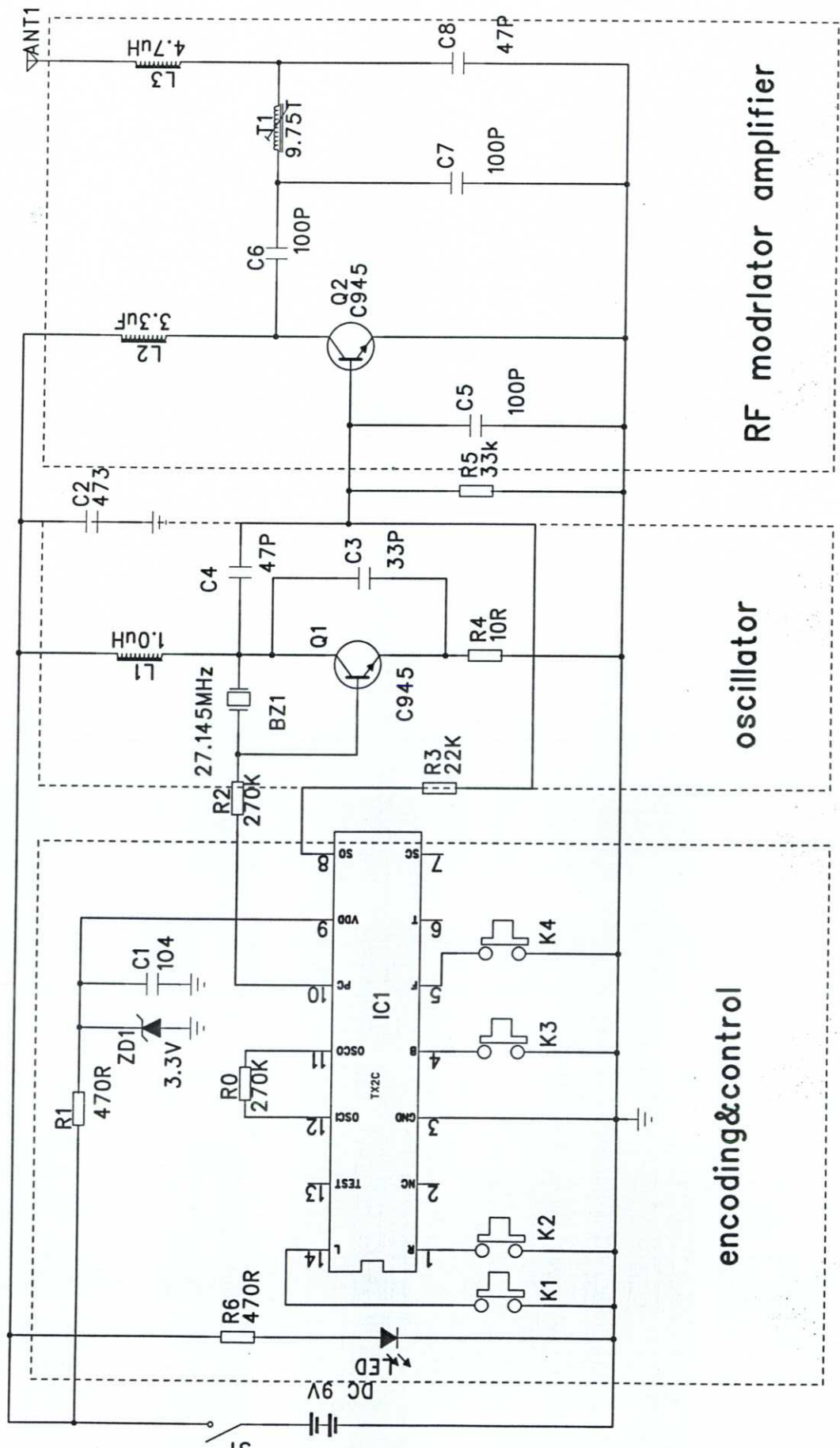


# T-20046 27MHz Transmitter Circuit Diagram

REVISION RECORD	
LTR	APPROVED: DATE:



6 5 4 3 2 1

D C B A

D C B A