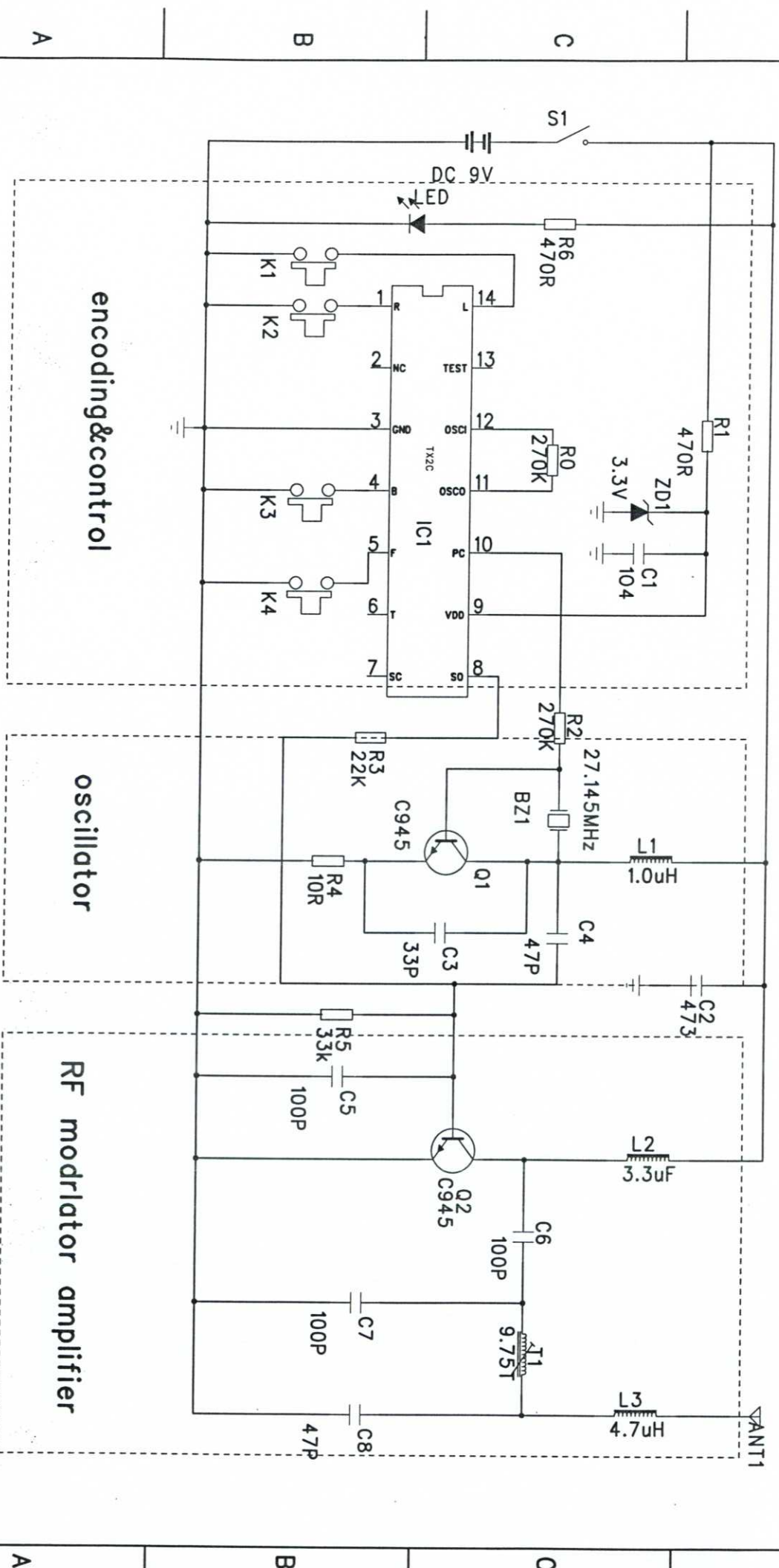


# T-20046 27MHz Transmitter Circuit Diagram

REVISION RECORD			
LTR	ECO NO.	APPROVED:	DATE:



A

B

C

D

A

B

C

D