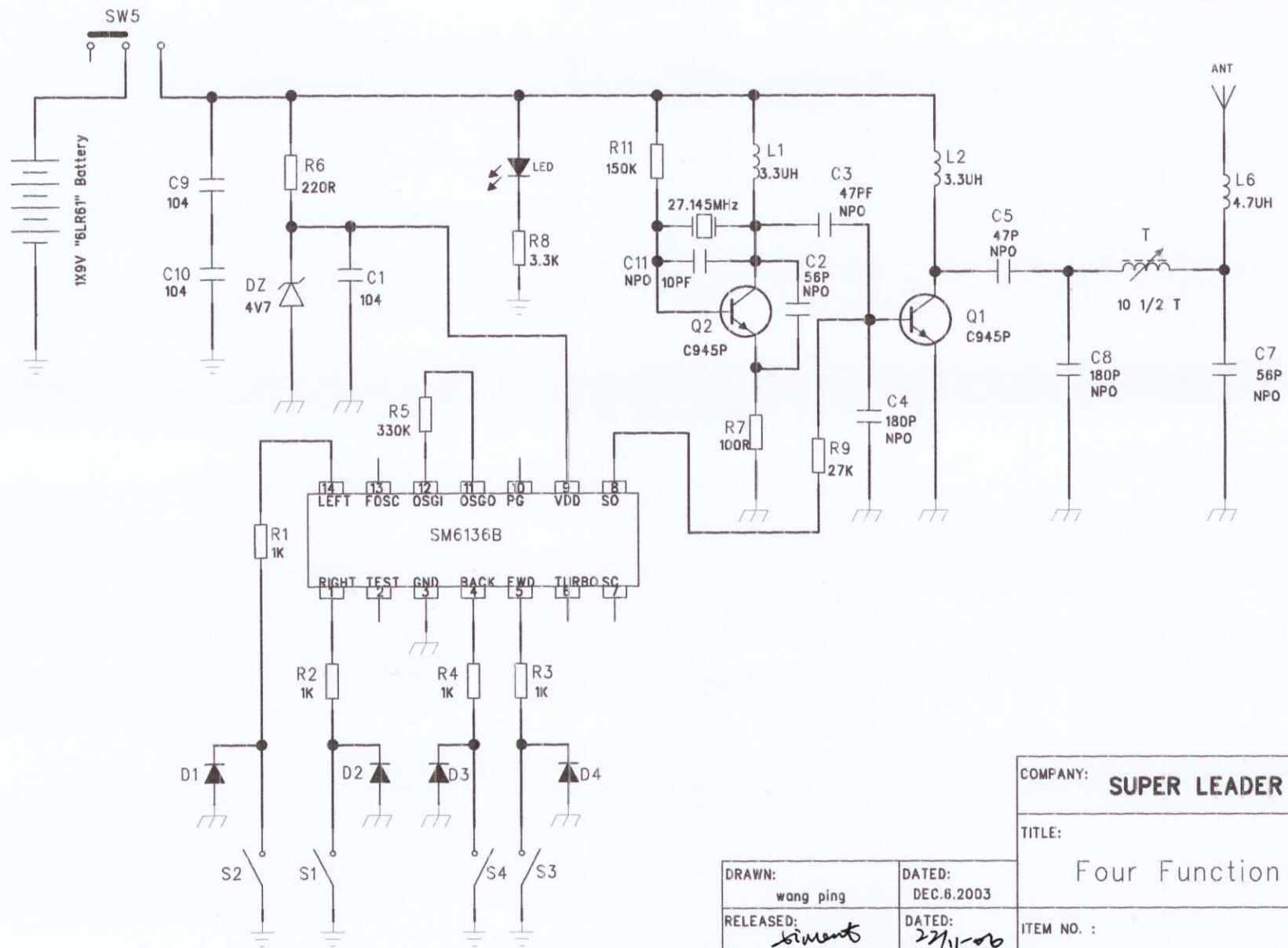


REVISION RECORD			
LTR	ECO NO:	APPROVED:	DATE:



COMPANY: SUPER LEADER INDUSTRIAL LIMITED			
TITLE: Four Function Radio Controller			
DRAWN: wang ping		DATED: DEC.6.2003	
RELEASED: <i>Wang Ping</i>		DATED: 27/11/06	
ITEM NO. : 14004-TX-27M		PROJECT NO. : SW161	
PCB NO. : SX-P9500T161		SHEET: 1 OF 1	

DRAWN:	wang ping	DATED:	DEC.6.2003
RELEASED:	<i>Wang Ping</i>	DATED:	27/11/06