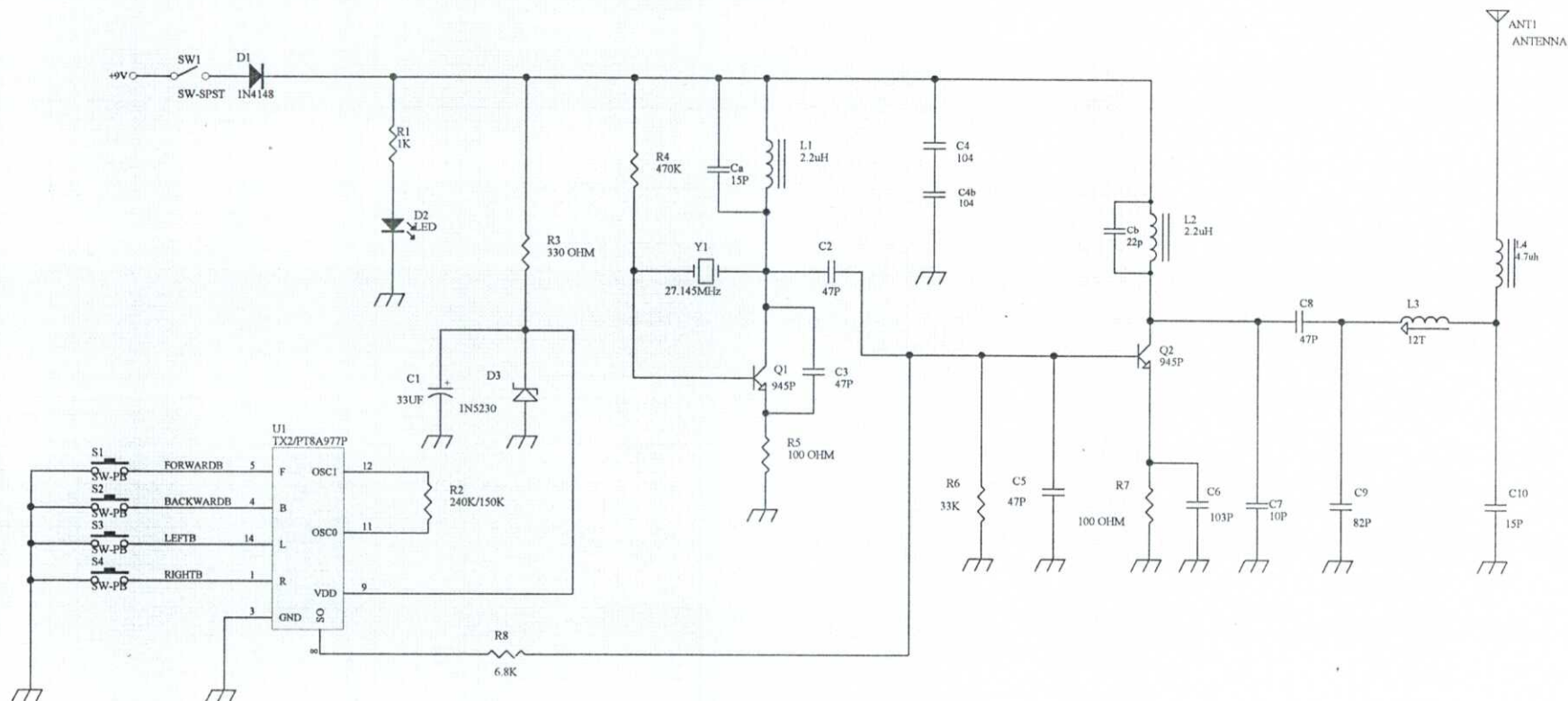


# TX2007 27.145MHz



Title			TX2007-27.145M.SCH		
Size	Number	Revision		01	
Orcad B					
Date	2-Jan-2000	Sheet of			
File	E:\sq\反斗车.ddb	Drawn By:		TANG YUAN SONG	