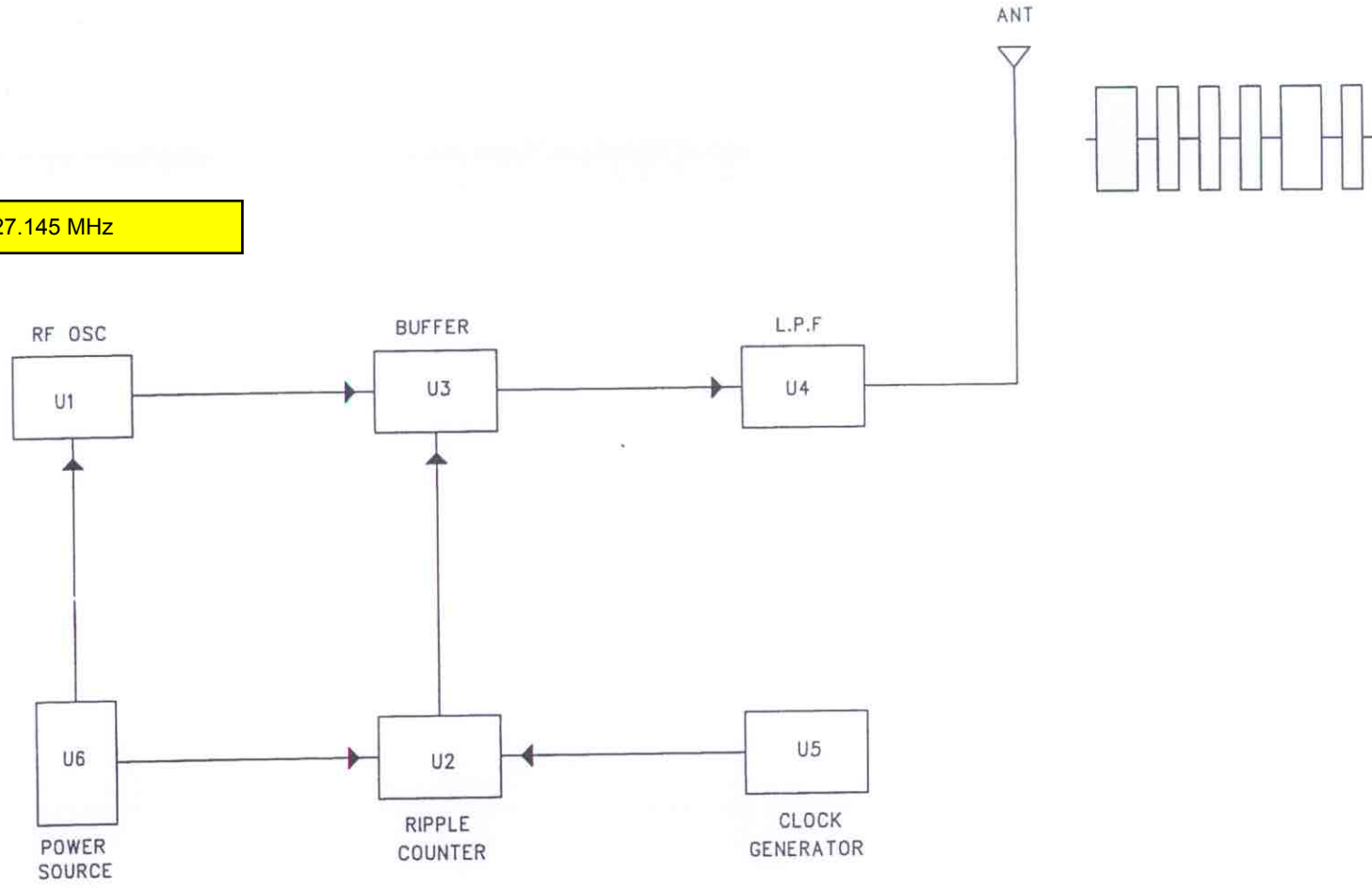


27.145 MHz



R&TTE

KA WAH MANUFACTORY LIMITED		
TITLE: 6128 Transmitter Block Diagram		
SIZE: A4	DRAWING NO: 931113	REV: 1
DATE: October 25, 2002	SHEET 1 OF 1	