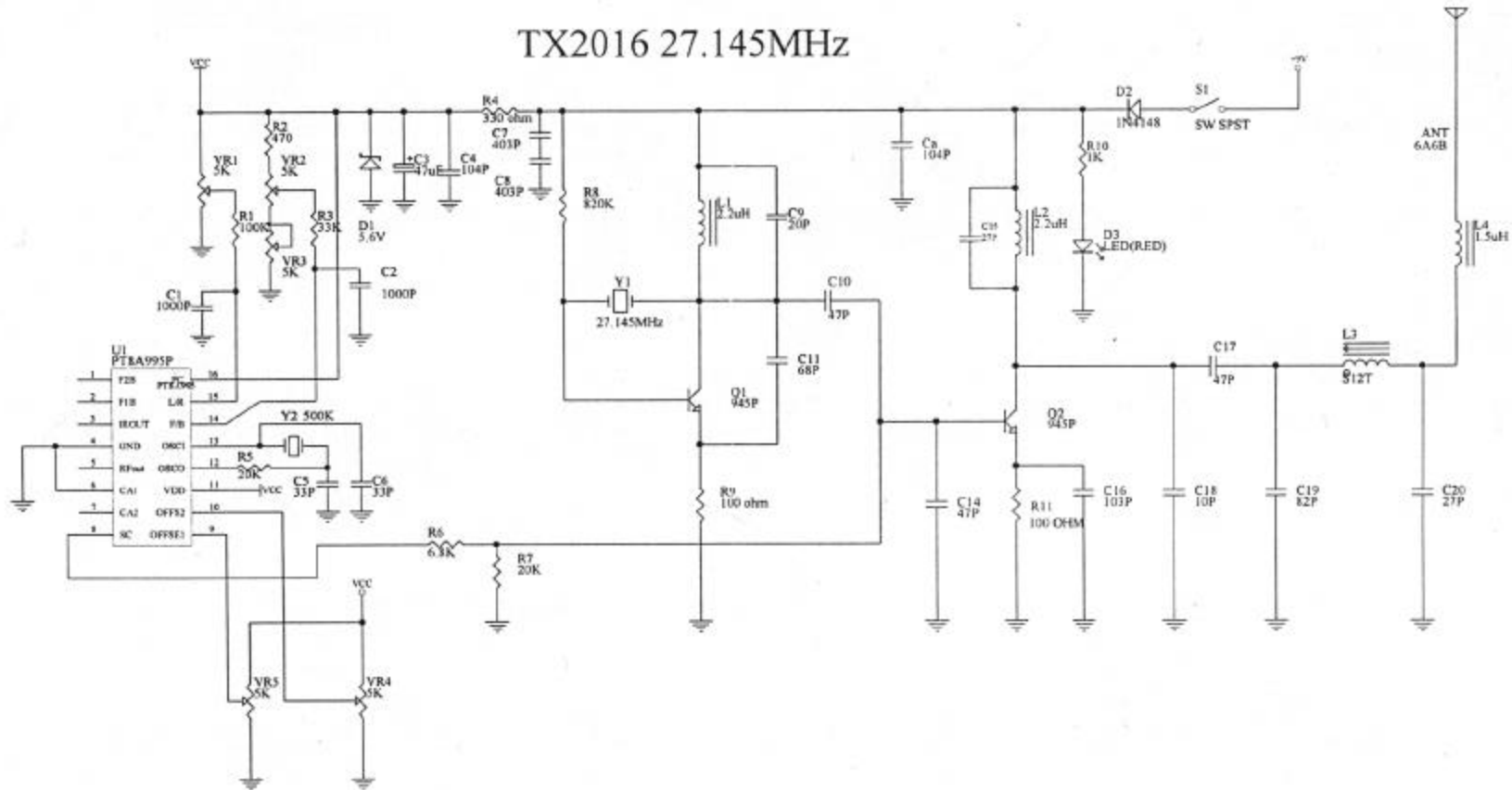


Modul 27044 F. USA

24.10.02

TX2016 27.145MHz



Title		
TX2016 27MHz		
Size	Number	Revision
A3		01
Date	8/10/2002	Sheet of
File	G:\9840c\TX2016\TX2016 136	Drawn by
		TANG YUAN SHEN