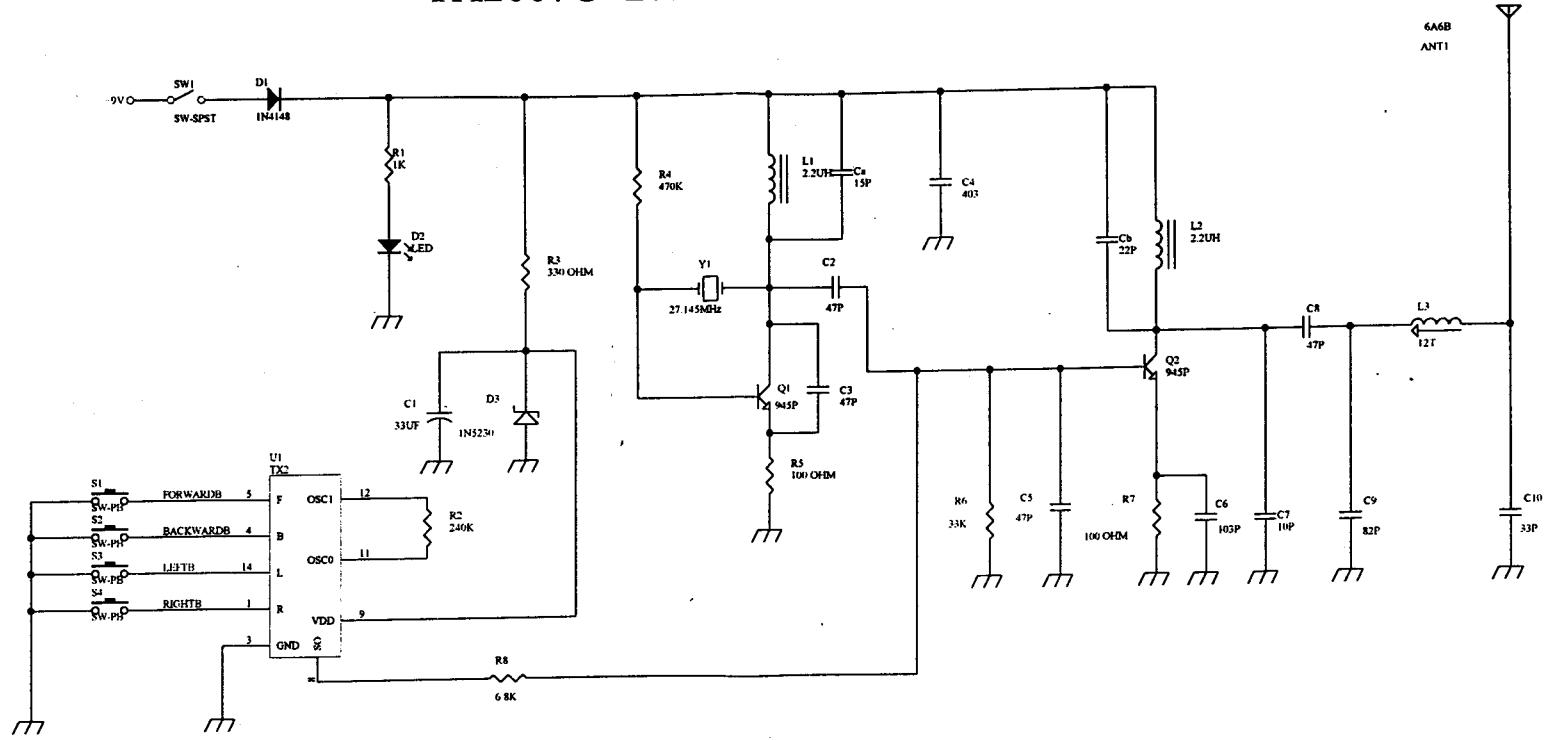


B2: Model 24035

8. 2. 00

TX2007U 27.145MHz



Title	TX2007U-27M.SCH		
Size	Number	Revision	01
Orcad B			
Date	28-Nov-2000	Sheet of	
File	F:\84ain\2001-19\src\tx2007u1.DDB	Drawn By	