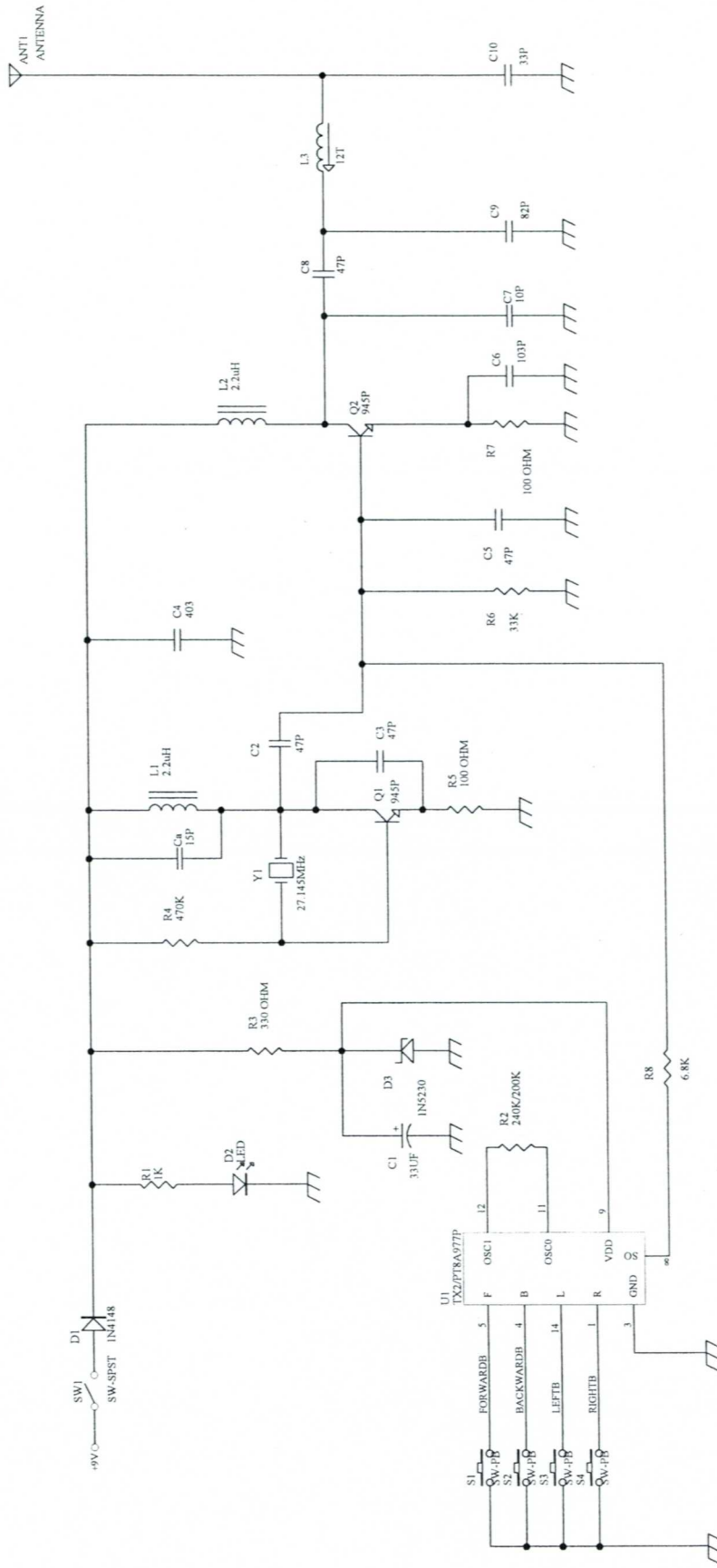


ART. NO. 19971 (27 MHz) For FCC APPROVAL.

MLB 27024 TX

TX2006U 27.145MHz



Title	TX2006U-27M.SCH
Size	Number
Sheet of	Revision
Date	4-Oct-2004
File	F:\proj\TX2006u\DDH
	Drawn by TANG YUAN SONG