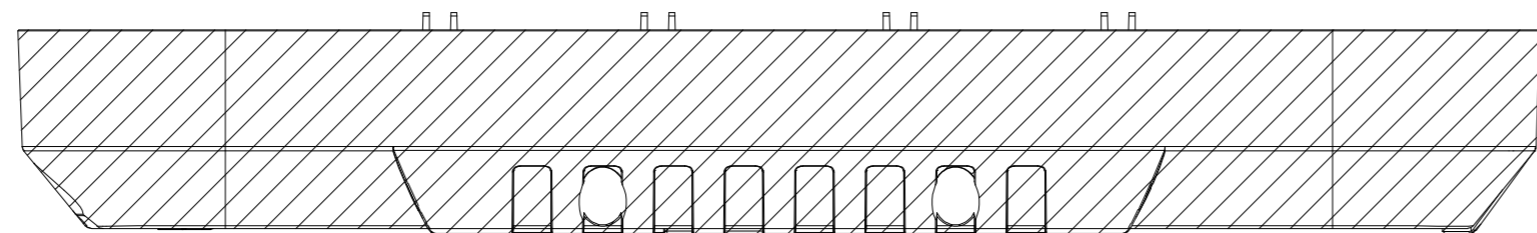


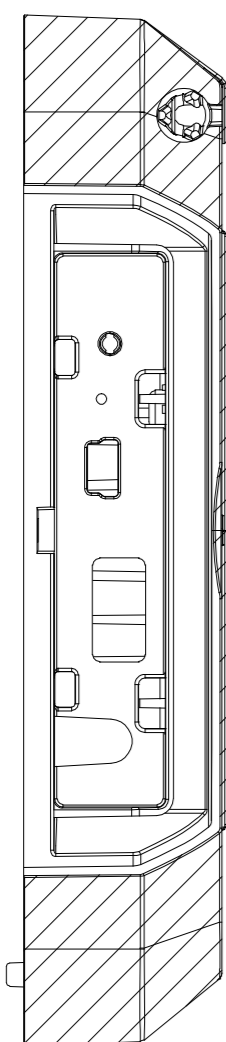
NO.	Date	Description	Rev.	Remark

A



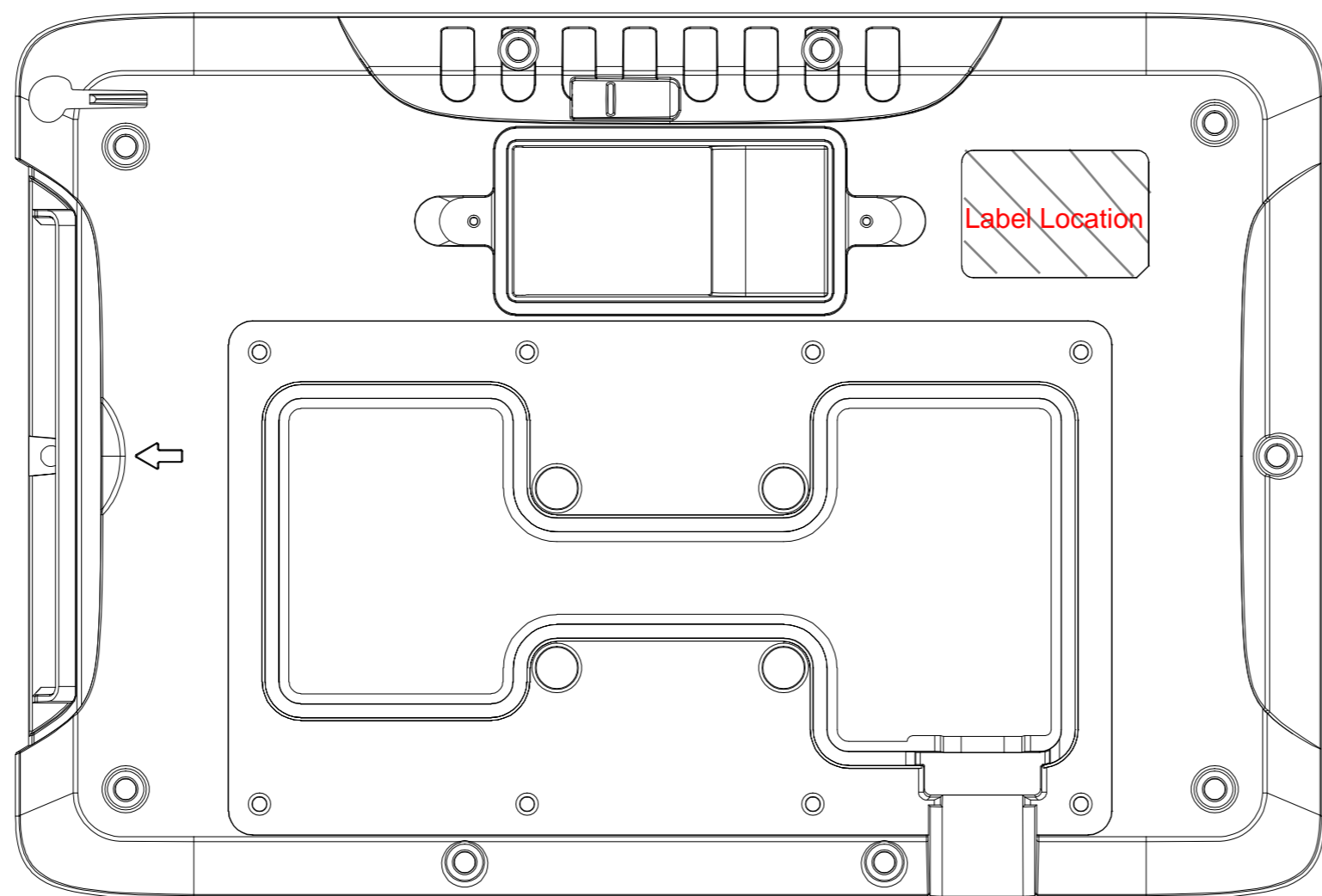
A

B



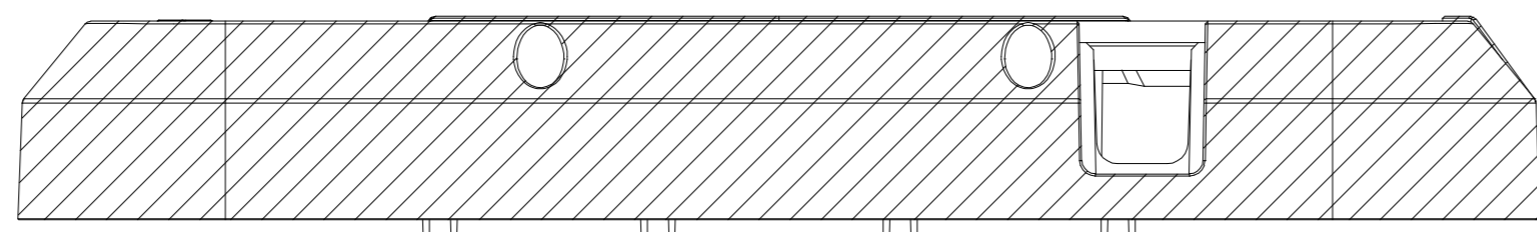
B

C

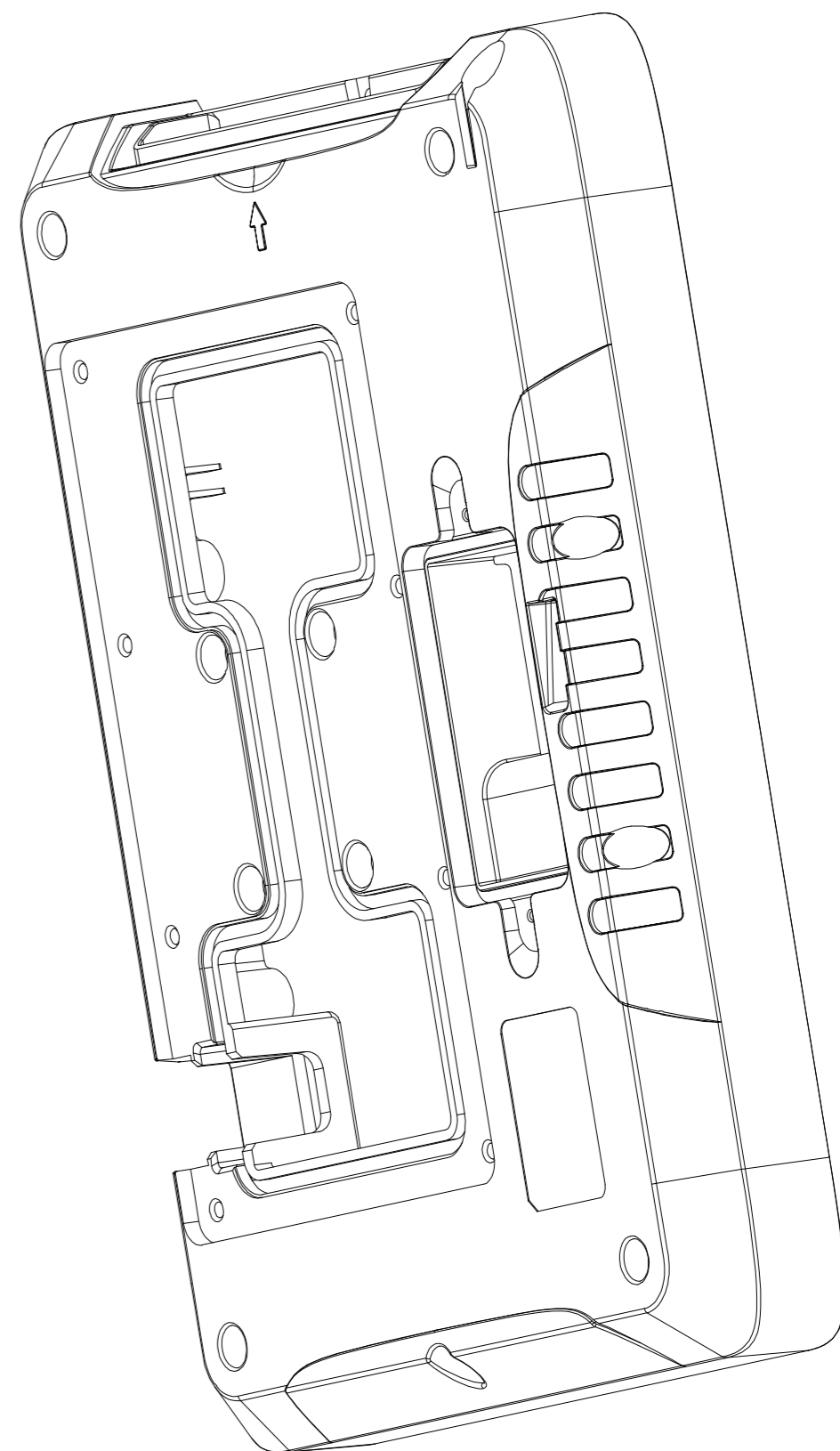
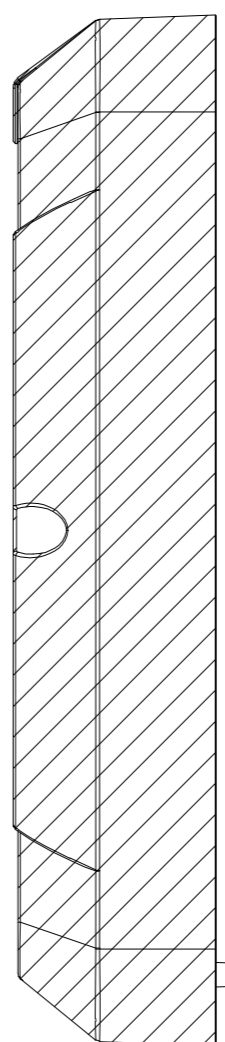


C

D



D



名称: 后壳 材料: PC/ABS A2200FR-RC 黑色(Black C) 用量: 1 单位: PCS 工艺: 注塑 蚀纹(GW-11284)

Drawn :Yanni 09-May-13

Designed:Yanni

Checked :

Approved:

Description: Cover-Back

DIMENSIONAL TOLERANCES:

	(1)	(2)	(3)
0 - 4	±0.02	±0.05	±0.10
4 - 16	±0.05	±0.08	±0.15
16 - 63	±0.08	±0.12	±0.25
63 - 200	±0.12	±0.20	±0.40
200-500	±0.20	±0.40	±0.80

ANGLES : ±0.5°



SIZE: A2

PART NO.: CR06K0000

REV.

SCALE 1:1 UNIT MM USE ON:

SHEET 2 OF 2

B/3

2

3

4

5