

PART IV

(For Antenna 4:Vendor:Long-Chu, Model:DBA-IPEX-01)

Test Report for FCC Part 15 Subpart B & C & E

of

WLAN a+b+g mini-PCI Module

Model

CM9

(Brand: Wistron NeWeb)

Applied by:

Wistron Neweb Corporation
No. 10-1, Li-hsin Road 1,
Science-based Indus
Taiwan, R. O. C.

Test Performed by:

International Standards Laboratory

No. 120, Lane 180, San Ho Tsuen, Hsin Ho Rd.
Lung-Tan Hsiang, Tao Yuan County 325
Taiwan, R.O.C.
Tel:(03)407-1718 Fax:(03)407-1738

Report Number: ISL-04LR018FC

Issue Date: 2004/05/26

HC LAB:NVLAP:200234-0;VCCI: R-341,C-354;NEMKO:ELA 113a,113c;BSMI:SL2-IN-E-0037;SL2-R1-E-0037;CNLA:1178

LT LAB:NVLAP:200234-0;VCCI: R-1435,C-1440;NEMKO:ELA 113b,113d;BSMI:SL2-IN-E-0013;CNLA:0997

ISL-T10-R29-1

Contents of Report

1. General 1

1.1 Certification of Accuracy of Test Data..... 1

2. TEST RESULTS (802.11a) 2

2.1 Maximum Peak Output Power [Section 15.407 (a)(1)(2)(3)]..... 2

2.1.1 Test Procedure..... 2

2.1.2 Test Setup 2

2.1.3 Test Data: (Normal Mode)..... 2

2.1.4 Test Data: (Turbo Mode)..... 2

2.2 Peak Power Spectral Density [Section 15.407(a)(1)(2)(3)] 3

2.2.1 Test Procedure..... 3

2.2.2 Test Setup 3

2.2.3 Test Data: (Normal Mode)..... 3

2.2.4 Test Data: (Turbo Mode)..... 3

2.3 Peak Power Excursion Measurement [Section 15.407(a)(6)]..... 4

2.3.1 Test Procedure..... 4

2.3.2 Test Setup 4

2.3.3 Test Data: (Normal Mode)..... 4

2.3.4 Test Data: (Turbo Mode)..... 4

2.4 Powerline Conducted Emissions [Section 15.207 & 15.407 (b)(5)] 5

2.4.1 EUT Configuration..... 5

2.4.2 Test Procedure..... 5

2.4.3 EMI Receiver/Spectrum Analyzer Configuration (for the frequencies tested)..... 5

2.4.4 Test Data:..... 6

2.5 Radiated Emission Measurement [Section 15.209 & 15.407(b)(5)] 7

2.5.1 EUT Configuration..... 7

2.5.2 Test Procedure..... 7

2.5.3 EMI Receiver/Spectrum Analyzer Configuration..... 7

2.5.4 Test Data (30MHz – 1GHz) 8

2.5.5 Test Data (1GHz – 40 GHz, Transmitting) 9

2.6 Band Edge Measurement (Section 15.407 (b) (1) (2))..... 20

2.6.1 Test Procedure (Conducted)..... 20

2.6.2 Test Setup (Conducted)..... 20

2.6.3 Test Data (conducted):..... 20

2.6.4 Bandedge Measurement Test Procedure (Radiated)..... 21

2.6.5 Test Setup (Radiated)..... 22

2.6.6 Test Data (Radiated):..... 23

2.7 RF Exposure Measurement [Section 15.407(f)(4) & 1.1307(b)]...... 33

2.8 Frequency Stability [Section 15.407(g)] 34

2.8.1 Limits of Frequency Stability Measurement..... 34

2.8.2 Test Procedure..... 34

2.8.3 Test Setup 34

2.8.4 Test Data 35

3. TEST RESULTS (802.11b) 36

3.1 Powerline Conducted Emissions [Section 15.207] 36

3.1.1 EUT Configuration..... 36

3.1.2 Test Procedure..... 36

3.1.3 EMI Receiver/Spectrum Analyzer Configuration (for the frequencies tested)..... 36

3.1.4 Test Data:..... 37

3.2 Bandwidth for DSSS [Section 15.247 (a)(2)]..... 38

3.2.1 Test Procedure..... 38

3.2.2 Test Setup 38

3.2.3 Test Data:..... 38

3.3 DSSS Maximum Peak Output Power [Section 15.247 (b)(1)]..... 39

3.3.1 Test Procedure..... 39

3.3.2 Test Setup 39

3.3.3 Test Data..... 39

3.4 Radiated Emission Measurement [Section [15.247(c)(4)] 40

3.4.1 EUT Configuration..... 40

3.4.2 Test Procedure..... 40

3.4.3 EMI Receiver/Spectrum Analyzer Configuration (for the frequencies tested)..... 40

3.4.4 Test Data (30MHz – 1GHz):..... 41

3.4.5 Test Data (1GHz – 25 GHz) 42

3.5 Band Edge Measurement 45

3.5.1 Test Procedure (Conducted)..... 45

3.5.2 Test Setup (Conducted)..... 45

3.5.3 Test Data:..... 45

3.5.4 Test Procedure (Radiated)..... 46

3.5.5 Test Setup (Radiated)..... 46

3.5.6 Test Data..... 47

3.6 RF Exposure Measurement [Section 15.247(b)(4) & 1.1307(b)]..... 50

3.7 DSSS Peak Power Spectral Density [Section 15.247(d)]..... 51

3.7.1 Test Procedure..... 51

3.7.2 Test Setup 51

3.7.3 Test Data..... 51

4. TEST RESULTS (802.11g) 52

4.1 Powerline Conducted Emissions [Section 15.207] 52

4.1.1 EUT Configuration..... 52

4.1.2 Test Procedure..... 52

4.1.3 EMI Receiver/Spectrum Analyzer Configuration (for the frequencies tested)..... 52

4.1.4 Test Data:..... 53

4.2 Bandwidth for DSSS [Section 15.247 (a)(2)]..... 54

4.2.1 Test Procedure..... 54

4.2.2 Test Setup 54

4.2.3 Test Data:..... 54

4.3 DSSS Maximum Peak Output Power [Section 15.247 (b)(1)]..... 55

4.3.1 Test Procedure..... 55

4.3.2 Test Setup 55

4.3.3 Test Data..... 55

4.4 Radiated Emission Measurement [Section [15.247(c)(4)] 56

4.4.1 EUT Configuration..... 56

4.4.2 Test Procedure..... 56

4.4.3 EMI Receiver/Spectrum Analyzer Configuration (for the frequencies tested)..... 56

4.4.4 Test Data (30MHz – 1GHz):..... 57

4.4.5 Test Data (1GHz – 25 GHz) 58

4.5 Band Edge Measurement 61

4.5.1 Test Procedure (Conducted)..... 61

4.5.2 Test Setup (Conducted)..... 61

4.5.3 Test Data:..... 61

4.5.4 Test Procedure (Radiated)..... 62

4.5.5 Test Setup (Radiated)..... 62

4.5.6 Test Data..... 63

4.6 RF Exposure Measurement [Section 15.247(b)(4) & 1.1307(b)]..... 66

4.7 DSSS Peak Power Spectral Density [Section 15.247(d)] 67

4.7.1 Test Procedure..... 67

4.7.2 Test Setup 67

4.7.3 Test Data..... 67

4.8 Appendix : Antenna Spec..... 68

1. General

1.1 Certification of Accuracy of Test Data

Standards: CFR 47 Part 15 Subpart B Class B
 CFR 47 Part 15 Subpart C (Section 15.247)
 CFR 47 Part 15 Subpart E (Section 15.407)

Test Procedure: ANSI C63.4: 2001

Equipment Tested: WLAN a+b+g mini-PCI Module

Model: CM9

Applied by: Wistron Neweb Corporation

Sample received Date: 2004/05/10

Final test Date : 2004/05/11-2004/05/20

Test Site: Chamber 02, Conduction 02

Temperature Refer to each site test data

Humidity: Refer to each site test data

Test Engineer: Mailes Hsieh

All the tests in this report have been performed and recorded in accordance with the standards described above and performed by an independent electromagnetic compatibility consultant, International Standards Laboratory.

The test results contained in this report accurately represent the the measurements of the characteristics and the energy generated by sample equipment under test at the time of the test. The sample equipment tested as described in this report is in compliance with the limits of above standards.

Approve & Signature



 Eddy Hsiung/Director

Test results given in this report apply only to the specific sample(s) tested under stated test conditions.
 This report shall not be reproduced other than in full without the explicit written consent of ISL.
 This report totally contains 4 parts, this part totally 72 pages, including 1 cover page , 3 contents page, and 68 pages for the test description.
 This report must not be use to claim product endorsement by NVLAP or any agency of the U.S. Government.

This test data shown below is traceable to NIST or national or international standard.
 International Standards Laboratory certifies that no party to this application has been denied the FCC benefits pursuant to Section 5301 of the Anti-Drug Abuse Act of 1988, 21 U.S.C. 853(a).

2. TEST RESULTS (802.11a)

2.1 Maximum Peak Output Power [Section 15.407 (a)(1)(2)(3)]

2.1.1 Test Procedure

The transmitter output of EUT was connected to the peak power analyzer.

2.1.2 Test Setup



Frequency Band	Limit
5.15 – 5.25 GHz	The lesser of 50mW (17dBm) or 4dBm+10logB
5.25 – 5.35GHz	The lesser of 250mW (24dBm) or 11dBm+10logB
5.725-5.825GHz	The lesser of 1W (30dBm) or 17dBm+10logB

Note: B is the 26dB emission bandwidth in MHz

2.1.3 Test Data: (Normal Mode)

Please refer to ISL report 04LR018FC part 1

2.1.4 Test Data: (Turbo Mode)

Please refer to ISL report 04LR018FC part 1.

2.2 Peak Power Spectral Density [Section 15.407(a)(1)(2)(3)]

2.2.1 Test Procedure

1. The Transmitter output of EUT was connected to the spectrum analyzer.
Equipment mode: Spectrum analyzer
Detector function: Peak mode
SPAN: 30MHz or 50MHz
RBW: 1MHz
VBW: 3MHz
Sweep time: 30 or 50 sec.
Center frequency: fundamental frequency tested
2. Peak search was read to the peak power after maximum hold function is completed.

2.2.2 Test Setup



2.2.3 Test Data: (Normal Mode)

Please refer to ISL report 04LR018FC part 1

2.2.4 Test Data: (Turbo Mode)

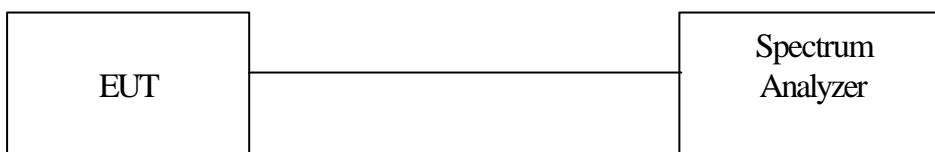
Please refer to ISL report 04LR018FC part 1

2.3 Peak Power Excursion Measurement [Section 15.407(a)(6)]

2.3.1 Test Procedure

1. The Transmitter output of EUT was connected to the spectrum analyzer.
2. Frequency SPAN of Spectrum: 30MHz or 50MHz.
3. Trace 1 : RBW: 1MHz, VBW: 1MHz. Using peak detector and Max -hold
4. Trace 2 : RBW: 1MHz, VBW:30KHz. Using peak detector and Max-hold
5. Record the largest difference between Trace 1 and Trace 2.

2.3.2 Test Setup



2.3.3 Test Data: (Normal Mode)

Please refer to ISL report 04LR018FC part 1.

2.3.4 Test Data: (Turbo Mode)

Please refer to ISL report 04LR018FC part 1.

2.4 Powerline Conducted Emissions [Section 15.207 & 15.407 (b)(5)]

2.4.1 EUT Configuration

The EUT was set up on the non-conductive table that is 1.0 by 1.5 meter, 80cm above ground. The wall of the shielded room was located 40cm to the rear of the EUT.

Power to the EUT was provided through the LISN. The impedance vs. frequency characteristic of the LISN is complied with the limit shown on the figure 1 of ANSI C63.4-2001.

Both lines (neutral and hot) were connected to the LISN in series at testing. A coaxial-type connector which provides one 50 ohms terminating impedance was provided for connecting the test instrument. The excess length of the power cord was folded back and forth at the center of the lead so as to form a bundle not exceeding 40cm in length.

Any changes made to the configuration, or modifications made to the EUT, during testing are noted in the following test record.

If the EUT is a Personal Computer or a peripheral of personal computer, and the personal computer has an auxiliary AC outlet which can be used for providing power to an external monitor, then all measurements will be made with the monitor power from first the computer-mounted AC outlet and then a floor-mounted AC outlet.

2.4.2 Test Procedure

The system was set up as described above, with the EMI diagnostic software running. The main power line conducted EMI tests were run on the hot and neutral conductors of the power cord and the results were recorded. The effect of varying the position of the interface cables has been investigated to find the configuration that produces maximum emission.

At the frequencies where the peak values of the emissions were higher than 6dB below the applicable limits, the emissions were also measured with the quasi-peak detectors. At the frequencies where the quasi-peak values of the emissions were higher than 6dB below the applicable average limits, the emissions were also measured with the average detectors.

The highest emissions were analyzed in details by operating the spectrum analyzer in fixed tuned mode to determine the nature of the emissions and to provide information which could be useful in reducing their amplitude.

2.4.3 EMI Receiver/Spectrum Analyzer Configuration (for the frequencies tested)

Frequency Range:	150 KHz--30MHz
Detector Function:	Quasi-Peak/Average
Bandwidth (RBW):	9KHz

2.4.4 Test Data:

Please refer to ISL report 04LR018FC part 1.

2.5 Radiated Emission Measurement [Section 15.209 & 15.407(b)(5)]

2.5.1 EUT Configuration

The equipment under test was set up on the 10 meter chamber with measurement distance of 3 meters. The EUT was placed on a non-conductive table 80cm above ground.

Any changes made to the configuration, or modifications made to the EUT, during testing are noted in the following test record.

2.5.2 Test Procedure

The system was set up as described above, with the EMI diagnostic software running. We found the maximum readings by varying the height of antenna and then rotating the turntable. Both polarization of antenna, horizontal and vertical, are measured.

30M to 1GHz: The highest emissions between 30 MHz to 1000 MHz were also analyzed in details by operating the spectrum analyzer and/or EMI receiver in quasi-peak mode to determine the precise amplitude of the emissions. While doing so, the interconnecting cables and major parts of the system were moved around, the antenna height was varied between one and four meters, its polarization was varied between vertical and horizontal, and the turntable was slowly rotated, to maximize the emission.

1GHz – 40GHz: The highest emissions were also analyzed in details by operating the spectrum analyzer and/or EMI receiver in peak mode to determine the precise amplitude of the emission. While doing so, the interconnecting cables and major parts of the system were moved around, the antenna height was varied between one and four meters, its polarization was varied between vertical and horizontal, and the turntable was slowly rotated, to maximize the emission. During test the EMI receiver and spectrum was setup according to para. 6.5.3.

For the test of 2nd to 10th harmonics frequencies, the equipment setup was also refer to para.6.5.3. The frequencies were tested using Peak mode first, if the test data is higher than the emissions limit, an additional measurement using Average mode will be performed and the average reading will be compared to the limit and record in test report.

2.5.3 EMI Receiver/Spectrum Analyzer Configuration

Frequency Range Tested:	30MHz~1000MHz
Detector Function:	Quasi-Peak Mode
Resolution Bandwidth (RBW):	120KHz
Video Bandwidth (VBW)	1MHz
Frequency Range Tested:	1GHz – 40 GHz
Detector Function:	Peak Mode
Resolution Bandwidth (RBW):	1MHz
Video Bandwidth (VBW)	1MHz
Frequency Range Tested:	30MHz – 40 GHz
Detector Function:	Average Mode
Resolution Bandwidth (RBW):	1MHz
Video Bandwidth (VBW)	10 Hz

2.5.4 Test Data (30MHz – 1GHz) .

30M – 1GHz Open Field Radiated Emissions (Horizontal)

Operator: Mailes Hsieh

Humidity (%): 46
Temperature (C): 25

Frequency	Rx_R.	Ant_F.	Cab_L.	PreAmpl	Emission	Limit	Margin	A.Tower	T.Table
MHz	dBuV	dB/m	dB	dB	dBuV/m	dBuV/m	dB	cm	deg
99.84	22.17	10.27	3.02	0.00	35.46	43.50	-8.04	200.00	353.00
198.78	24.31	8.86	4.18	0.00	37.35	43.50	-6.15	100.00	353.00
231.76	26.77	9.21	4.48	0.00	40.47	46.00	-5.53	200.00	10.00
298.69	21.66	13.57	4.69	0.00	39.92	46.00	-6.08	100.00	304.00
364.65	22.13	14.80	5.07	0.00	42.00	46.00	-4.00	100.00	207.00
398.6	19.30	15.95	5.31	0.00	40.57	46.00	-5.43	150.00	223.00
431.58	19.03	16.25	5.61	0.00	40.89	46.00	-5.11	100.00	174.00
464.56	14.85	16.78	5.87	0.00	37.50	46.00	-8.50	100.00	10.00
564.47	13.98	19.04	6.57	0.00	39.59	46.00	-6.41	100.00	108.00
865.17	6.78	20.54	8.25	0.00	35.57	46.00	-10.43	100.00	125.00

30M – 1GHz Open Field Radiated Emissions (Vertical)

Operator: Mailes Hsieh

Humidity (%): 46
Temperature (C): 25

Frequency	Rx_R.	Ant_F.	Cab_L.	PreAmpl	Emission	Limit	Margin	A.Tower	T.Table
MHz	dBuV	dB/m	dB	dB	dBuV/m	dBuV/m	dB	cm	deg
32.91	9.77	16.62	1.53	0.00	27.92	40.00	-12.08	150.00	182.00
134.76	17.75	10.92	3.53	0.00	32.20	43.50	-11.30	100.00	314.00
231.76	20.00	9.21	4.48	0.00	33.70	46.00	-12.30	100.00	95.00
365.62	15.23	14.83	5.08	0.00	35.13	46.00	-10.87	250.00	231.00
431.58	12.95	16.25	5.61	0.00	34.80	46.00	-11.20	100.00	264.00
497.54	13.05	17.64	6.04	0.00	36.73	46.00	-9.27	200.00	346.00
643.04	7.68	19.07	7.00	0.00	33.76	46.00	-12.24	250.00	297.00
651.77	13.86	19.10	7.04	0.00	40.00	46.00	-6.00	250.00	314.00
660.5	9.04	19.08	7.07	0.00	35.18	46.00	-10.82	100.00	281.00
863.23	7.08	20.55	8.23	0.00	35.86	46.00	-10.14	100.00	68.00

* NOTE:

During the pre-test, the EUT has been tested for Channel 1, 4, 5, 8, 9, 12 of Normal Mode and Channel 1, 2, 3, 4, 5 of Turbo mode and transmit from Main and Aux antenna respectively to get all the critical emission frequencies. In the final test all the critical emission frequencies has been tested and the test data are listed above.

Margin=Corrected Amplitude-Limit

Corrected Amplitude = Radiated Amplitude + Antenna Correction Factor + Cable Loss - Pre-Amplifier Gain

A margin of -8dB means that the emission is 8dB below the limit

All frequencies from 30MHz to 1GHz have been tested

2.5.5 Test Data (1GHz – 40 GHz, Transmitting) .

1GHz~ 40 GHz (Horizontal), Normal Mode, Channel 1 : 5180 MHz

Operator: Mailes Hsieh

RBW: 1 MHz
Humidity (%): 46
Temperature (C): 25

Frequency	Rx_R.	Ant_F.	Cab_L.	PreAmpl	Emission	Limit	Margin	A.Tower	T.Table
MHz	dBuV	dB/m	dB	dB	dBuV/m	dBuV/m	dB	cm	deg
1550.25	49.83	27.22	1.87	46.22	32.70	54.00	-21.30	101	74
2823.38	45.90	31.03	2.82	46.45	33.30	54.00	-20.70	102	302
3298.10	46.62	31.34	2.37	46.62	33.71	54.00	-20.29	103	280
7973.43	44.57	40.56	3.05	43.87	44.30	54.00	-9.70	100	251
10965.7	31.31	39.49	3.35	40.53	33.62	54.00	-20.38	102	225
16017.5	30.22	44.41	6.06	41.17	39.52	54.00	-14.48	102	195

1GHz~ 40 GHz (Vertical), Normal Mode, Channel 1: 5180 MHz

Operator: Mailes Hsieh

RBW: 1 MHz
Humidity (%): 46
Temperature (C): 25

Frequency	Rx_R.	Ant_F.	Cab_L.	PreAmpl	Emission	Limit	Margin	A.Tower	T.Table
MHz	dBuV	dB/m	dB	dB	dBuV/m	dBuV/m	dB	cm	deg
2395.40	47.15	30.92	2.67	46.21	34.53	54.00	-19.47	101	167
2916.88	46.17	31.07	2.82	46.52	33.54	54.00	-20.46	103	331
3046.35	46.22	31.14	2.75	46.59	33.52	54.00	-20.48	103	345
7804.40	45.61	40.33	3.14	44.67	44.41	54.00	-9.59	100	226
11504.2	31.84	40.71	3.35	41.60	34.30	54.00	-19.70	101	158
15997.9	30.05	44.39	6.05	41.14	39.35	54.00	-14.65	102	193

Note:

“ * ”: Fundamental Frequency

“ pk ”: peak reading

“ av ”: average reading

The Spectrum noise level+Correction Factor<Limit-6 dB

Margin = Corrected Amplitude – Limit

Corrected Amplitude=Radiated Amplitude+Antenna Correction Factor+Cable Loss-Pre-Amplifier Gain

A margin of -8dB means that the emission is 8dB below the limit.

All frequencies from 1GHz to 40 GHz have been tested.

The restricted band limit is 54dBuV, the out of band limit is 68.3dBuV. All test data can meet this both limit.

$$E = \frac{1000000 \cdot \sqrt{30P}}{3} \text{ mV / m, } -27\text{dBm EIRP} = 68.3 \text{ dBuV}$$

1GHz~ 40 GHz (Horizontal), Normal Mode, Channel 4: 5240 MHz

Operator: Mailes Hsieh

RBW: 1 MHz
Humidity (%): 46
Temperature (C): 25

Frequency MHz	Rx_R. dBuV	Ant_F. dB/m	Cab_L. dB	PreAmpl dB	Emission dBuV/m	Limit dBuV/m	Margin dB	A.Tower cm	T.Table deg
1467.53	51.74	26.65	1.82	46.21	34.01	54.00	-19.99	101	80
2859.34	46.23	31.04	2.82	46.48	33.62	54.00	-20.38	103	313
3150.65	45.84	31.22	2.59	46.60	33.06	54.00	-20.94	103	318
7203.80	43.77	39.43	3.13	46.22	40.11	54.00	-13.89	101	139
10765.0	31.75	39.45	3.34	40.66	33.88	54.00	-20.12	102	178
16007.7	30.40	44.40	6.05	41.15	39.71	54.00	-14.29	102	194

1GHz~ 40 GHz (Vertical), Normal Mode, Channel 4: 5240 MHz

Operator: Mailes Hsieh

RBW: 1 MHz
Humidity (%): 46
Temperature (C): 25

Frequency MHz	Rx_R. dBuV	Ant_F. dB/m	Cab_L. dB	PreAmpl dB	Emission dBuV/m	Limit dBuV/m	Margin dB	A.Tower cm	T.Table deg
2589.61	46.01	30.94	2.82	46.28	33.49	54.00	-20.51	102	228
2834.17	46.23	31.03	2.82	46.46	33.62	54.00	-20.38	103	305
2985.21	46.52	31.09	2.82	46.57	33.87	54.00	-20.13	103	352
7599.40	43.81	40.04	3.26	45.62	41.49	54.00	-12.51	100	197
10706.3	31.78	39.44	3.33	40.70	33.86	54.00	-20.14	102	165
15723.8	33.00	43.52	5.65	42.05	40.12	54.00	-13.88	101	140

Note:

“ * ”: Fundamental Frequency

“ pk ”: peak reading

“ av ”: average reading

The Spectrum noise level+Correction Factor<Limit-6 dB

Margin = Corrected Amplitude – Limit

Corrected Amplitude=Radiated Amplitude+Antenna Correction Factor+Cable Loss-Pre-Amplifier Gain

A margin of -8dB means that the emission is 8dB below the limit.

All frequencies from 1GHz to 40 GHz have been tested.

The restricted band limit is 54dBuV, the out of band limit is 68.3dBuV. All test data can meet this both limit.

$$E = \frac{1000000 \sqrt{30P}}{3} \text{ mV / m, } -27\text{dBm EIRP} = 68.3 \text{ dBuV}$$

1GHz~ 40 GHz (Horizontal), Normal Mode, Channel 5 : 5260 MHz

Operator: Mailes Hsieh

RBW: 1 MHz
Humidity (%): 46
Temperature (C): 25

Frequency	Rx_R	Ant_F	Cab_L	PreAmpl	Emission	Limit	Margin	A.Tower	T.Table
MHz	dBuV	dB/m	dB	dB	dBuV/m	dBuV/m	dB	cm	deg
2391.81	46.12	30.92	2.67	46.21	33.50	54.00	-20.50	101	166
2906.09	47.00	31.06	2.82	46.51	34.37	54.00	-19.63	103	328
3280.12	45.95	31.32	2.40	46.62	33.06	54.00	-20.94	103	285
8041.76	44.93	40.69	3.06	43.64	45.04	54.00	-8.96	100	245
10172.7	29.88	39.66	3.14	41.03	31.64	54.00	-22.36	101	40
15772.7	35.52	43.67	5.72	41.88	43.03	54.00	-10.97	102	149

1GHz~ 40 GHz (Vertical), Normal Mode, Channel 5 : 5260 MHz

Operator: Mailes Hsieh

RBW: 1 MHz
Humidity (%): 46
Temperature (C): 25

Frequency	Rx_R	Ant_F	Cab_L	PreAmpl	Emission	Limit	Margin	A.Tower	T.Table
MHz	dBuV	dB/m	dB	dB	dBuV/m	dBuV/m	dB	cm	deg
2391.81	47.54	30.92	2.67	46.21	34.92	54.00	-19.08	101	166
2737.06	46.38	30.99	2.82	46.39	33.81	54.00	-20.19	102	274
2931.27	46.63	31.07	2.82	46.53	34.00	54.00	-20.00	103	335
7973.43	43.79	40.56	3.05	43.87	43.52	54.00	-10.48	100	251
8493.71	34.43	41.69	3.38	42.49	37.01	54.00	-16.99	101	139
15767.8	39.55	43.66	5.72	41.90	47.03	54.00	-6.97	102	148

Note:

“ * ”: Fundamental Frequency

“ pk ”: peak reading

“ av ”: average reading

The Spectrum noise level+Correction Factor<Limit-6 dB

Margin = Corrected Amplitude – Limit

Corrected Amplitude=Radiated Amplitude+Antenna Correction Factor+Cable Loss-Pre-Amplifier Gain

A margin of -8dB means that the emission is 8dB below the limit.

All frequencies from 1GHz to 40 GHz have been tested.

The restricted band limit is 54dBuV, the out of band limit is 68.3dBuV. All test data can meet this both limit.

$$E = \frac{1000000 \sqrt{30P}}{3} \text{ mV/m}, -27\text{dBm EIRP} = 68.3 \text{ dBuV}$$

1GHz~ 40 GHz (Horizontal), Normal Mode, Channel 8: 5320 MHz

Operator: Mailes Hsieh

RBW: 1 MHz
Humidity (%): 46
Temperature (C): 25

Frequency MHz	Rx_R. dBuV	Ant_F. dB/m	Cab_L. dB	PreAmpl dB	Emission dBuV/m	Limit dBuV/m	Margin dB	A.Tower cm	T.Table deg
2916.88	46.08	31.07	2.82	46.52	33.45	54.00	-20.55	103	331
2956.44	46.30	31.08	2.82	46.55	33.66	54.00	-20.34	103	343
3129.07	45.95	31.20	2.63	46.60	33.18	54.00	-20.82	103	324
7840.36	44.57	40.38	3.12	44.50	43.57	54.00	-10.43	100	232
8527.97	34.30	41.66	3.37	42.49	36.84	54.00	-17.16	102	131
15944.1	33.56	44.22	5.97	41.32	42.44	54.00	-11.56	102	182

1GHz~ 40 GHz (Vertical), Normal Mode, Channel 8: 5320 MHz

Operator: Mailes Hsieh

RBW: 1 MHz
Humidity (%): 46
Temperature (C): 25

Frequency MHz	Rx_R. dBuV	Ant_F. dB/m	Cab_L. dB	PreAmpl dB	Emission dBuV/m	Limit dBuV/m	Margin dB	A.Tower cm	T.Table deg
2848.55	46.69	31.04	2.82	46.47	34.08	54.00	-19.92	103	309
2988.81	47.44	31.10	2.82	46.57	34.78	54.00	-19.22	103	353
3100.30	46.48	31.18	2.67	46.59	33.73	54.00	-20.27	103	331
7448.35	43.86	39.82	3.29	46.11	40.85	54.00	-13.15	101	174
10637.8	30.51	39.43	3.33	40.74	32.53	54.00	-21.47	102	149
15949.0	40.26	44.24	5.98	41.30	49.17	54.00	-4.83	102	183

Note:

“ * ”: Fundamental Frequency

“ pk ”: peak reading

“ av ”: average reading

The Spectrum noise level+Correction Factor<Limit-6 dB

Margin = Corrected Amplitude – Limit

Corrected Amplitude=Radiated Amplitude+Antenna Correction Factor+Cable Loss-Pre-Amplifier Gain

A margin of -8dB means that the emission is 8dB below the limit.

All frequencies from 1GHz to 40 GHz have been tested.

The restricted band limit is 54dBuV, the out of band limit is 68.3dBuV. All test data can meet this both limit.

$$E = \frac{1000000 \sqrt{30P}}{3} \text{ mV/m, } -27\text{dBm EIRP} = 68.3 \text{ dBuV}$$

1GHz~ 40 GHz (Horizontal), Normal Mode, Channel 9: 5745 MHz

Operator: Mailes Hsieh

RBW: 1 MHz
Humidity (%): 46
Temperature (C): 25

Frequency MHz	Rx_R. dBuV	Ant_F. dB/m	Cab_L. dB	PreAmpl dB	Emission dBuV/m	Limit dBuV/m	Margin dB	A.Tower cm	T.Table deg
2391.81	45.48	30.92	2.67	46.21	32.86	54.00	-21.14	101	166
2826.97	46.05	31.03	2.82	46.45	33.45	54.00	-20.55	102	303
3301.70	45.63	31.34	2.37	46.62	32.72	54.00	-21.28	103	279
7239.76	44.85	39.48	3.15	46.20	41.28	54.00	-12.72	101	144
11484.6	37.55	40.66	3.35	41.56	40.00	54.00	-14.00	101	161
17226.6	31.15	46.68	6.31	42.09	42.05	54.00	-11.95	100	275

1GHz~ 40 GHz (Vertical), Normal Mode, Channel 9: 5745 MHz

Operator: Mailes Hsieh

RBW: 1 MHz
Humidity (%): 46
Temperature (C): 25

Frequency MHz	Rx_R. dBuV	Ant_F. dB/m	Cab_L. dB	PreAmpl dB	Emission dBuV/m	Limit dBuV/m	Margin dB	A.Tower cm	T.Table deg
2924.08	45.13	31.07	2.82	46.52	32.50	54.00	-21.50	103	333
3229.77	45.61	31.28	2.48	46.61	32.76	54.00	-21.24	103	298
3269.33	45.32	31.32	2.42	46.62	32.43	54.00	-21.57	103	288
7973.43	44.32	40.56	3.05	43.87	44.05	54.00	-9.95	100	251
11489.5	39.33	40.67	3.35	41.57	41.79	54.00	-12.21	101	161
17236.4	31.95	46.71	6.31	42.09	42.88	54.00	-11.12	100	274

Note:

“ * ”: Fundamental Frequency

“ pk ”: peak reading

“ av ”: average reading

The Spectrum noise level+Correction Factor<Limit-6 dB

Margin = Corrected Amplitude – Limit

Corrected Amplitude=Radiated Amplitude+Antenna Correction Factor+Cable Loss-Pre-Amplifier Gain

A margin of -8dB means that the emission is 8dB below the limit.

All frequencies from 1GHz to 40 GHz have been tested.

The restricted band limit is 54dBuV, the out of band limit is 68.3dBuV. All test data can meet this both limit.

$$E = \frac{1000000 \sqrt{30P}}{3} \text{ mV / m, } -27\text{dBm EIRP} = 68.3 \text{ dBuV}$$

1GHz~ 40 GHz (Horizontal), Normal Mode, Channel 12 : 5805 MHz

Operator: Mailes Hsieh

RBW: 1 MHz
Humidity (%): 46
Temperature (C): 25

Frequency MHz	Rx_R. dBuV	Ant_F. dB/m	Cab_L. dB	PreAmpl dB	Emission dBuV/m	Limit dBuV/m	Margin dB	A.Tower cm	T.Table deg
2924.08	45.28	31.07	2.82	46.52	32.65	54.00	-21.35	103	333
2992.41	44.58	31.10	2.82	46.57	31.92	54.00	-22.08	103	355
3154.25	45.30	31.22	2.59	46.60	32.52	54.00	-21.48	103	317
7660.54	44.77	40.12	3.23	45.34	42.78	54.00	-11.22	100	205
11597.2	38.68	41.01	3.41	41.81	41.28	54.00	-12.72	101	145
17407.7	30.78	47.22	6.28	42.16	42.12	54.00	-11.88	101	259

1GHz~ 40 GHz (Vertical), Normal Mode, Channel 12 : 5805 MHz

Operator: Mailes Hsieh

RBW: 1 MHz
Humidity (%): 46
Temperature (C): 25

Frequency MHz	Rx_R. dBuV	Ant_F. dB/m	Cab_L. dB	PreAmpl dB	Emission dBuV/m	Limit dBuV/m	Margin dB	A.Tower cm	T.Table deg
2762.24	45.66	31.00	2.82	46.40	33.08	54.00	-20.92	102	282
2880.92	45.73	31.05	2.82	46.49	33.11	54.00	-20.89	103	320
2985.21	45.27	31.09	2.82	46.57	32.61	54.00	-21.39	103	352
7854.75	44.44	40.40	3.11	44.43	43.52	54.00	-10.48	100	234
11611.9	42.39	41.06	3.41	41.85	45.02	54.00	-8.98	101	142
17407.7	30.67	47.22	6.28	42.16	42.01	54.00	-11.99	101	259

Note:

“ * ”: Fundamental Frequency

“ pk ”: peak reading

“ av ”: average reading

The Spectrum noise level+Correction Factor<Limit-6 dB

Margin = Corrected Amplitude – Limit

Corrected Amplitude=Radiated Amplitude+Antenna Correction Factor+Cable Loss-Pre-Amplifier Gain

A margin of -8dB means that the emission is 8dB below the limit.

All frequencies from 1GHz to 40 GHz have been tested.

The restricted band limit is 54dBuV, the out of band limit is 68.3dBuV. All test data can meet this both limit.

$$E = \frac{1000000 \cdot \sqrt{30P}}{3} \text{ mV / m, } -27\text{dBm EIRP} = 68.3 \text{ dBuV}$$

1GHz~ 40 GHz (Horizontal), Turbo Mode, Channel 1: 5210 MHz

Operator: Mailes Hsieh

RBW: 1 MHz
Humidity (%): 46
Temperature (C): 25

Frequency MHz	Rx_R. dBuV	Ant_F. dB/m	Cab_L. dB	PreAmpl dB	Emission dBuV/m	Limit dBuV/m	Margin dB	A.Tower cm	T.Table deg
2791.01	45.53	31.02	2.82	46.43	32.94	54.00	-21.06	102	291
2873.73	45.63	31.05	2.82	46.49	33.02	54.00	-20.98	103	317
3125.47	45.85	31.20	2.63	46.60	33.09	54.00	-20.91	103	325
4729.47	44.05	34.57	1.32	46.80	33.14	54.00	-20.86	101	27
10167.8	31.97	39.67	3.13	41.03	33.73	54.00	-20.27	101	39
15944.1	30.56	44.22	5.97	41.32	39.44	54.00	-14.56	102	182

1GHz~ 40 GHz (Vertical), Turbo Mode, Channel 1: 5210 MHz

Operator: Mailes Hsieh

RBW: 1 MHz
Humidity (%): 46
Temperature (C): 25

Frequency MHz	Rx_R. dBuV	Ant_F. dB/m	Cab_L. dB	PreAmpl dB	Emission dBuV/m	Limit dBuV/m	Margin dB	A.Tower cm	T.Table deg
2391.81	44.84	30.92	2.67	46.21	32.22	54.00	-21.78	101	166
2913.29	46.49	31.07	2.82	46.52	33.86	54.00	-20.14	103	330
3262.14	45.96	31.31	2.43	46.62	33.08	54.00	-20.92	103	290
7646.15	44.52	40.10	3.24	45.41	42.45	54.00	-11.55	100	203
9120.28	33.24	40.90	3.18	42.75	34.57	54.00	-19.43	103	18
15625.9	34.46	43.20	5.51	42.37	40.80	54.00	-13.20	101	121

Note:

“ * ”: Fundamental Frequency

“ pk ”: peak reading

“ av ”: average reading

The Spectrum noise level+Correction Factor<Limit-6 dB

Margin = Corrected Amplitude – Limit

Corrected Amplitude=Radiated Amplitude+Antenna Correction Factor+Cable Loss-Pre-Amplifier Gain

A margin of -8dB means that the emission is 8dB below the limit.

All frequencies from 1GHz to 40 GHz have been tested.

The restricted band limit is 54dBuV, the out of band limit is 68.3dBuV. All test data can meet this both limit.

$$E = \frac{1000000 \sqrt{30P}}{3} \text{ mV / m, } -27\text{dBm EIRP} = 68.3 \text{ dBuV}$$

1GHz~ 40 GHz (Horizontal) , Turbo Mode, Channel 2 : 5250 MHZ

Operator: Mailes Hsieh

RBW: 1 MHz
Humidity (%): 46
Temperature (C): 25

Frequency MHz	Rx_R. dBuV	Ant_F. dB/m	Cab_L. dB	PreAmpl dB	Emission dBuV/m	Limit dBuV/m	Margin dB	A.Tower cm	T.Table deg
2794.61	45.37	31.02	2.82	46.43	32.78	54.00	-21.22	102	293
2891.71	45.50	31.06	2.82	46.50	32.88	54.00	-21.12	100	323
3193.81	45.41	31.26	2.53	46.61	32.59	54.00	-21.41	103	307
7653.35	45.71	40.11	3.23	45.37	43.68	54.00	-10.32	100	204
10574.1	31.66	39.41	3.32	40.78	33.62	54.00	-20.38	102	134
15753.1	33.30	43.61	5.69	41.95	40.66	54.00	-13.34	102	145

1GHz~ 40 GHz (Vertical), Turbo Mode, Channel 2: 5250 MHZ

Operator: Mailes Hsieh

RBW: 1 MHz
Humidity (%): 46
Temperature (C): 25

Frequency MHz	Rx_R. dBuV	Ant_F. dB/m	Cab_L. dB	PreAmpl dB	Emission dBuV/m	Limit dBuV/m	Margin dB	A.Tower cm	T.Table deg
2737.06	46.64	30.99	2.82	46.39	34.07	54.00	-19.93	102	274
2888.11	44.81	31.06	2.82	46.50	32.19	54.00	-21.81	103	322
3265.73	45.31	31.31	2.42	46.62	32.43	54.00	-21.57	103	289
7700.10	44.78	40.18	3.20	45.15	43.01	54.00	-10.99	100	211
10750.3	31.70	39.45	3.34	40.67	33.82	54.00	-20.18	102	175
15743.4	37.32	43.58	5.68	41.98	44.60	54.00	-9.40	101	143

Note:

“ * ”: Fundamental Frequency

“pk”: peak reading

“av”: average reading

The Spectrum noise level+Correction Factor<Limit-6 dB

Margin = Corrected Amplitude – Limit

Corrected Amplitude=Radiated Amplitude+Antenna Correction Factor+Cable Loss-Pre-Amplifier Gain

A margin of -8dB means that the emission is 8dB below the limit.

All frequencies from 1GHz to 40 GHz have been tested.

The restricted band limit is 54dBuV, the out of band limit is 68.3dBuV. All test data can meet this both limit.

$$E = \frac{1000000 \cdot \sqrt{30P}}{3} \text{ mV / m, } -27\text{dBm EIRP} = 68.3 \text{ dBuV}$$

1GHz~ 40 GHz (Horizontal), Turbo Mode, Channel 3 : 5290 MHz

Operator: Mailes Hsieh

RBW: 1 MHz
Humidity (%): 46
Temperature (C): 25

Frequency MHz	Rx_R. dBuV	Ant_F. dB/m	Cab_L. dB	PreAmpl dB	Emission dBuV/m	Limit dBuV/m	Margin dB	A.Tower cm	T.Table deg
2848.55	46.74	31.04	2.82	46.47	34.13	54.00	-19.87	103	309
2898.90	46.05	31.06	2.82	46.51	33.42	54.00	-20.58	103	325
3290.91	46.17	31.33	2.38	46.62	33.27	54.00	-20.73	103	282
7732.47	44.56	40.23	3.19	45.00	42.97	54.00	-11.03	100	216
10138.5	32.17	39.69	3.12	41.05	33.93	54.00	-20.07	101	32
15870.6	33.52	43.99	5.86	41.56	41.81	54.00	-12.19	102	168

1GHz~ 40 GHz (Vertical), Turbo Mode, Channel 3 : 5290 MHz

Operator: Mailes Hsieh

RBW: 1 MHz
Humidity (%): 46
Temperature (C): 25

Frequency MHz	Rx_R. dBuV	Ant_F. dB/m	Cab_L. dB	PreAmpl dB	Emission dBuV/m	Limit dBuV/m	Margin dB	A.Tower cm	T.Table deg
2780.22	45.53	31.01	2.82	46.42	32.95	54.00	-21.05	102	288
3031.97	45.09	31.13	2.77	46.58	32.41	54.00	-21.59	103	349
3272.93	45.34	31.32	2.41	46.62	32.45	54.00	-21.55	103	287
8066.93	44.50	40.75	3.08	43.58	44.75	54.00	-9.25	100	239
10569.2	32.79	39.41	3.32	40.78	34.75	54.00	-19.25	102	133
15875.5	39.57	44.00	5.87	41.54	47.90	54.00	-6.10	102	169

Note:

“ * ”: Fundamental Frequency

“ pk ”: peak reading

“ av ”: average reading

The Spectrum noise level+Correction Factor<Limit-6 dB

Margin = Corrected Amplitude – Limit

Corrected Amplitude=Radiated Amplitude+Antenna Correction Factor+Cable Loss-Pre-Amplifier Gain

A margin of -8dB means that the emission is 8dB below the limit.

All frequencies from 1GHz to 40 GHz have been tested.

The restricted band limit is 54dBuV, the out of band limit is 68.3dBuV. All test data can meet this both limit.

$$E = \frac{1000000 \cdot \sqrt{30P}}{3} \text{ mV / m, } -27\text{dBm EIRP} = 68.3 \text{ dBuV}$$

1GHz~ 40 GHz (Horizontal), Turbo Mode, Channel 4 : 5760 MHz

Operator: Mailes Hsieh

RBW: 1 MHz
Humidity (%): 46
Temperature (C): 25

Frequency	Rx_R	Ant_F	Cab_L	PreAmpl	Emission	Limit	Margin	A.Tower	T.Table
MHz	dBuV	dB/m	dB	dB	dBuV/m	dBuV/m	dB	cm	deg
2866.53	46.09	31.05	2.82	46.48	33.47	54.00	-20.53	103	315
3150.65	45.37	31.22	2.59	46.60	32.58	54.00	-21.42	103	318
3276.52	45.47	31.32	2.41	46.62	32.58	54.00	-21.42	103	286
7851.15	44.22	40.39	3.12	44.45	43.28	54.00	-10.72	100	233
11514.0	36.95	40.74	3.36	41.62	39.43	54.00	-14.57	101	157
17265.7	29.87	46.80	6.30	42.11	40.86	54.00	-13.14	101	271

1GHz~ 40 GHz (Vertical), Turbo Mode, Channel 4: 5760 MHz

Operator: Mailes Hsieh

RBW: 1 MHz
Humidity (%): 46
Temperature (C): 25

Frequency	Rx_R	Ant_F	Cab_L	PreAmpl	Emission	Limit	Margin	A.Tower	T.Table
MHz	dBuV	dB/m	dB	dB	dBuV/m	dBuV/m	dB	cm	deg
2765.83	46.24	31.01	2.82	46.41	33.66	54.00	-20.34	102	283
2808.99	45.49	31.02	2.82	46.44	32.90	54.00	-21.10	102	297
3168.63	45.35	31.23	2.57	46.60	32.55	54.00	-21.45	103	314
7725.27	44.27	40.22	3.19	45.04	42.64	54.00	-11.36	100	215
11514.0	41.10	40.74	3.36	41.62	43.58	54.00	-10.42	101	157
17314.7	29.32	46.94	6.29	42.13	40.43	54.00	-13.57	101	267

Note:

“ * ”: Fundamental Frequency

“pk”: peak reading

“av”: average reading

The Spectrum noise level+Correction Factor<Limit-6 dB

Margin = Corrected Amplitude - Limit

Corrected Amplitude=Radiated Amplitude+Antenna Correction Factor+Cable Loss-Pre-Amplifier Gain

A margin of -8dB means that the emission is 8dB below the limit.

All frequencies from 1GHz to 40 GHz have been tested.

The restricted band limit is 54dBuV, the out of band limit is 68.3dBuV. All test data can meet this both limit.

$$E = \frac{1000000 \sqrt{30P}}{3} \text{ nV / m, } -27\text{dBm EIRP} = 68.3 \text{ dBuV}$$

1GHz~ 40 GHz (Horizontal) , Turbo Mode, Channel 5 : 5800 MHZ

Operator: Mailes Hsieh

RBW: 1 MHz
Humidity (%): 46
Temperature (C): 25

Frequency MHz	Rx_R. dBuV	Ant_F. dB/m	Cab_L. dB	PreAmpl dB	Emission dBuV/m	Limit dBuV/m	Margin dB	A.Tower cm	T.Table deg
2830.57	46.17	31.03	2.82	46.45	33.57	54.00	-20.43	102	304
2924.08	45.73	31.07	2.82	46.52	33.09	54.00	-20.91	103	333
3294.51	46.55	31.34	2.38	46.62	33.64	54.00	-20.36	103	281
7829.57	45.07	40.36	3.13	44.55	44.01	54.00	-9.99	100	230
11592.3	34.39	41.00	3.40	41.80	36.99	54.00	-17.01	101	145
17960.8	29.67	49.44	5.44	40.53	44.02	54.00	-9.98	102	211

1GHz~ 40 GHz (Vertical), Turbo Mode, Channel 5: 5800 MHZ

Operator: Mailes Hsieh

RBW: 1 MHz
Humidity (%): 46
Temperature (C): 25

Frequency MHz	Rx_R. dBuV	Ant_F. dB/m	Cab_L. dB	PreAmpl dB	Emission dBuV/m	Limit dBuV/m	Margin dB	A.Tower cm	T.Table deg
2884.52	46.02	31.05	2.82	46.49	33.40	54.00	-20.60	103	321
2920.48	46.11	31.07	2.82	46.52	33.48	54.00	-20.52	103	332
3301.70	45.33	31.34	2.37	46.62	32.41	54.00	-21.59	103	279
7811.59	44.56	40.34	3.14	44.63	43.41	54.00	-10.59	100	227
11592.3	37.24	41.00	3.40	41.80	39.84	54.00	-14.16	101	145
17236.4	29.73	46.71	6.31	42.09	40.66	54.00	-13.34	100	274

Note:

“ * ”: Fundamental Frequency

“ pk ”: peak reading

“ av ”: average reading

The Spectrum noise level+Correction Factor<Limit-6 dB

Margin = Corrected Amplitude – Limit

Corrected Amplitude=Radiated Amplitude+Antenna Correction Factor+Cable Loss-Pre-Amplifier Gain

A margin of -8dB means that the emission is 8dB below the limit.

All frequencies from 1GHz to 40 GHz have been tested.

The restricted band limit is 54dBuV, the out of band limit is 68.3dBuV. All test data can meet this both limit.

$$E = \frac{1000000 \cdot \sqrt{30P}}{3} \text{ mV / m, } -27\text{dBm EIRP} = 68.3 \text{ dBuV}$$

2.6 Band Edge Measurement (Section 15.407 (b) (1) (2))

2.6.1 Test Procedure (Conducted)

1. The Transmitter output of EUT was connected to the spectrum analyzer.
Equipment mode: Spectrum analyzer

Peak Mode:	
SPAN	100MHz
RBW	1MHz
VBW	1MHz
Sweep Time	200msec.

2. Using Peak Search to read the peak power of Carrier frequencies after Maximum Hold function is completed.
3. Find the next peak frequency outside the operation frequency band.

2.6.2 Test Setup (Conducted)



2.6.3 Test Data (conducted):

Please refer to ISL report 04LR018FC part 1

2.6.4 Bandedge Measurement Test Procedure (Radiated)

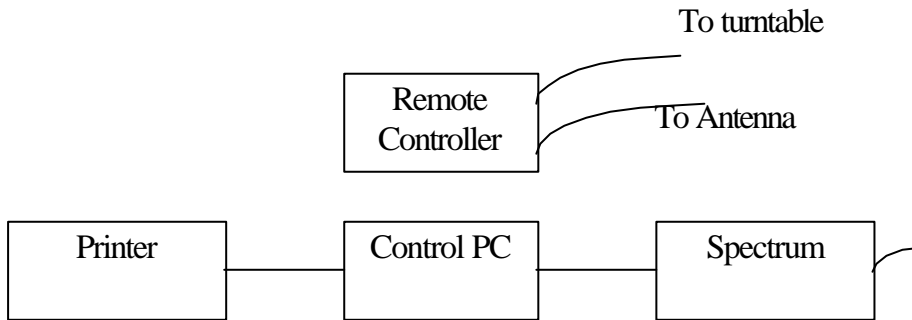
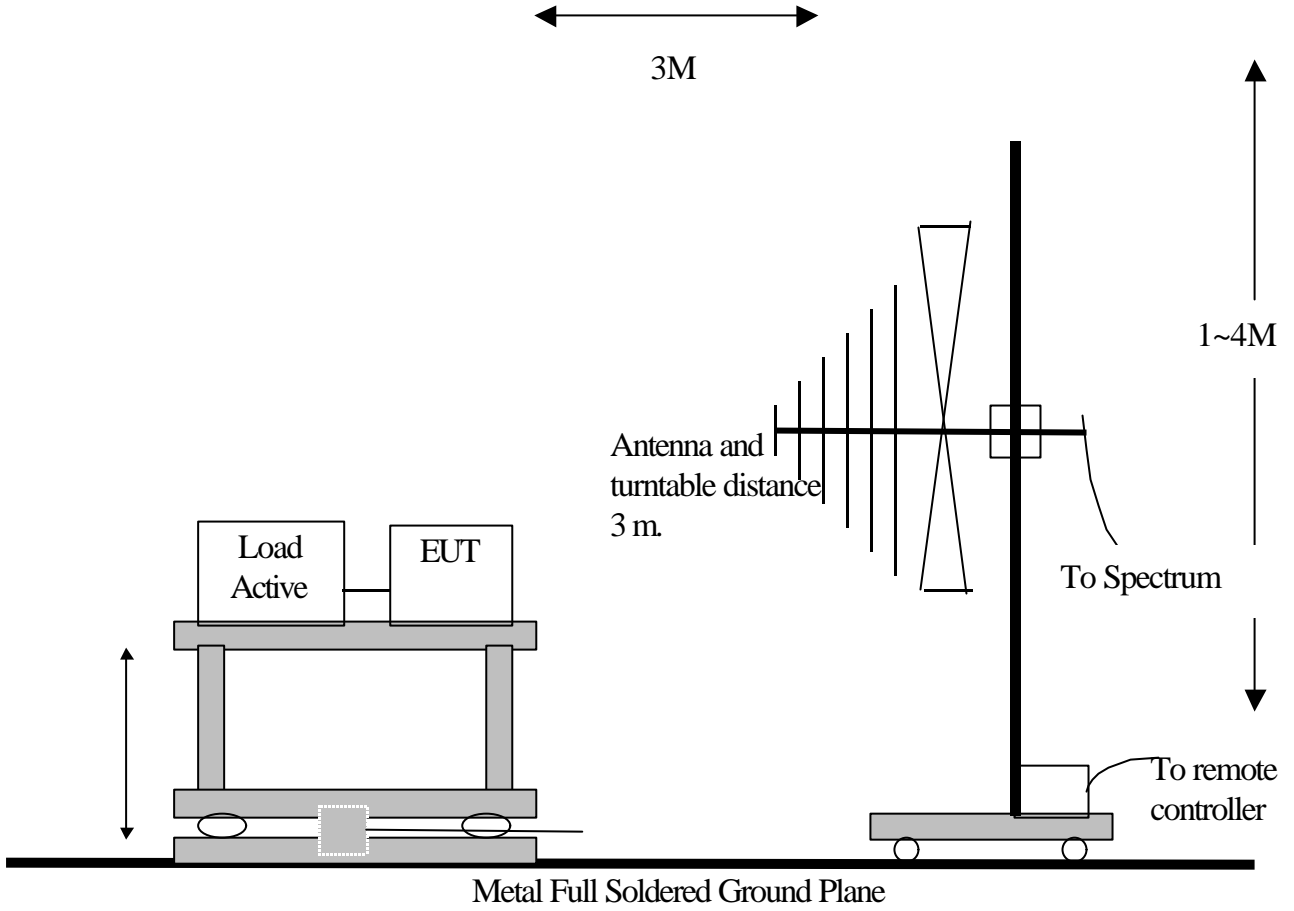
1. Antenna and Turntable test procedure same as Radiated Emissions measurement listed in Para. 6.5

Equipment mode: Spectrum analyzer

Peak Mode:	
SPAN	100MHz
RBW	1MHz
VBW	1MHz
Sweep Time	200msec.
AVE Mode:	
SPAN	100MHz
RBW	1MHz
VBW	10Hz
Sweep Time	20 sec.

2. Using Peak Search to read the peak power of Carrier frequencies after Maximun Hold function is completed.
3. Find the next peak frequency outside the operation frequency band.
4. Get the spectrum reading after Maximun Hold function is completed.

2.6.5 Test Setup (Radiated)



2.6.6 Test Data (Radiated):

Band Edge measurement (Radiated)

Temp. (deg. C): 25

Test Engr: Mailes
Hsieh

Humidity (%): 50

Outside Channel (Normal)	Frequency (MHz)	Spectrum Reading (dBuV)	Correction Factor (dB/m)	Emission Level (dBuV/m)	Limit (dBuV/m)	Pass/Fail
1 (Peak)	5149.9	21.95	38.21	60.16	74	Pass
1 (Average)	5146.7	8.34	38.21	46.55	54	Pass
8 (Peak)	5376.4	21.7	38.21	59.91	74	Pass
8 (Average)	5351.4	8.52	38.21	46.73	54	Pass
9 (Peak)	5713	24.55	38.21	62.76	74	Pass
9 (Average)	5715	9.25	38.21	47.46	54	Pass
12 (Peak)	5844.2	23.15	38.21	61.36	74	Pass
12 (Average)	5835.3	9.19	38.21	47.4	54	Pass

Outside Channel (Turbo)	Frequency (MHz)	Spectrum Reading (dBuV)	Correction Factor (dB/m)	Emission Level (dBuV/m)	Limit (dBuV/m)	Pass/Fail
1 (Peak)	5146.4	21.39	38.21	59.6	74	Pass
1 (Average)	5147.7	8.3	38.21	46.51	54	Pass
3 (Peak)	5352.2	21.38	38.21	59.59	74	Pass
3 (Average)	5352.8	8.44	38.21	46.65	54	Pass
4 (Peak)	5715	24.91	38.21	63.12	74	Pass
4 (Average)	5715	10.35	38.21	48.56	54	Pass
5 (Peak)	5835.8	23.34	38.21	61.55	74	Pass
5 (Average)	5835	10.33	38.21	48.54	54	Pass

Note:

“pk”: peak reading

“av”: average reading

Emission Level=Spectrum Reading+Correction Factor

Correction Factor =Antenna Factor+cable loss

Both Horizontal and Vertical polarization have been tested and the worst data is listed above.

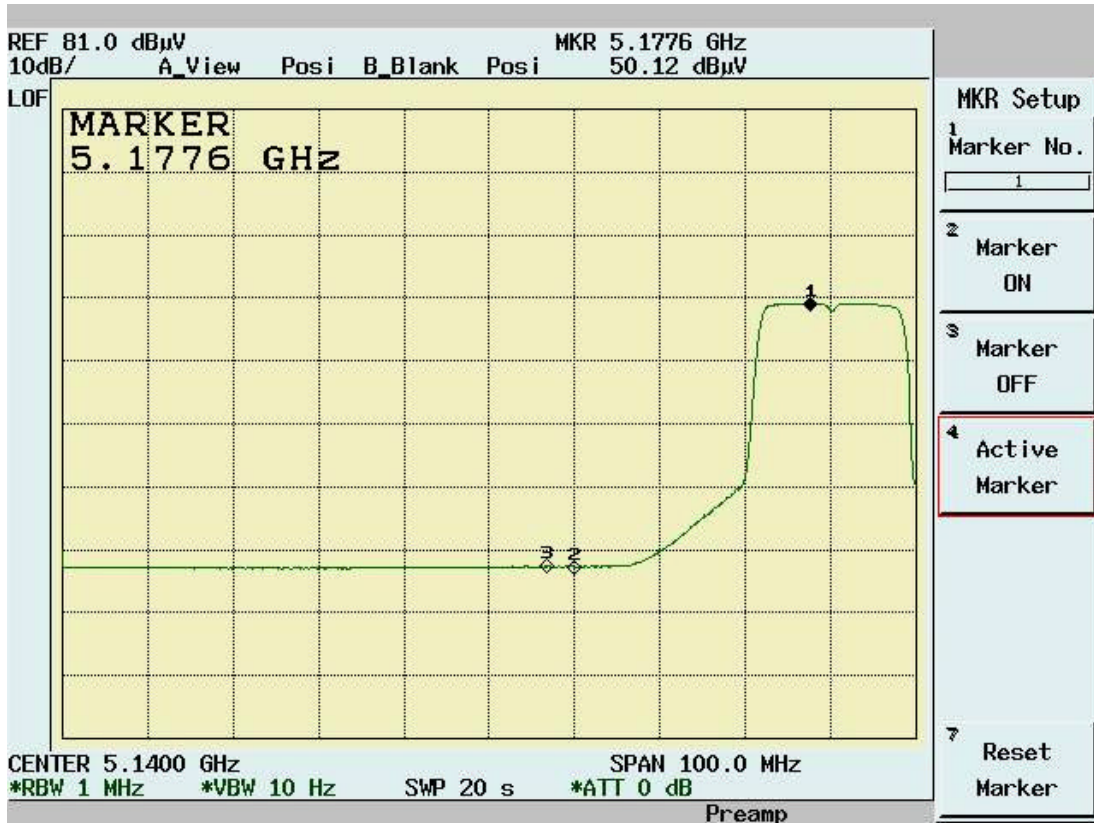
The restricted band limit is 54dBuV, the out of band limit is 68.3dBuV. All test data can meet this both limit.

$$E = \frac{1000000\sqrt{30P}}{3} \text{ mV / m, } -27\text{dBm EIRP} = 68.3 \text{ dBuV}$$

**Band Edge measurement for radiated emission in Restricted Band(Radiated)
Normal Mode (Channel 1) Peak data**



Normal Mode (Channel 1) Average Data



Normal Mode (Channel 8) Peak data



Normal Mode (Channel 8) Average data



Normal Mode (Channel 9) Peak data



Normal Mode (Channel 9) Average Data



Normal Mode (Channel 12) Peak data



Normal Mode (Channel 12) Average Data



**Band Edge measurement for radiated emission in Restricted Band(Radiated)
Turbo Mode (Channel 1) Peak data**



Turbo Mode (Channel 1) Average data



Turbo Mode (Channel 4) Peak data



Turbo Mode (Channel 4) Average data



Turbo Mode (Channel 5) Peak data



Turbo Mode (Channel 5) Average Data



2.7 RF Exposure Measurement [Section 15.407(f)(4) & 1.1307(b)]

Refer to MPE Test Report

2.8 Frequency Stability [Section 15.407(g)]

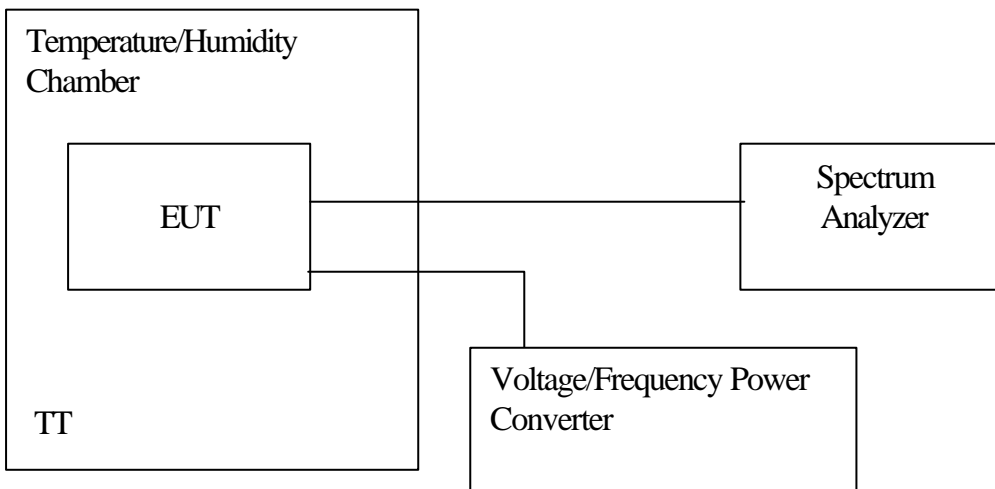
2.8.1 Limits of Frequency Stability Measurement

The frequency tolerance of the carrier signal shall be maintained within +/- 0.02% of the operating frequency over the operation temperature range of EUT (0°C~35°C), and variation in the primary supply voltage from 85% to 115% of the rated supply voltage (115V AC) at 20°C.

2.8.2 Test Procedure

1. The EUT was placed in the Temperature/Humidity Chamber and powered by a Voltage/Frequency Power converter.
2. Connect the RF output of EUT to Spectrum. Turn on the EUT.
3. Turn the EUT off and set the chamber to the highest temperature specified.
4. Allow sufficient time (approximately 30 min) for the chamber temperature to stabilize. Turn the EUT on and measure the operating frequency after 2, 5, 10 minutes.
5. Set the Voltage/Frequency Power Converter to 85% and 115% of supply voltage, then repeat step 2, 3, 4 respectively.
6. Repeat step 2, 3, 4, 5 with the temperature of chamber set to the lowest temperature.
7. Repeat step 2, 3, 4, 5 with the temperature of chamber set to 20°C.

2.8.3 Test Setup



2.8.4 Test Data

Please refer to ISL report 04LR018FC part 1

3. TEST RESULTS (802.11b)

3.1 Powerline Conducted Emissions [Section 15.207]

3.1.1 EUT Configuration

The conducted emission test setups are in accordance with Figs 9, 10(a) and 10(b) of ANSI C63.4-2001, CFR 47 Part 15 Subpart B; or EN55022:1994/ A1:1995/A2:1997; CISPR 22:1993/A1:1995/A2:1996.

The EUT was set up on the non-conductive table that is 1.0 by 1.5 meter, 80cm above ground. The wall of the shielded room was located 40cm to the rear of the EUT.

Power to the EUT was provided through the LISN. The impedance vs. frequency characteristic of the LISN is complied with the limit shown on the figure 1 of ANSI C63.4-2001.

Both lines (neutral and hot) were connected to the LISN in series at testing. A coaxial-type connector which provides one 50 ohms terminating impedance was provided for connecting the test instrument. The excess length of the power cord was folded back and forth at the center of the lead so as to form a bundle not exceeding 40cm in length.

Any changes made to the configuration, or modifications made to the EUT, during testing are noted in the following test record.

If the EUT is a Personal Computer or a peripheral of personal computer, and the personal computer has an auxiliary AC outlet which can be used for providing power to an external monitor, then all measurements will be made with the monitor power from first the computer-mounted AC outlet and then a floor-mounted AC outlet.

3.1.2 Test Procedure

The system was set up as described above, with the EMI diagnostic software running. The main power line conducted EMI tests were run on the hot and neutral conductors of the power cord and the results were recorded. The effect of varying the position of the interface cables has been investigated to find the configuration that produces maximum emission.

At the frequencies where the peak values of the emissions were higher than 6dB below the applicable limits, the emissions were also measured with the quasi-peak detectors. At the frequencies where the quasi-peak values of the emissions were higher than 6dB below the applicable average limits, the emissions were also measured with the average detectors.

The highest emissions were analyzed in details by operating the spectrum analyzer in fixed tuned mode to determine the nature of the emissions and to provide information which could be useful in reducing their amplitude.

3.1.3 EMI Receiver/Spectrum Analyzer Configuration (for the frequencies tested)

Frequency Range	150 KHz--30MHz
Detector Function	Quasi-Peak/Average
Bandwidth (RBW)	9KHz