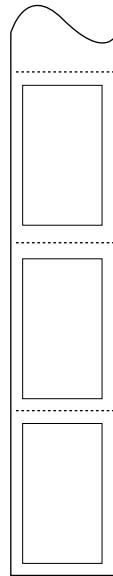
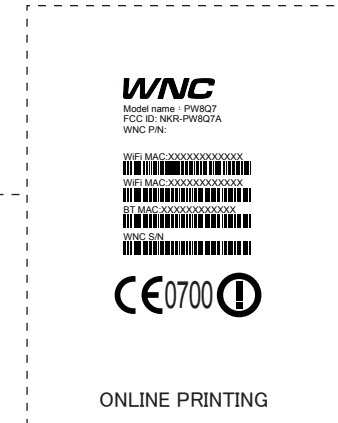
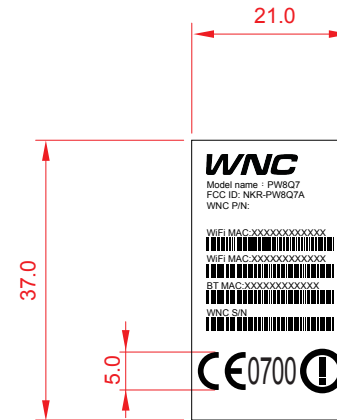


PART NUMBER BLOCK	
PART NUMBER	REV
	A

REVISIONS			
REV	DESCRIPTION	DATE	APPROVED
A	RELEASE	12/19/13	SANDY CHEN



出標方向



NOTE:

1. MATERIAL: WHITE MATTE PET, t=0.050
2. ADHESIVE: ACRYLIC, t=0.024 ± 0.003 mm
3. COLOR:
 - a. BACKGROUND: ORIGINAL PAPER COLOR
4. TEMPERATURE RESISTANT= 80°C
5. ROLLED/ LINER PAPER OF SPACING: 3.0± 0.5 mm
6. 捲狀出貨

REFER TO: 4L-P28Q702-001

		UNLESS OTHERWISE SPECIFIED ALL DIMENSIONS ARE IN mm AND TOLERANCES ARE:				啟碁科技股份有限公司 Wistron NeWeb Corp. 20 Park Avenue II, Hsinchu Science Park, Hsinchu 308, Taiwan, R.O.C. Tel: 886-3-6667799 Fax: 886-3-5788726	
		INTEGRAL DIMENSIONS ±0.5 1 PLACE DECIMAL ±0.2	ANGULAR DIMENSIONS ±2° HOLES UNDER Ø5.00 ±0.2		DWG TITLE LABEL, WHITE		
		MATERIAL: SEE NOTES				SIZE A4 DWG NO. _____ REV A	
		FINISH: SEE NOTES					
		THIRD ANGLE PROJECTION		DRAWN	HSINYUN LIN	09/06/13	SCALE 1/1 SHEET 1 OF 1
				ENGR	HSINYUN LIN	09/06/13	
				APVD	SANDY CHEN	09/06/13	
NEXT ASSY	USED ON						
APPLICATION							