

Efficiency

		699	716	746	824	849	894	Avg.	1710	1910	2155	2200	2360	2500	2650	Avg.
Main	Eff.	52%	51%	56%	58%	57%	56%	55%	62%	67%	63%	67%	69%	58%	58%	64%
	Avg. Gain	-2.86	-2.90	-2.49	-2.35	-2.46	-2.55		-2.05	-1.72	-1.99	-1.72	-1.60	-2.40	-2.34	
	Peak Gain	-0.02	-0.62	0.45	1.13	1.08	-0.12		2.35	3.21	3.16	2.27	2.47	2.84	1.63	
Aux	Eff.	51%	52%	54%	53%	53%	51%	52%	59%	61%	60%	61%	61%	61%	62%	61%
	Avg. Gain	-2.93	-2.83	-2.66	-2.76	-2.77	-2.96		-2.26	-2.15	-2.20	-2.17	-2.16	-2.14	-2.08	
	Peak Gain	-1.16	-0.05	0.29	1.32	1.00	1.03		2.61	1.75	4.15	4.07	3.98	6.09	6.02	

		1920	1925	1930	Avg.
DECT1	Eff.	64%	64%	64%	64%
	Avg. Gain	-1.95	-1.94	-1.97	
	Peak Gain	4.34	4.32	4.27	
DECT2	Eff.	68%	69%	67%	68%
	Avg. Gain	-1.67	-1.59	-1.73	
	Peak Gain	4.84	4.96	5.05	

		2400	2450	2500	Avg.
Bluetooth	Eff.	66%	65%	65%	65%
	Avg. Gain	-1.84	-1.87	-1.88	
	Peak Gain	4.26	4.19	2.70	
Zigbee	Eff.	67%	69%	69%	68%
	Avg. Gain	-1.77	-1.61	-1.62	
	Peak Gain	3.44	3.77	3.94	

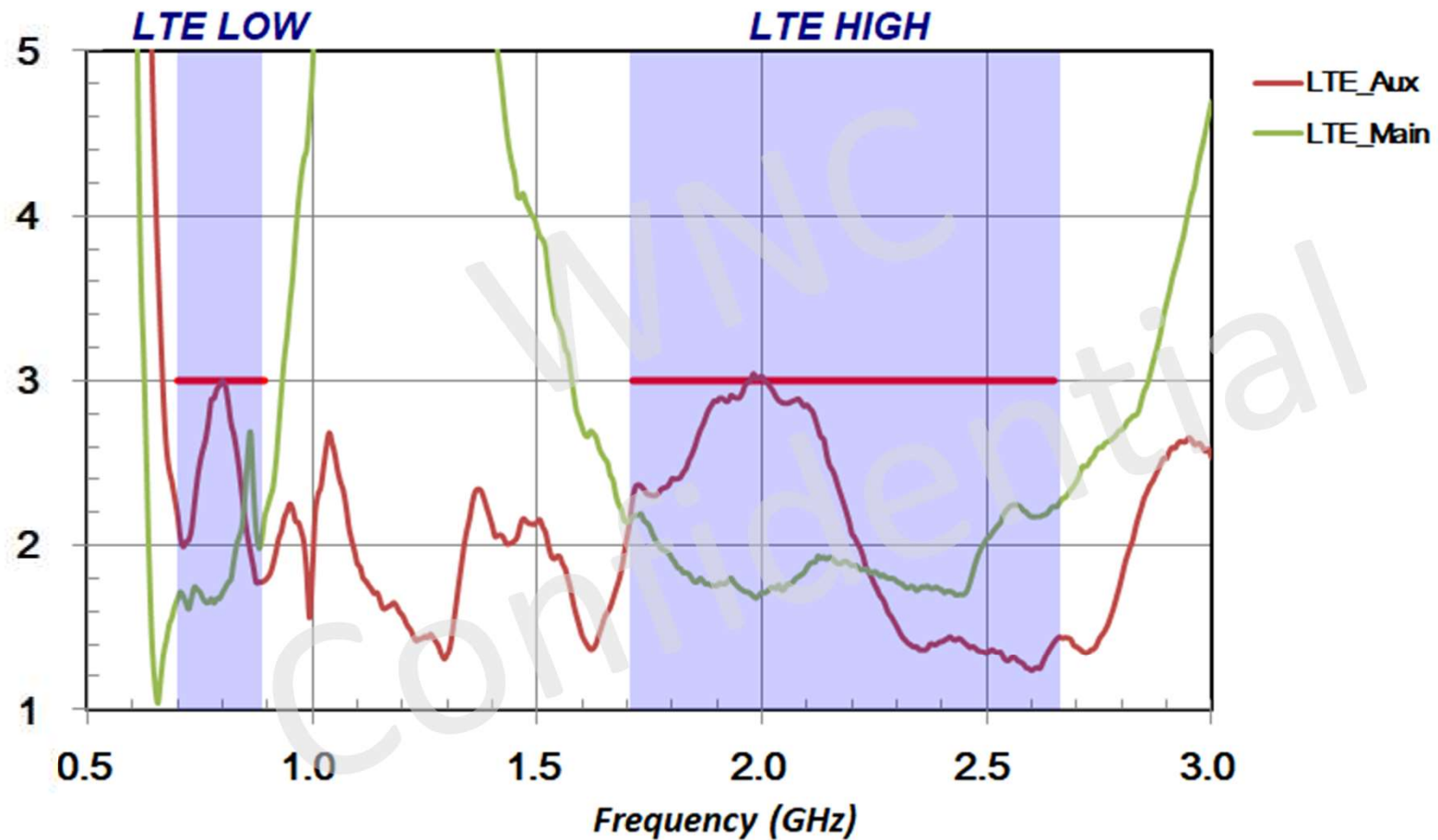
		2400	2450	2500	Avg.	5150	5350	5550	5725	5785	5850	Avg.
WiFi1	Eff.	66%	69%	66%	67%	66%	64%	65%	64%	64%	63%	64%
	Avg. Gain	-1.81	-1.62	-1.80		-1.79	-1.96	-1.86	-1.96	-1.93	-1.98	
	Peak Gain	4.92	5.19	4.71		5.36	4.68	4.21	4.22	4.15	4.83	
WiFi2	Eff.	67%	69%	64%	67%	65%	63%	68%	71%	69%	71%	68%
	Avg. Gain	-1.74	-1.62	-1.93		-1.88	-1.98	-1.70	-1.49	-1.59	-1.49	
	Peak Gain	3.84	3.47	4.05		5.56	5.36	5.54	5.52	5.35	5.48	

		908	912	916	Avg.
ZWAVE	Eff.	65%	66%	63%	65%
	Avg. Gain	-1.86	-1.78	-1.98	
	Peak Gain	3.03	3.04	3.03	

Unit, Avg. Gain [dBi], Peak Gain [dBi]

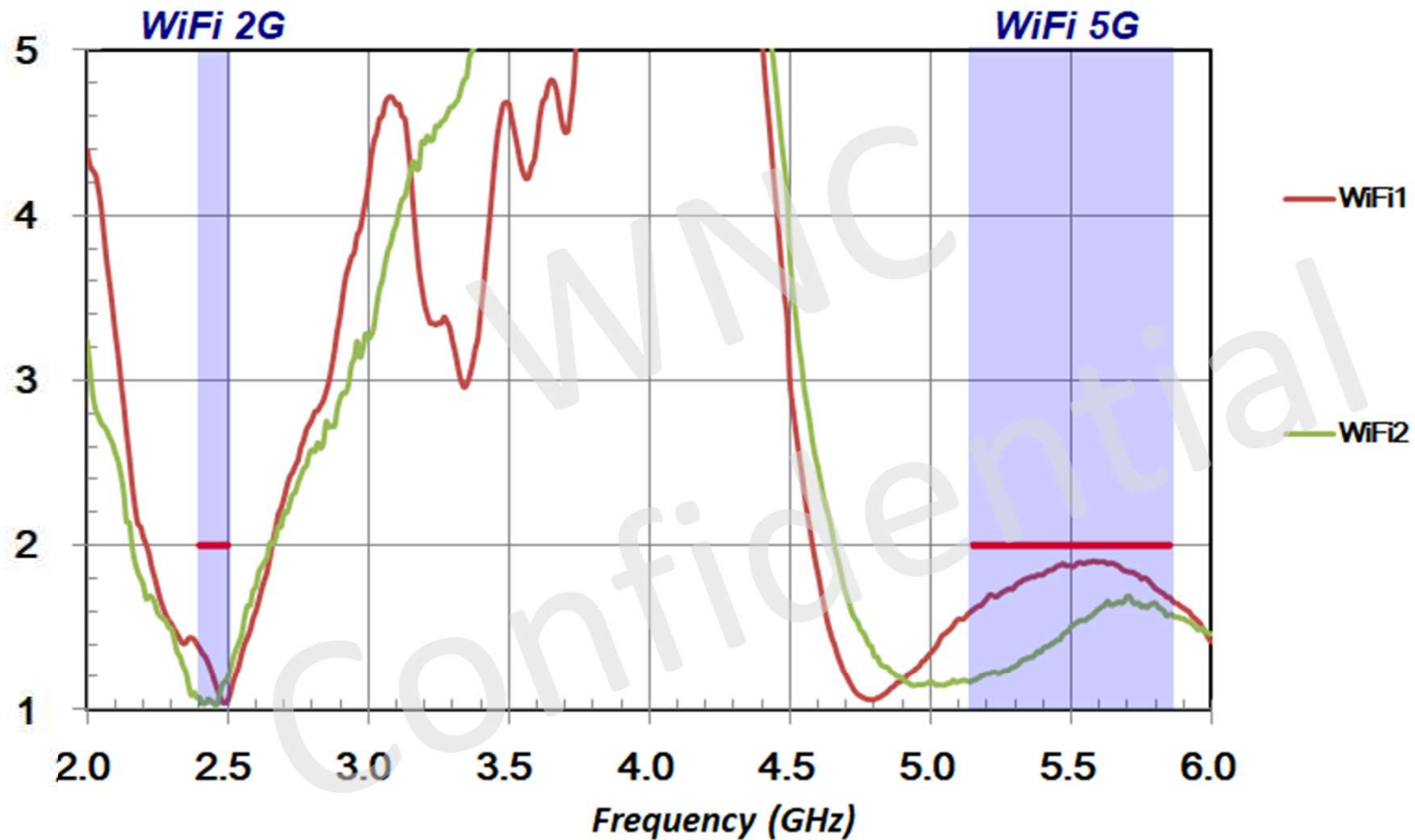


Antenna VSWR – LTE Main & AUX



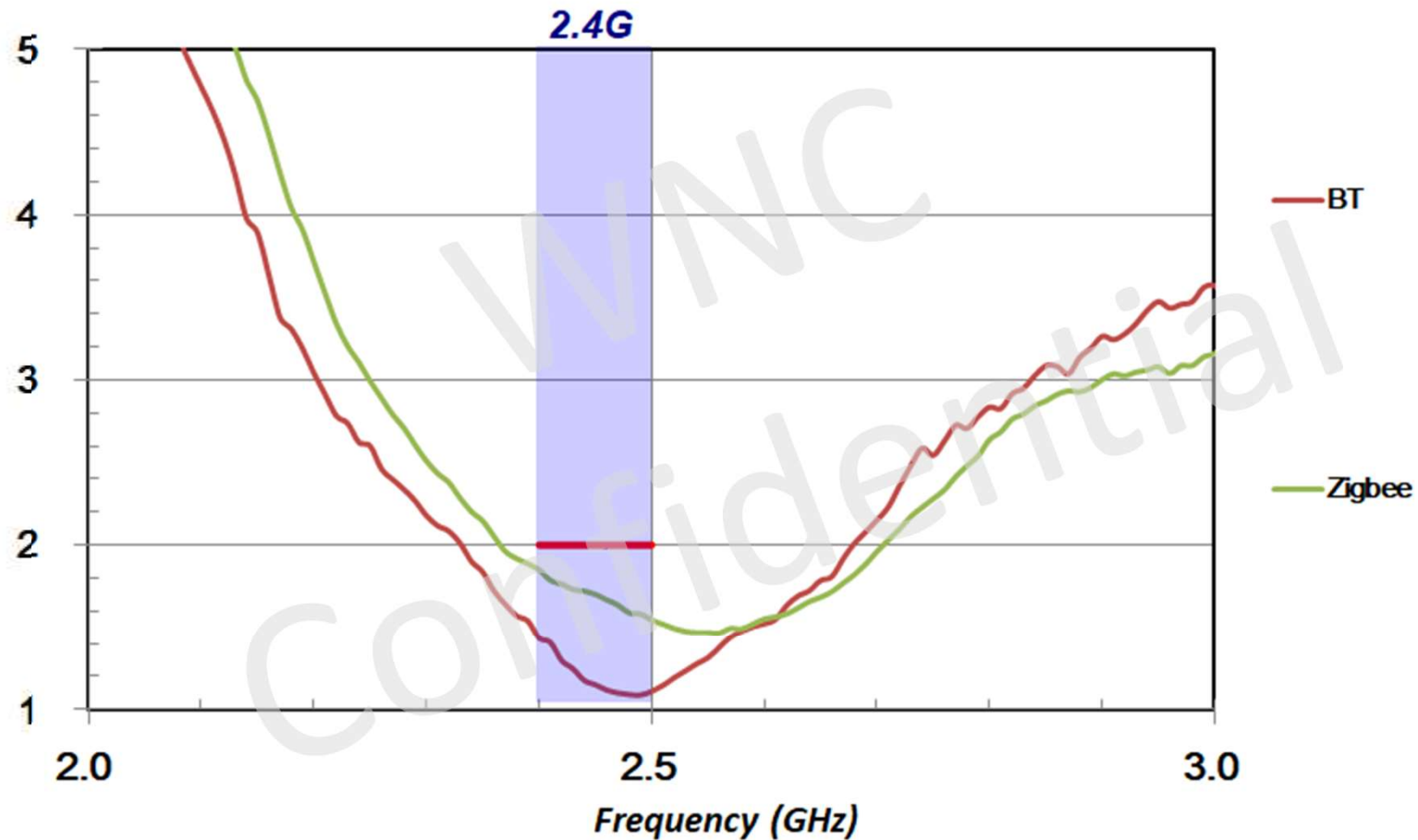
Maximum VSWR is 3 : 1 for LTE antennas

Antenna VSWR – WiFi 1 & 2



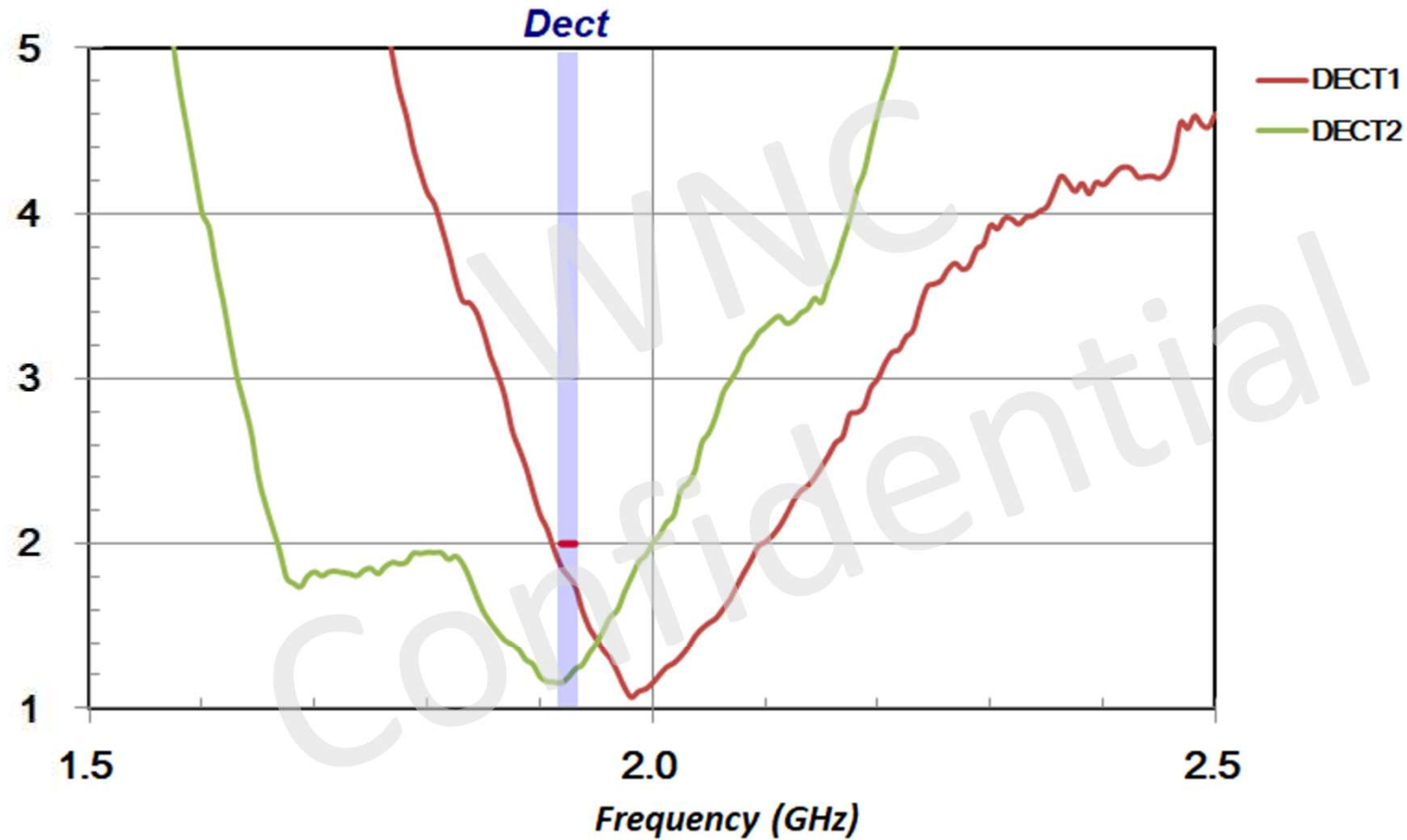
Maximum VSWR is 2 : 1 for WIFI antennas

Antenna VSWR – Zigbee & Bluetooth



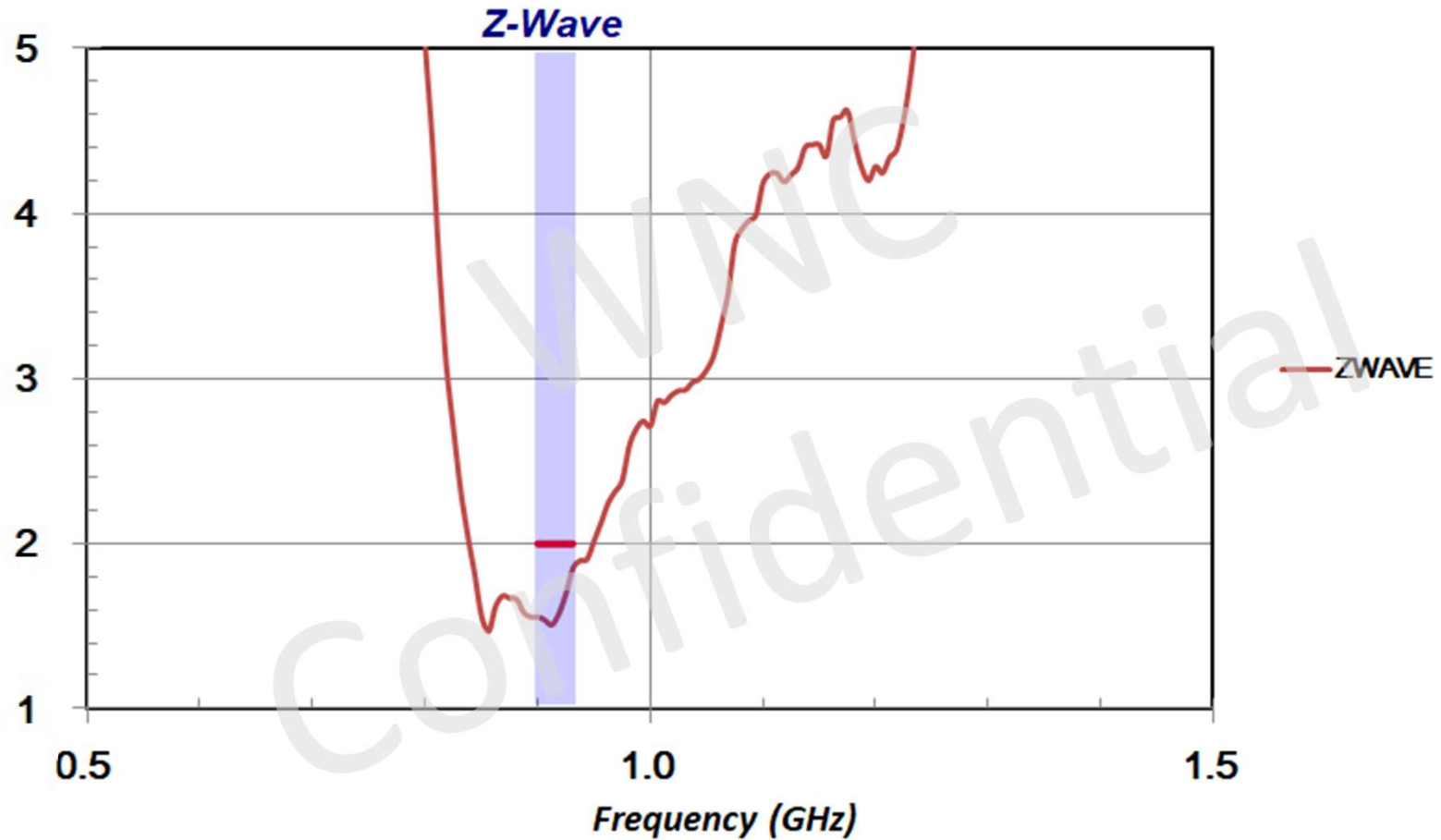
Maximum VSWR is 2 : 1 for BT & Zigbee antenna

Antenna VSWR – DECT 1 & 2



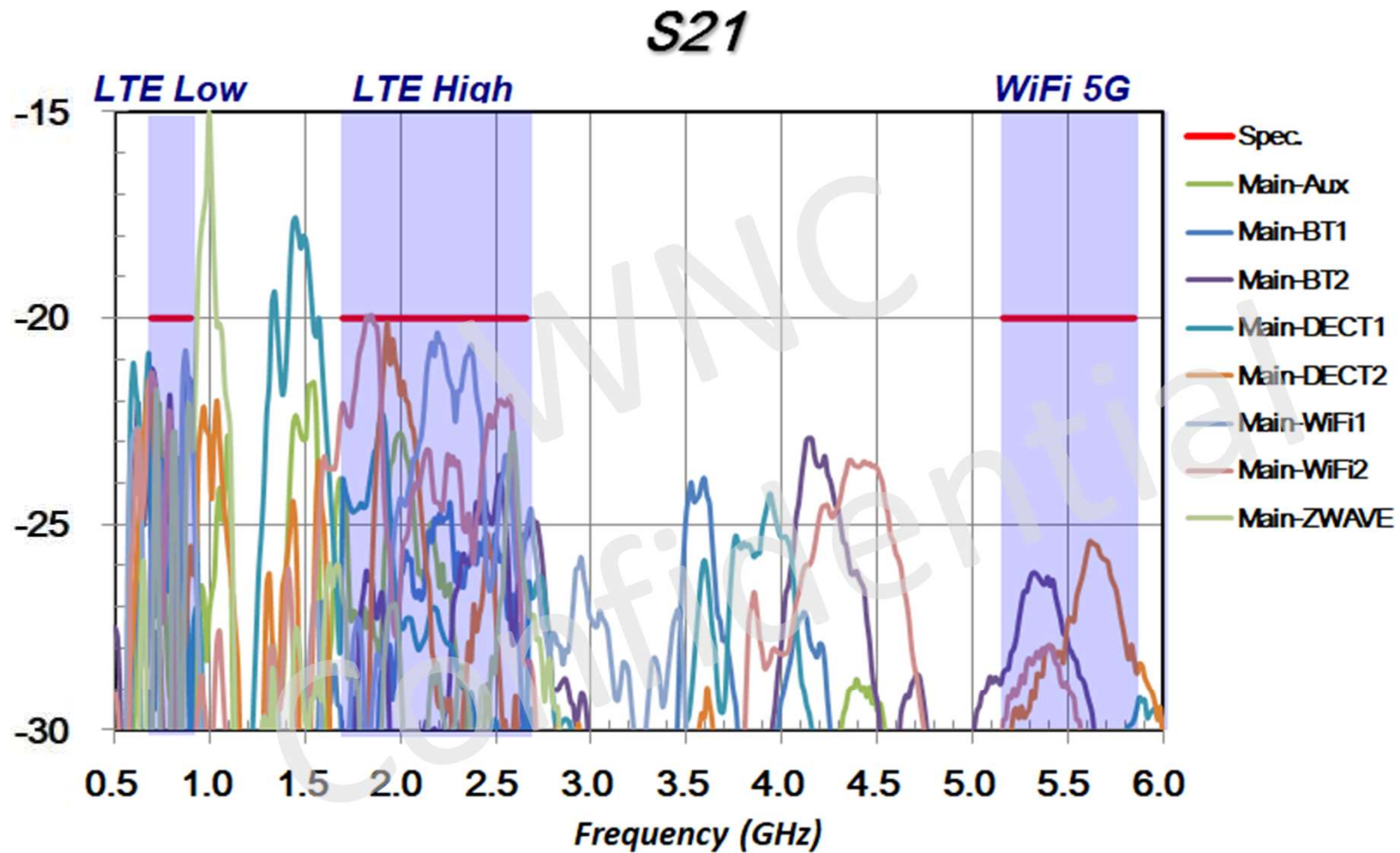
Maximum VSWR is 2 : 1 for DECT antennas

Antenna VSWR – ZWAVE



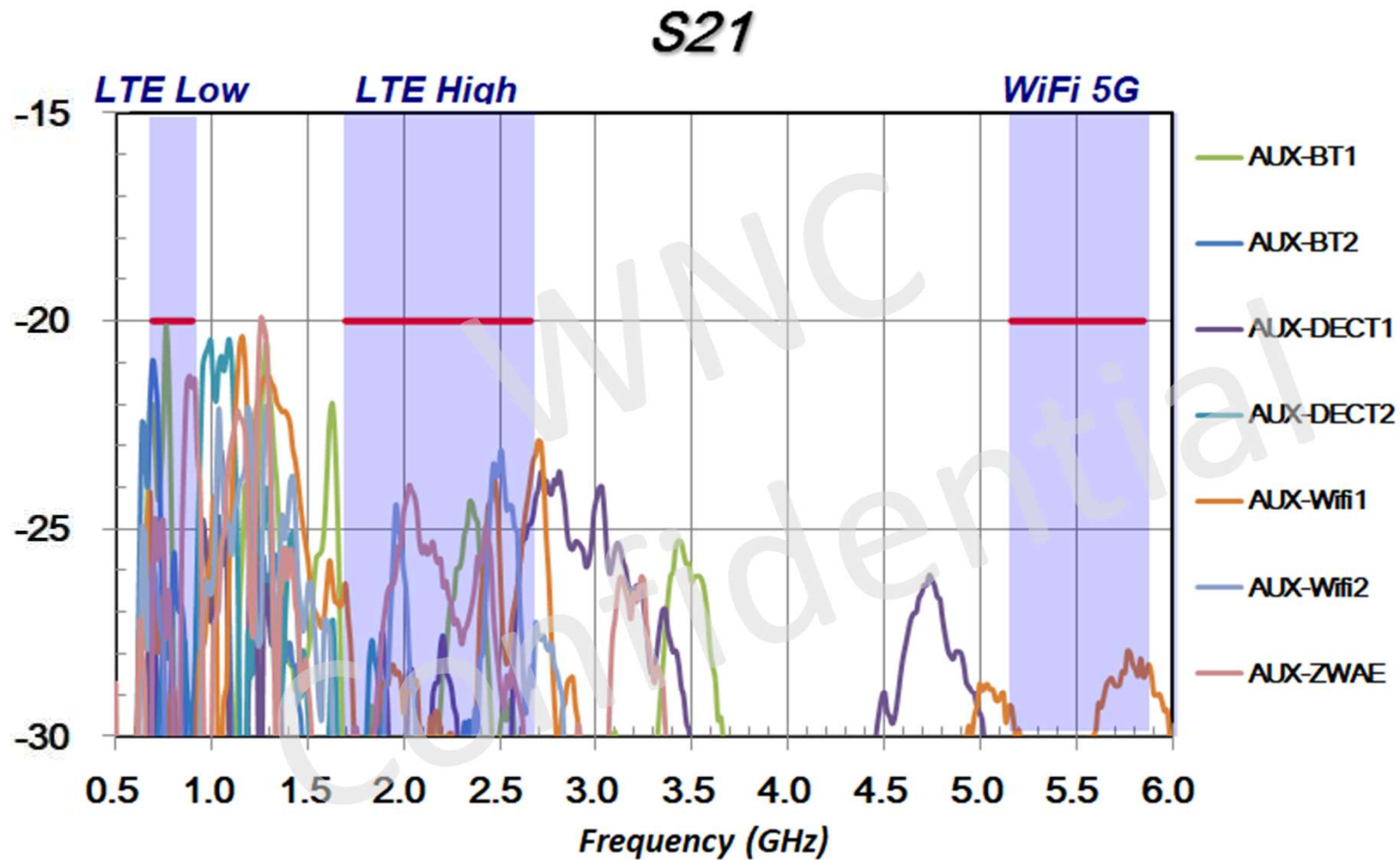
Maximum VSWR is 2 : 1 for ZWAVE antenna

Isolation – LTE Main



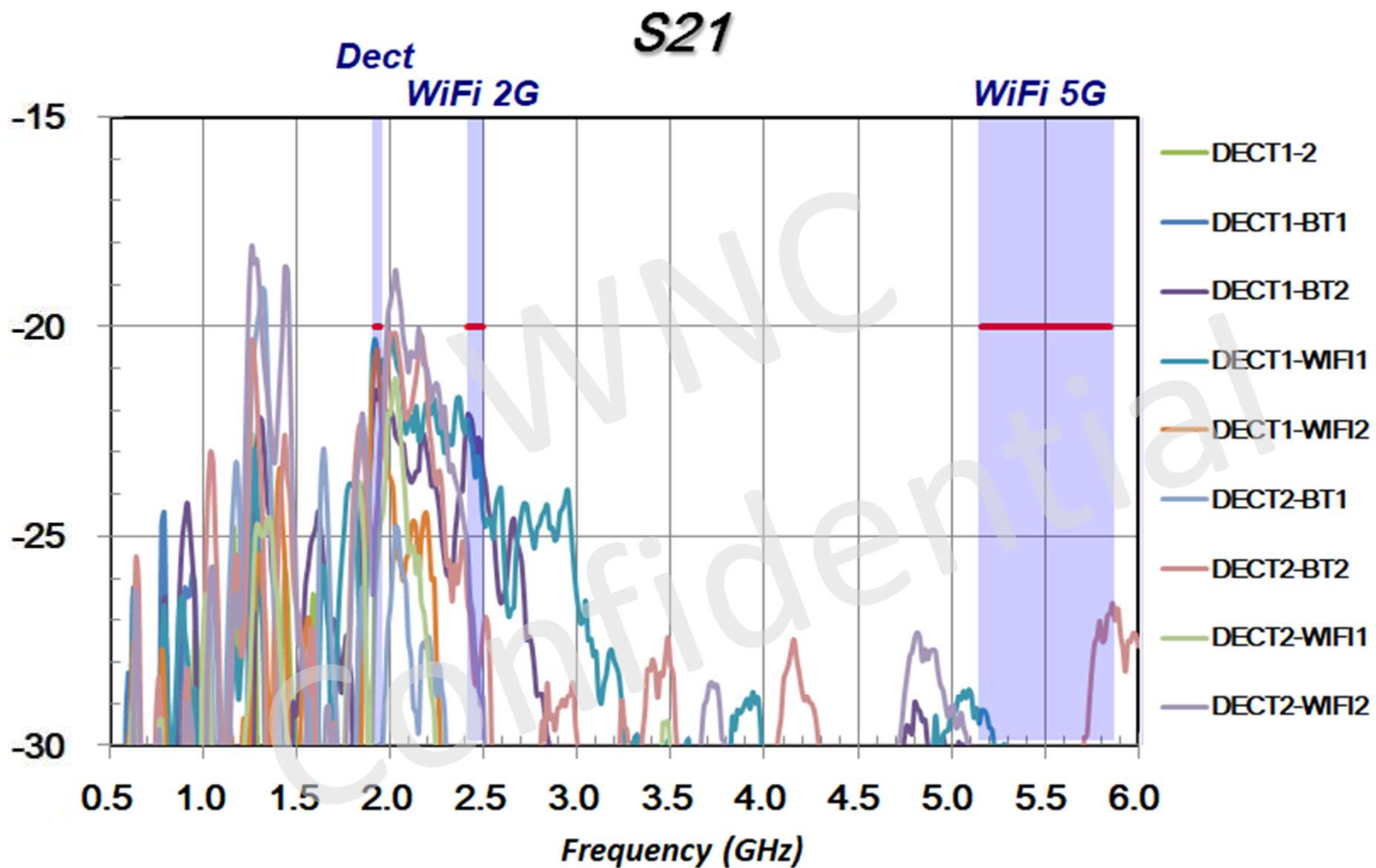
Isolation more than 20dB among all antennas

Isolation – LTE Aux



Isolation more than 20dB among all antennas

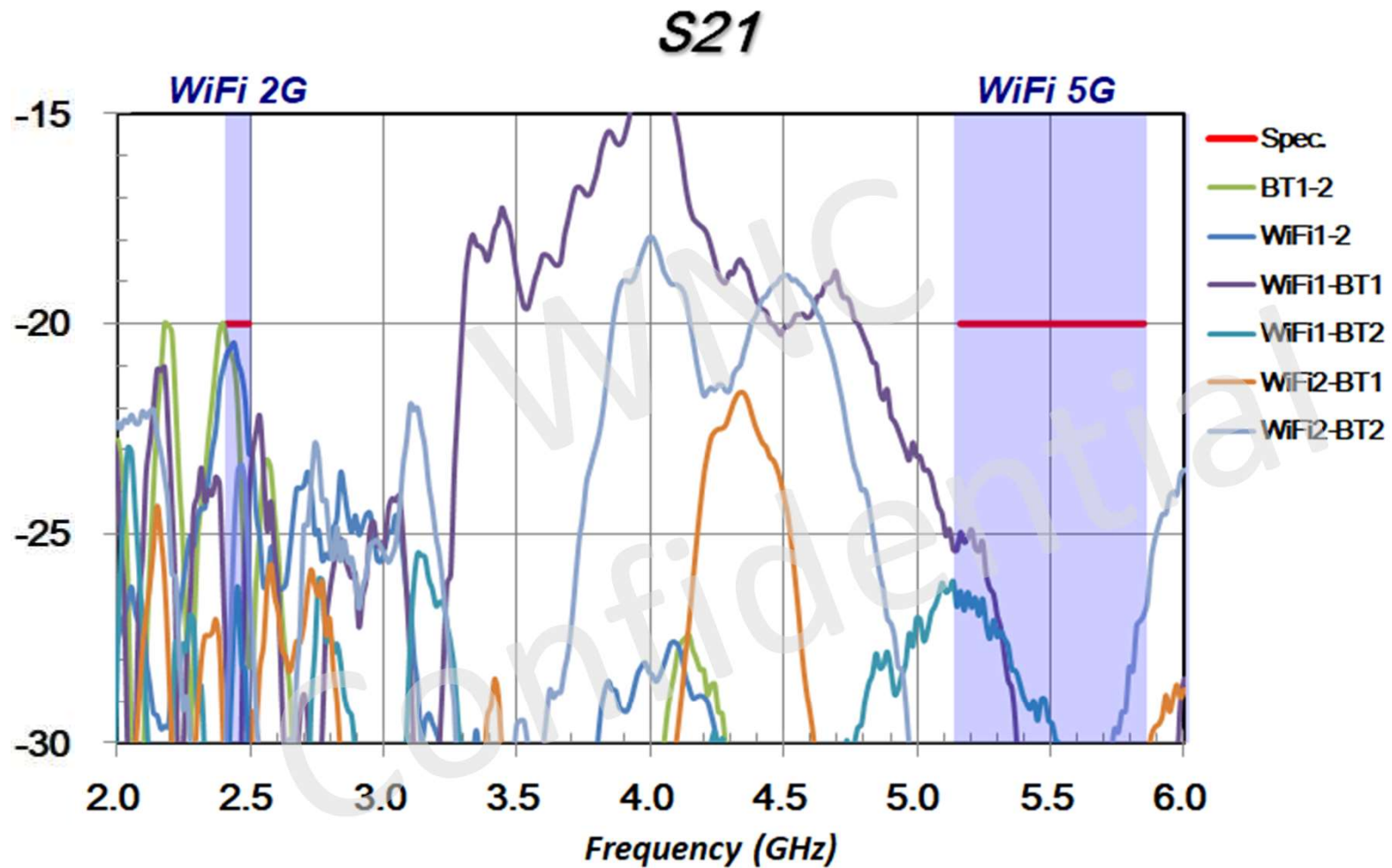
Isolation – DECT



Isolation more than 20dB among all antennas

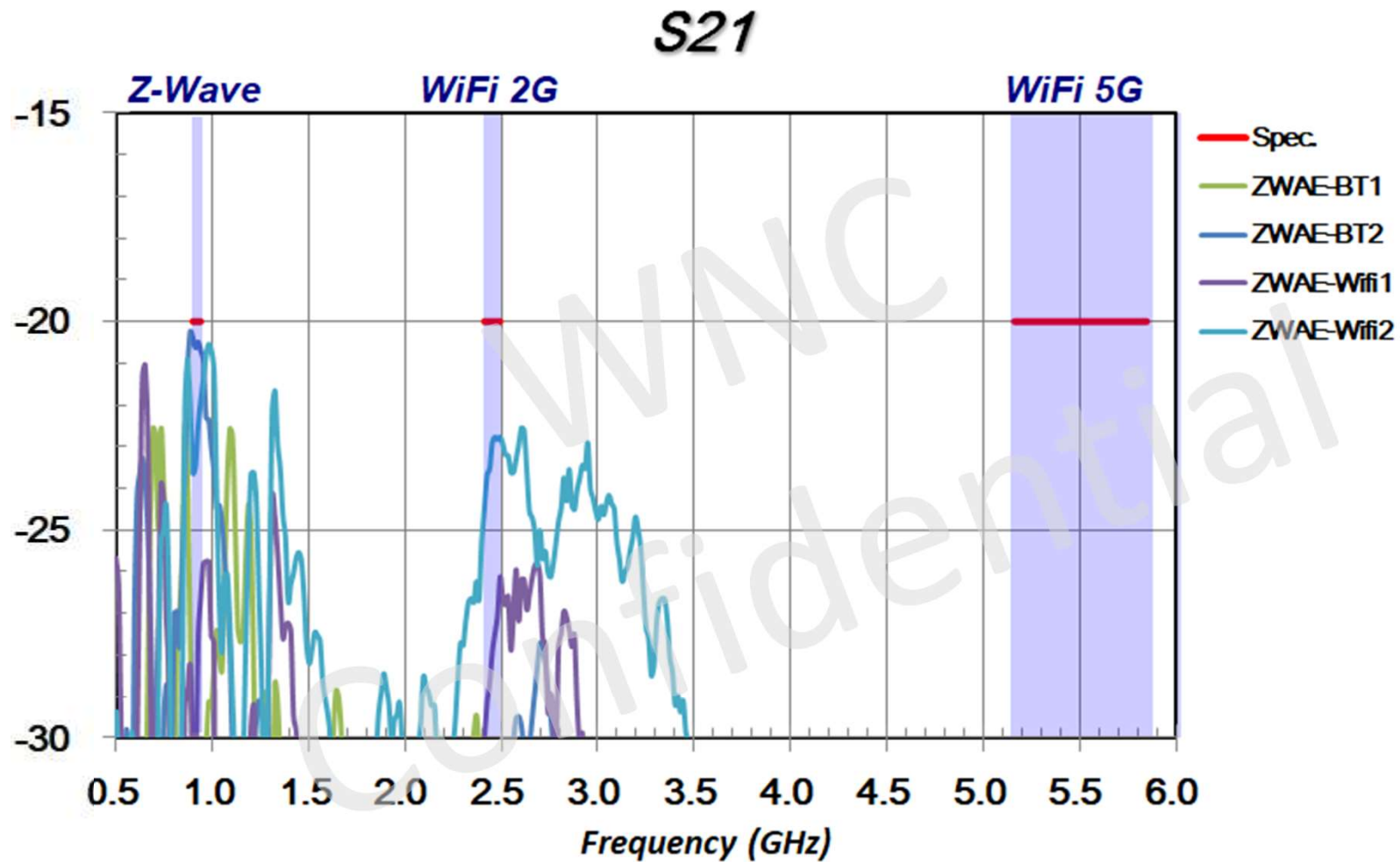


Isolation – WiFi



Isolation more than 20dB among all antennas

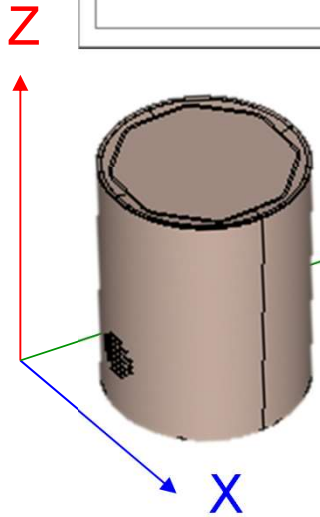
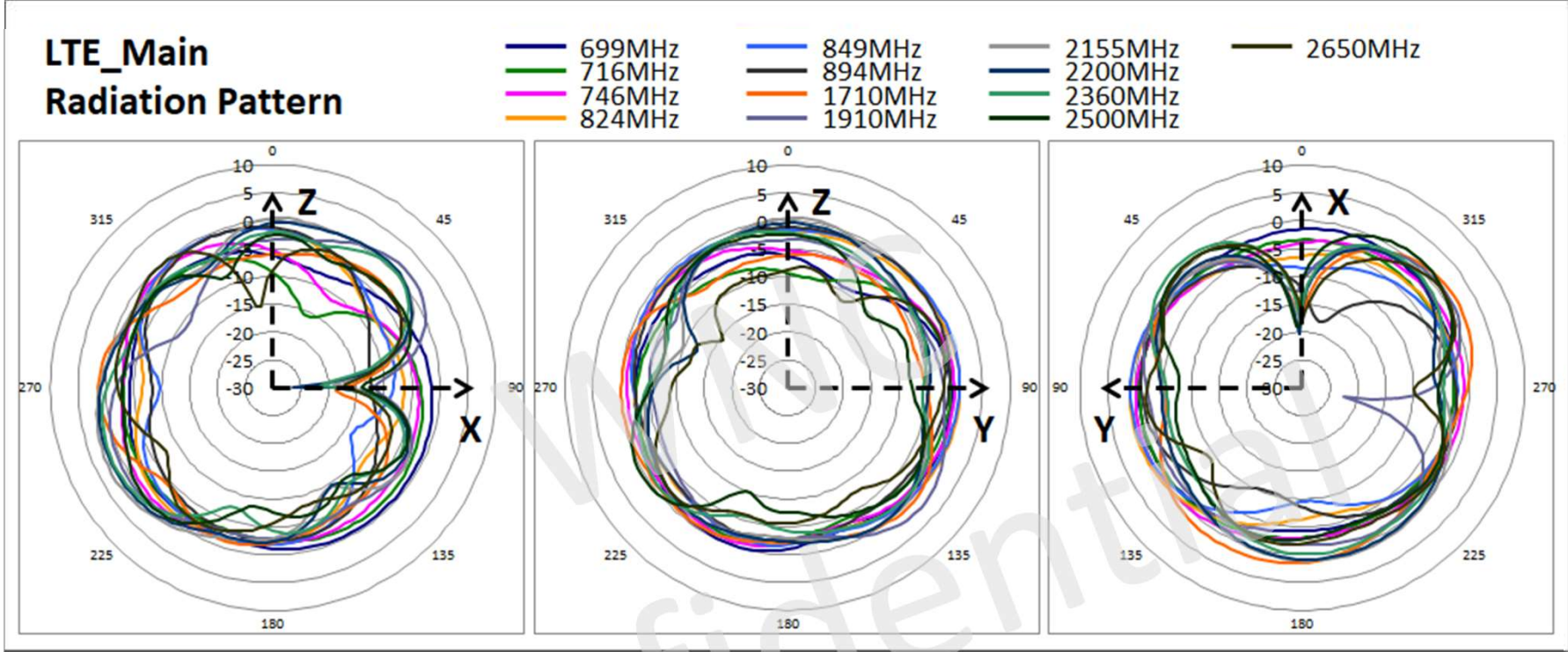
Isolation – ZWAVE



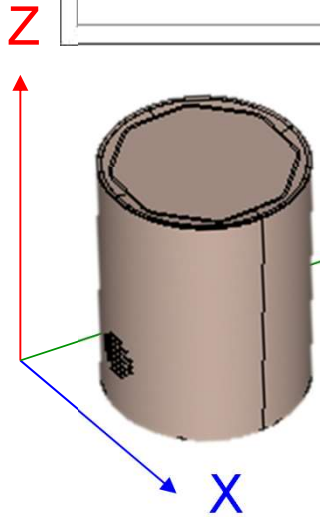
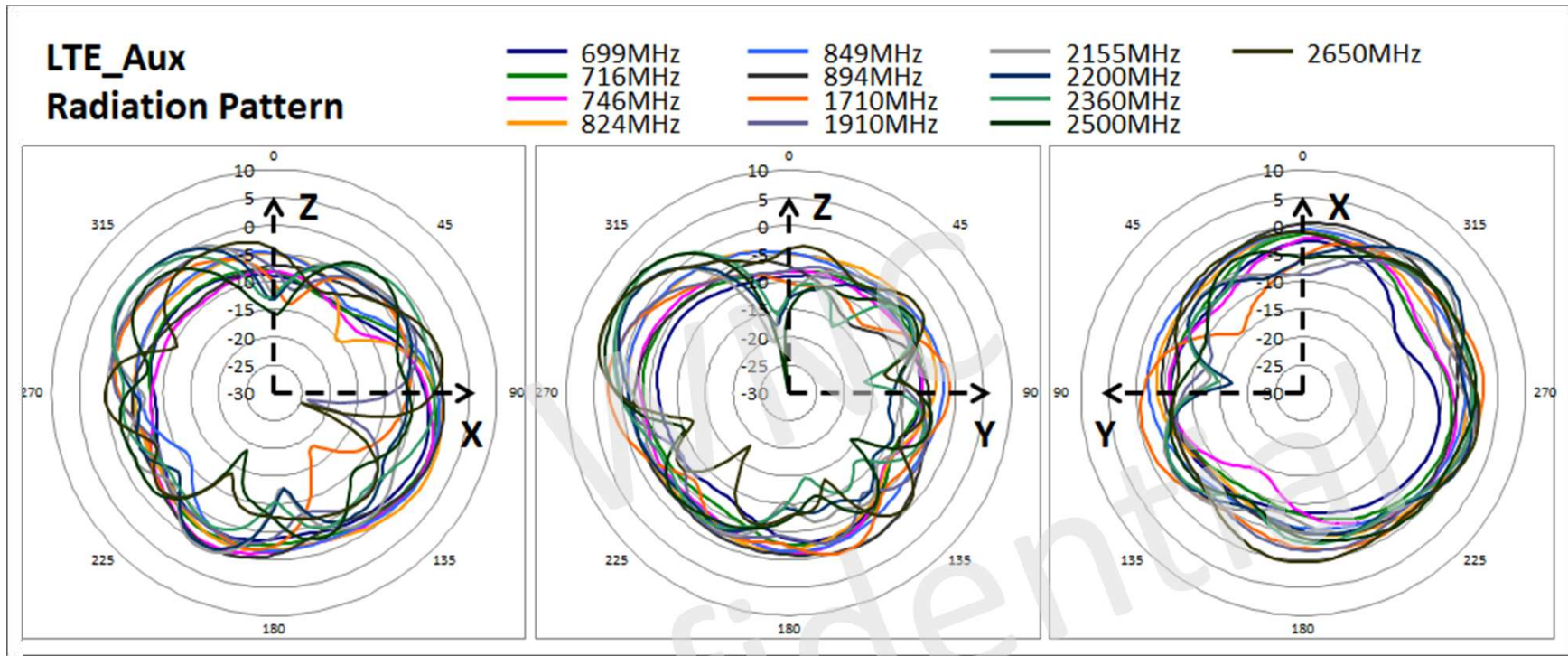
Isolation more than 20dB among all antennas



Antenna pattern – LTE Main



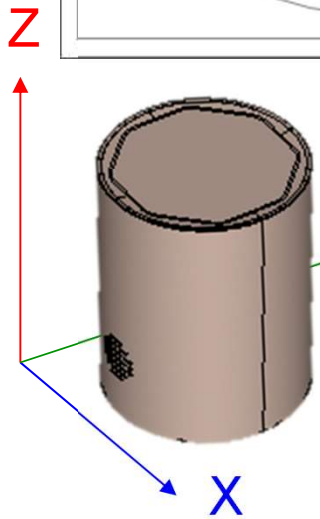
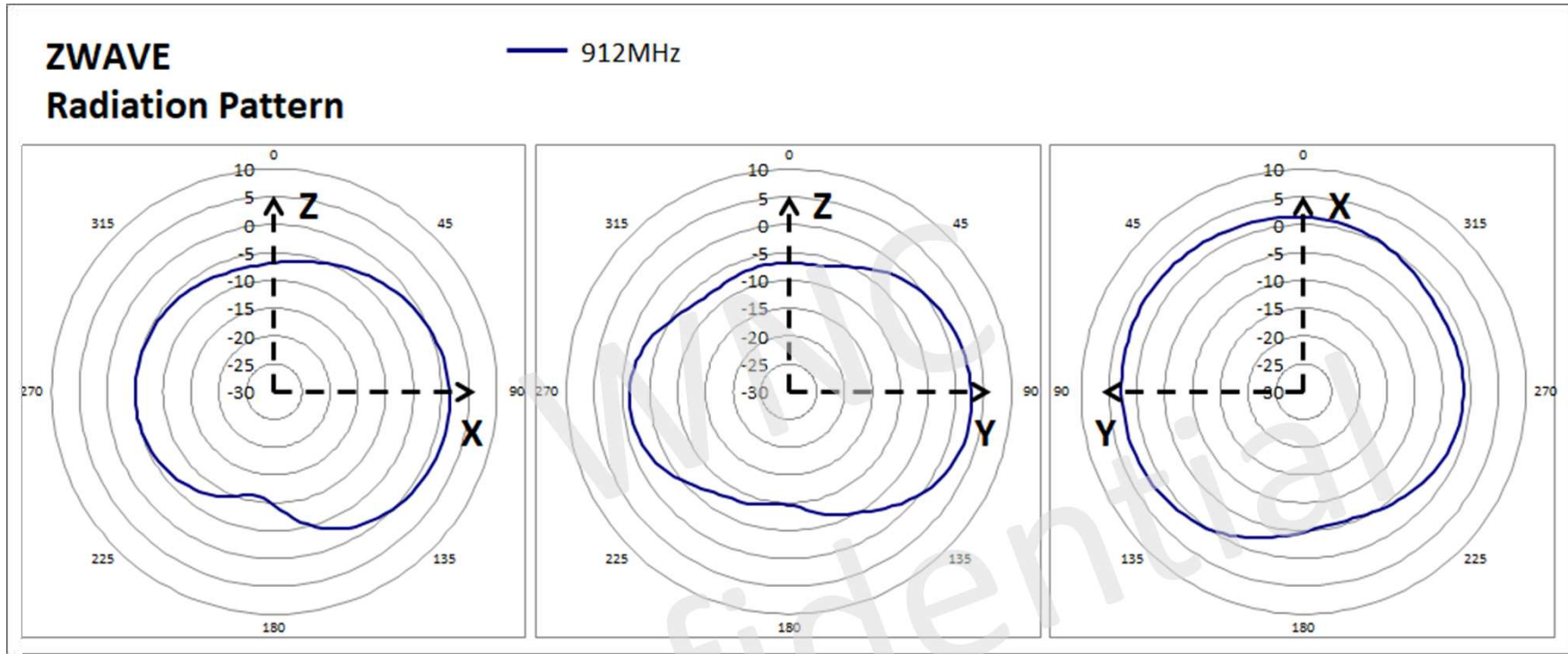
Antenna pattern – LTE Aux



Confidential



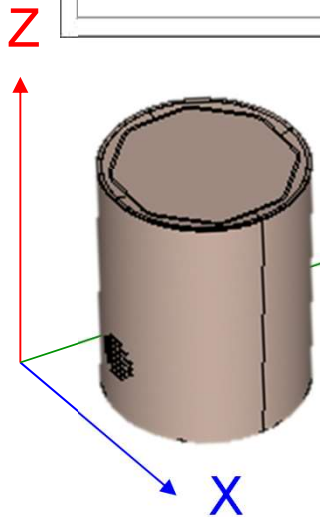
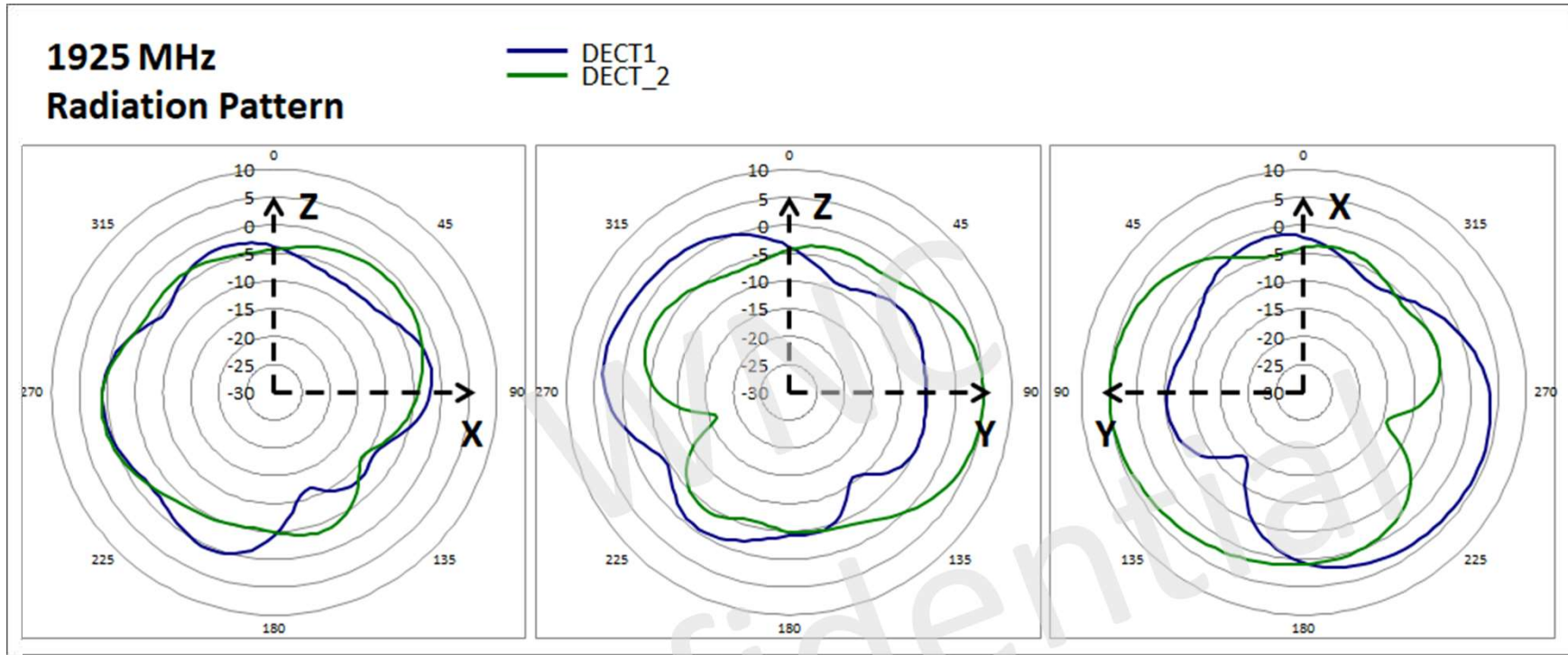
Antenna pattern – ZWAVE



Confidential



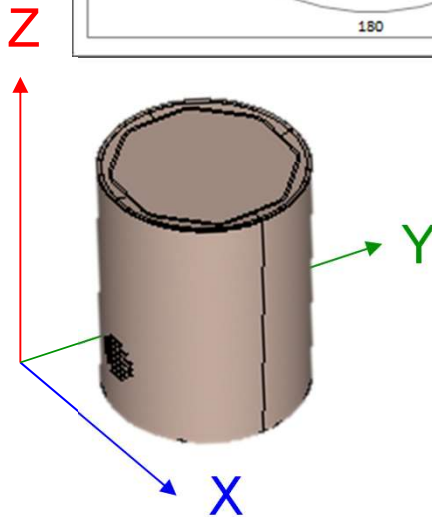
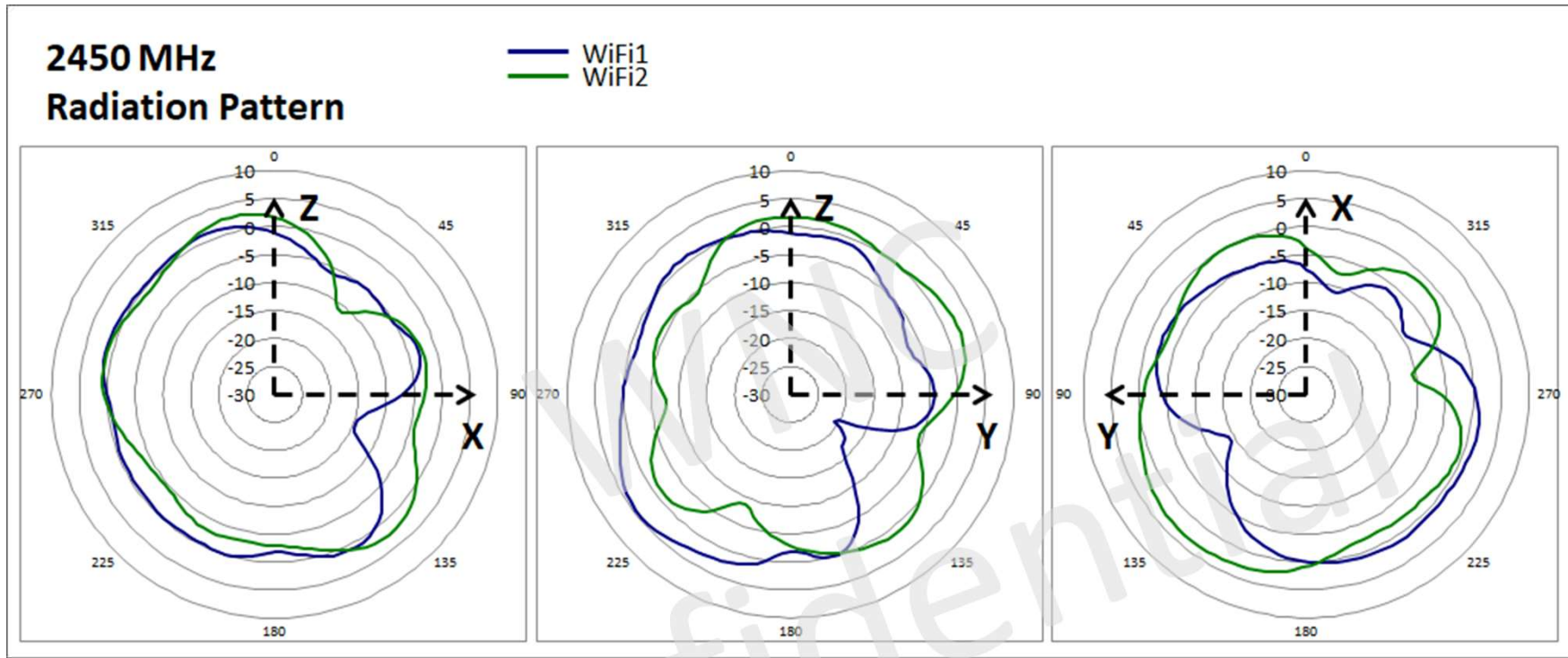
Antenna pattern – DECT



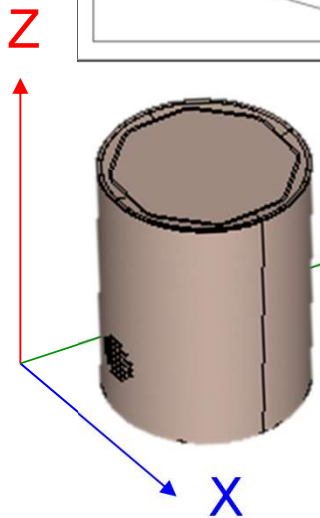
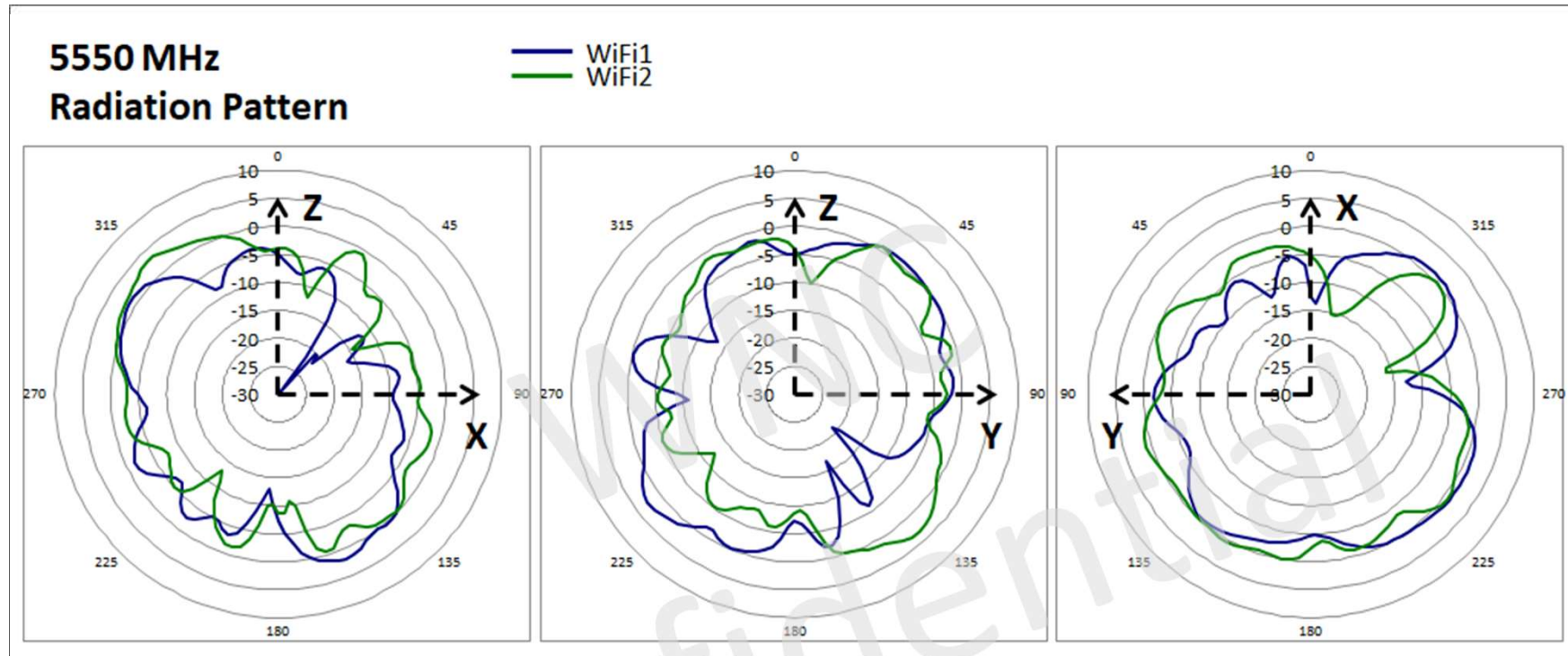
Confidential



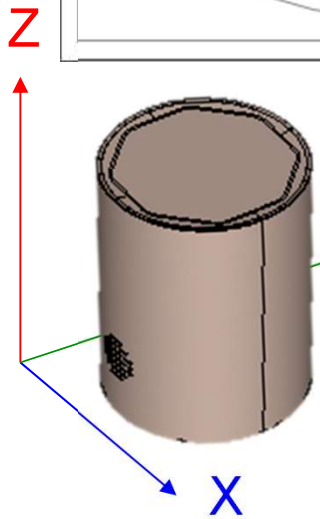
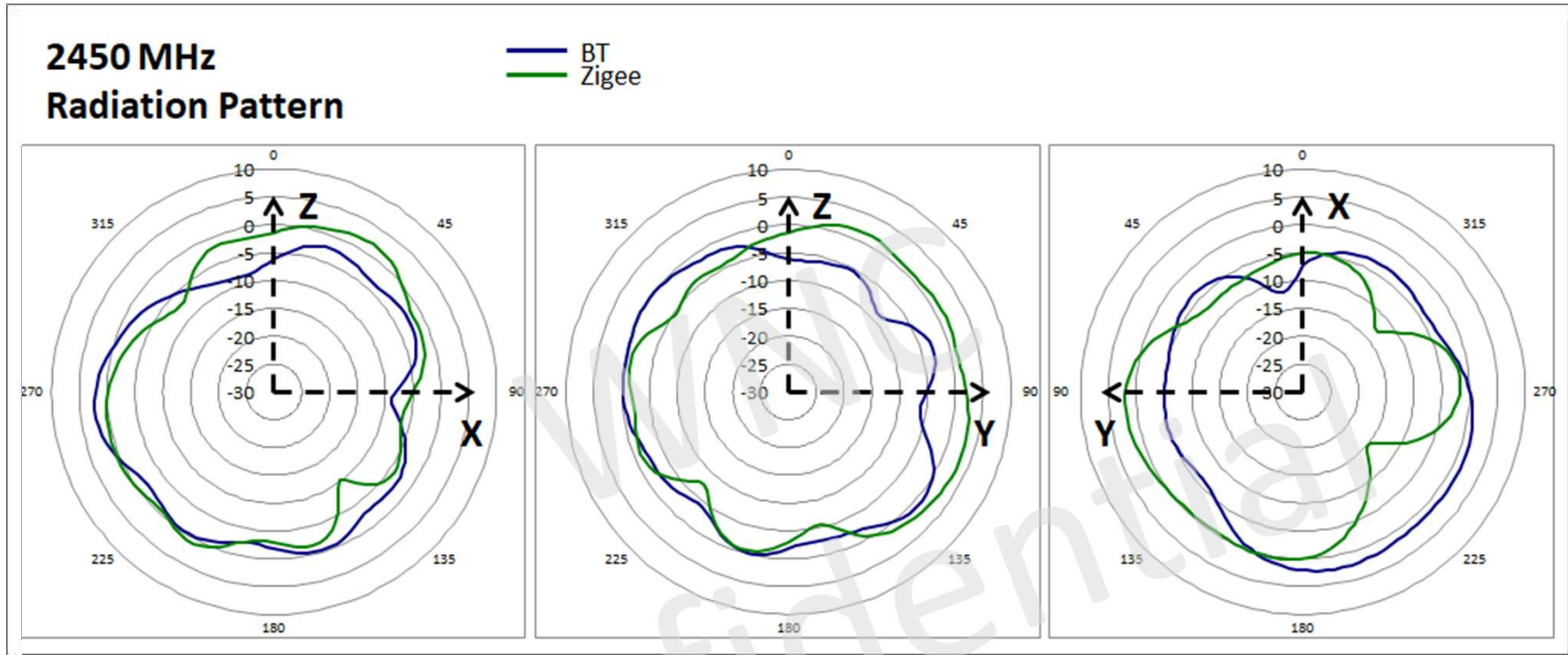
Antenna pattern – WIFI 2450MHz



Antenna pattern – WIFI 5550MHz



Antenna pattern – Bluetooth & Zigbee



Confidential



WNC

Wistron NeWeb Corp.

