

# APPROVAL SHEET

Customer Name: **TPV**

Date: **2018/04/27**

Doc. Version: **1**

OEM P/N	<b>317GAAWA625WNC</b>
WNC P/N	<b>81.EK615.G71</b>
Description	<b>ALBERTVILLE, 39TV WIFI AUX ANTENNA, EK6-TP1</b>
Version	<b>1A</b>

Provided By Wistron NeWeb Corp	Reviewed By Wistron NeWeb Corp	Approved By Customer
<b>Yang Shun Liu</b>	<b>Feng Hsieh</b>	

Wistron NeWeb Corporation  
No. 20 , Science Road 2,  
Hsinchu Science Park  
Hsinchu 300, Taiwan, R.O.C.  
TEL: +886-3-666-7799  
FAX: +886-3-666-7322  
<http://www.wneweb.com>

啟碁科技股份有限公司  
新竹市 300 科學園區園區二路 20 號  
電話：(03) 666-7799  
傳真：(03) 666-7322



# Index

---

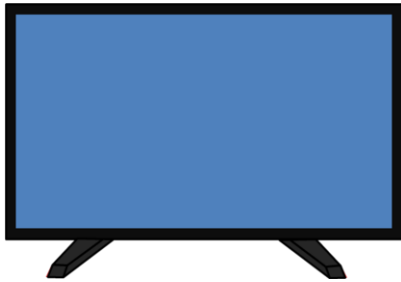
- 1. Introduction**
- 2. Revision History**
- 3. Product Specifications**
- 4. Antenna Performance**

## 1. Introduction

### Antenna for 802.11a+n+g system

#### WLAN AUX antenna (PIFA)


1. Location: Top Left of the TV Back Panel
2. Cable length : 164 mm, Black (connector with  $\Phi$  1.37mm RF cable)



Front View



Back View

WLAN AUX Antenna	
Position	Top Left of the TV Back Panel
Antenna Type	PIFA
Cable	Cable color : Black, 1.37 (dia) x 164mm , RF connector
Weight	2.60 g
Photos	

## 2. Revision History

Date	Version	Revision History
04/27/18	1	New Release

## 3. Product Specifications

### 3.1 Specifications of Antenna Design

#### 3.1.1 VSWR

WLAN	IEEE 802.11 g/n			IEEE 802.11 a/n		
	2400MHz	2450MHz	2483MHz	5150MHz	5470MHz	5850MHz
VSWR	<2			<2		

#### 3.1.2 Efficiency

WLAN	IEEE 802.11 g/n			IEEE 802.11 a/n		
	2400MHz	2450MHz	2483MHz	5150MHz	5470MHz	5850MHz
Efficiency	>40%			>50%		

### 3.2 Mechanical Specifications

See the attached drawing.

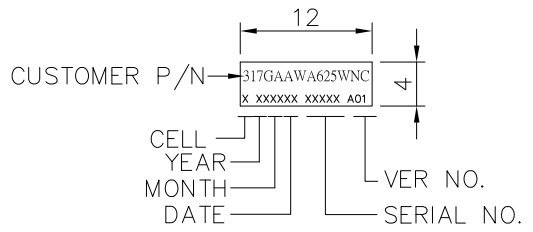
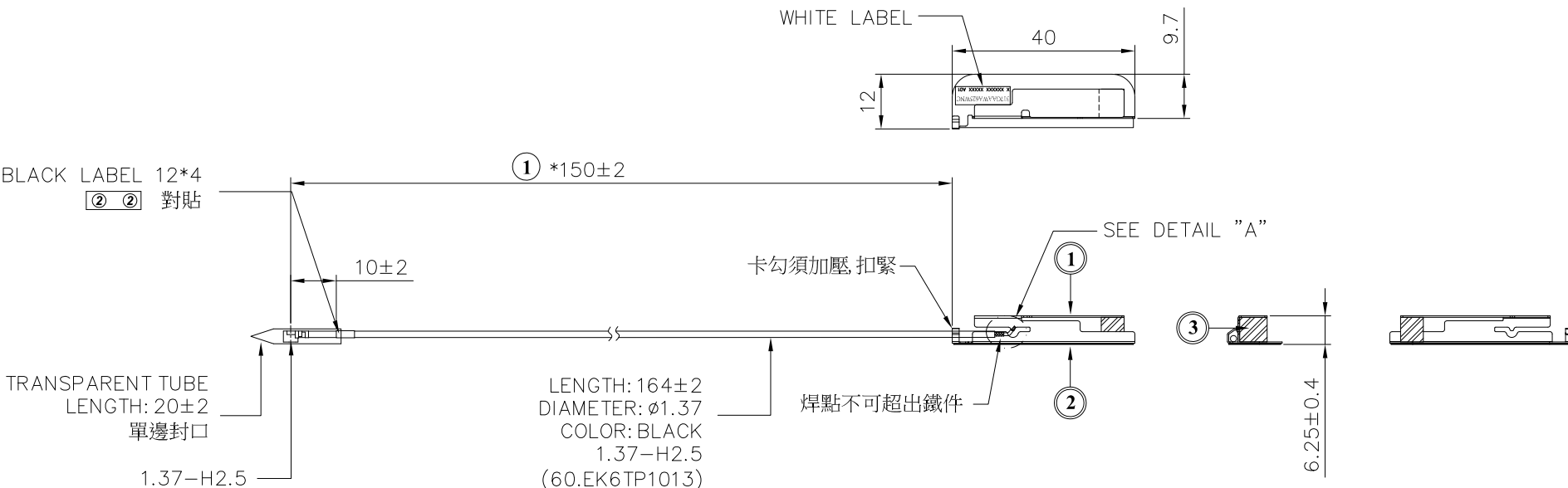
1

2

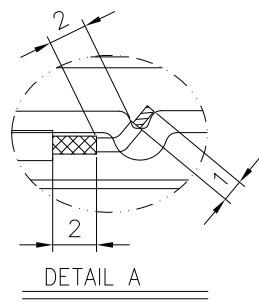
WNC CONFIDENTIAL

PART NUMBER BLOCK		CUSTOMER P/N BLOCK		CONFIRM ANTENNA SPEC.	
PART NUMBER	REV	PART NUMBER	REV	APPROVED	DATE
57.EK615.071	1	317GAAWA625WNC	A01	YANG SHUN LIU	06/20/18

REVISIONS				
ZONE	REV	DESCRIPTION	DATE	APPROVED
	1	RELEASE TO FILE	06/20/18	VINCENT CC LIN



DETAIL OF LABEL  
SCALE : 2/1



DETAIL A  
SCALE: 4/1

"\*"ARE THE CRITICAL DIMENSIONS

3	3T.EK6TP1.005	BUFFER, BT-39, EVA60_5MM, EK6-TP1	EA	1
2	3T.EK6TP.003	PLATE, AL FOIL, BT-43, EK6-TP1	EA	1
1	3S.EK6TP.00F	ANTENNA, SUS-1, BT-39, EK6-TP1	EA	1
ITEM	PART NO.	DESCRIPTION	UNIT	QTY

ONLY ME PARTS REFERENCE

81.EK615.G71	EK6-TP1
NEXT ASSY	USED ON
APPLICATION	

UNLESS OTHERWISE SPECIFIED ALL DIMENSIONS ARE IN mm AND TOLERANCES ARE:			
INTEGER DIMENSIONS	±0.2	ANGULAR DIMENSIONS	±1°
1 PLACE DECIMAL	±0.1	HOLES UNDER Ø5.00	±0.05
2 PLACE DECIMALS	±0.05		
MATERIAL: NA			
FINISH: NA			
THIRD ANGLE PROJECTION	DRAWN	STACY CHANG	06/20/18
	ENGR	YANG SHUN LIU	06/20/18
	APVD	VINCENT CC LIN	06/20/18

**WNC 啟碁科技股份有限公司**  
 Wistron NeWeb Corp.  
 20 Park Avenue II, Hsinchu Science Park,  
 Hsinchu 308, Taiwan, R.O.C.  
 Tel: 886-3-6667799 Fax: 886-3-5788726

DWG TITLE  
 ALBERTVILLE, 39TV WIFI AUX ANTENNA, EK6-TP1

SIZE DWG NO. REV  
**A3** 57.EK615.071 1

SCALE 1/1 SHEET 1 OF 1

1

2

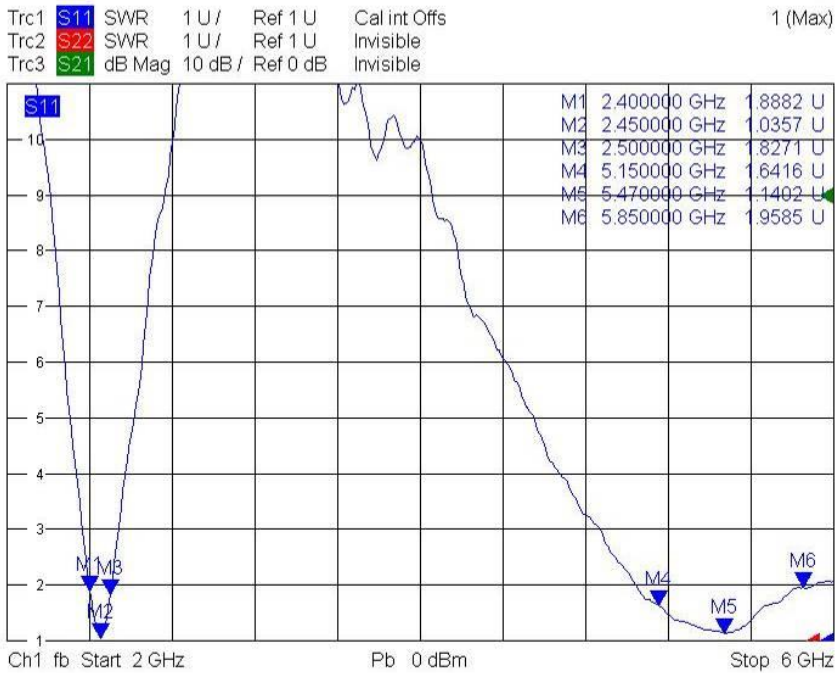
### 3.3 Antenna Material List

Items	Description
Antenna	3S.EK6TP.008WS
Cable	Φ1.37 Cable(Black)
Connector	IPEX
Adhesive	TT219
BUFFER	EVA60

## 4. Antenna Performance

### 4.1 VSWR

#### Aux



## 4.2 Efficiency data

### Aux

Freq(GHz)	Efficiency(%)	Efficiency(dB)
2400	49.11	-3.09
2450	58.2	-2.35
2500	50.41	-2.97
5150	66.51	-1.77
5250	69.85	-1.56
5350	73.89	-1.31
5470	72.2	-1.41
5600	66.61	-1.76
5725	67.7	-1.69
5785	66.21	-1.79
5850	61.87	-2.09

## 4.3 Peak Gain

Frequency (MHz)	Gain (dBi)
2400	0.36
2450	0.68
2500	-0.34
5150	1.94
5250	2.04
5350	2.47
5470	2.36
5600	2.02
5725	2.42
5785	2.08
5850	2.09

## 4.4 Antenna Pattern

### Aux

