



MAC LIFT®

PROFESSIONAL SERIES

Garage Door Opener System Owner's Manual



Contains installation, operating,
maintenance, & warranty instructions.

For residential use only.

**SAMPLE
ONLY!**

DO NOT REPRODUCE

Owner's Manual Contents:

Contents	Page
Introduction	3
General Features	3
Important Note	3
General Safety Information	4
Tools	4
Item Inventory	5
Garage and Door	6
Door Construction	7
Important Installation Instructions	8
Installation Overview	9
Installation Steps	10-25
1. Measure and Mark	10
2. Door Reinforcement	10
3. Header Bracket Installation	11
4. Door Bracket Installation	11
5. Rail to Opener Head	12
6. Rail to Header Bracket	13
7. Position Opener for Mounting	13,14
8. Mount Opener To Ceiling	14
9. Light Bulb and Lens	15
10. Photo Eye Safety System	16
11. Wall Control Panel or Pushbutton Installation	17
12. Connect Arm to Door and Trolley	18
13. Emergency Release	19
14. Electrical Requirements	20
Converting from cord to permanent fixed wiring	20
15. Control Panel Display	21
16. Adjustments/Settings	22, 23
17. Safety Reversal Test	24
18. Photo Eye Safety Check	24
19. Label Mounting and Instruction Storage	25
Operation	26-29
Safety Instructions	26
Operation	27
Wall control panel	27
Push-button	27
Opener Lights	27
Transmitter	27,28
Rail Tension Adjustment and Rail Length	29
Maintenance and Adjustments	30
Having Problems?	30,31
System Parts	32,33
Diagnostic Troubleshooting	34
Accessories	35
Help and Service	36
Warranty Information	36

Operation of Your Opener (cont'd):

Install Battery

- Remove back cover
- Insert 12V Battery, as shown
- Replace back cover.
- When replacing battery, use 12V of same type.

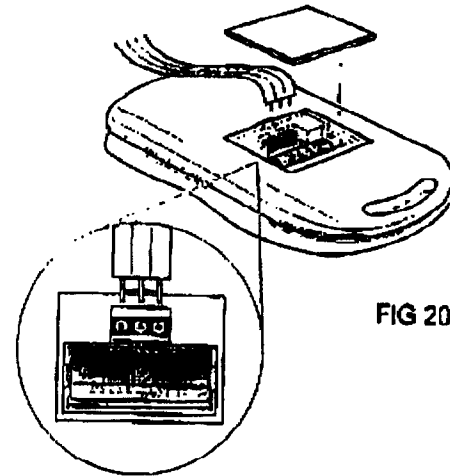


FIG 20.3

Teaching/Learning the Code

Your transmitter comes factory programmed with a random code (for 2 and 4 button versions, a different code is stored for each button).

To transfer the code from one transmitter to another:

- Remove back cover of both transmitters.
- Connect program cable to both transmitters.
- Using the transmitter with the correct code, press and hold the button. The transmitter indicator light blinks.
- While keeping the first transmitter button pressed, press the corresponding button on the new transmitter that you want to have the same code.
- After 1-2 seconds, the indicator light on the new transmitter will illuminate continuously.
- All buttons can be released. Programming is finished.
- Cable can be removed and the back cover replaced.

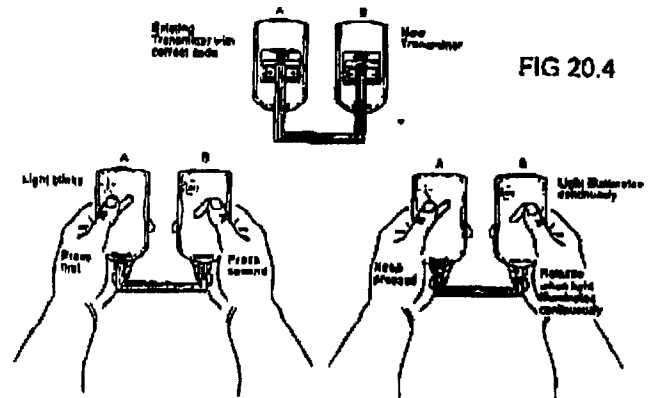


FIG 20.4

For multi-button transmitters, be sure to carry out this procedure for all the buttons you desire to use.

Connecting the mounting plate and visor clip

The transmitter can be used by itself or can be conveniently mounted inside your car in the following ways:

Mounting plate:

- Secure the mounting plate to the dash or other area using 3 small screws or velcro (not provided).
- Snap the transmitter into the mounting plate, which will hold it firmly in place.

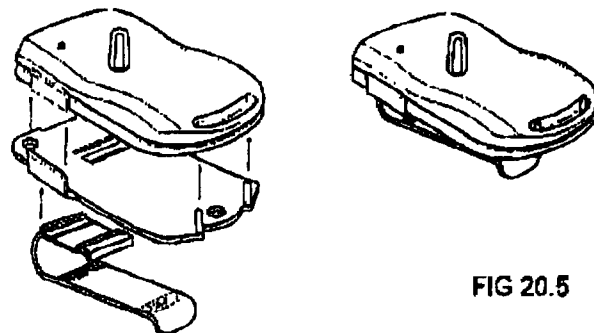


FIG 20.5

Visor Clip:

- Attach visor clip to mounting plate.
- Snap transmitter into mounting plate.
- Affix complete unit to visor.

FCC Certified: This device complies with Part 15 of the FCC rules. Operation is subject to the following two conditions: (1) this device may not cause harmful interference, and (2) this device must accept any interference received, including interference that may cause undesired operation.

Changes or modifications not expressly approved by the party responsible for compliance could void the user's authority to operate the equipment.