

# iLife Technologies

## Fall Alert 313 GENERAL OPERATING MANUAL—DRAFT

### General Product Description

#### Intended Use of Fall Alert 313

Fall Alert 313 is a security system that senses position and monitors falls. Fall Alert 313 is worn by a person considered to be at risk of falling. The system is easy to use, and generates few false alarms. The system originates alarms locally through a Fall Alert 313 Wall Receiver and then into an existing Emergency Response Center (ERC).

#### Emergency Response Center

The Fall Alert 313 system alerts an ERC if the user falls or needs assistance. The system allows two-way voice communication so that the Emergency Response Operator may speak directly with the individual to determine what events have occurred and what actions should be taken. The professionals at the center will then call the caregiver or another designated responder to provide immediate assistance if help is needed. The ERC monitors twenty-four hours a day, seven days a week.

Once the remote wall receiver is connected to a working AC power outlet and a telephone line, and there is a fresh battery in the Fall Alert 313 User Module, the system is ready to automatically dial the Emergency Response Center.

Once the user module is activated, the signal is sent to the wall receiver and through dial-up phone lines to alert the ERC. The ERC is equipped with computers that hold vital information regarding the user's household. This information includes addresses and phone numbers of the user and designated responders, and any special medical information about the user. The Emergency Response Operator then uses this information to alert the proper individual(s) of the wearer's needs. All the while, the Operator is able to communicate with the user through the two-way speaker located in the wall receiver. If the user cannot be contacted, or cannot speak, emergency help will automatically be sent.

#### Fall Detection

# iLife Technologies

The user module is a miniature, self contained, battery operated, electronic fall alert system that uses a combination of referenced tilt angles and G force data that exceed fixed limits, for informing monitoring personnel at a remote location when a monitored person falls.

## Care and Maintenance

The user module does not require any routine cleaning. However, should it become soiled, simply wipe with a wet cloth.

## Changing Batteries

The user module contains one lithium battery. This battery should be changed every thirty (30) days to ensure proper operation.

## Precautions

This section identifies some tips to ensure the proper operation of the personal help pendant.

The user module should be worn somewhere below the shoulders and above the hips for the most accurate and effective placement. Please be sure to thoroughly test the range of the user module prior to use. The Fall Alert 313 unit emergency signal can be detected from as far away as 100 feet depending on the construction, furnishings, and other environmental factors within the home. **DO NOT** submerge any parts of this system in water.

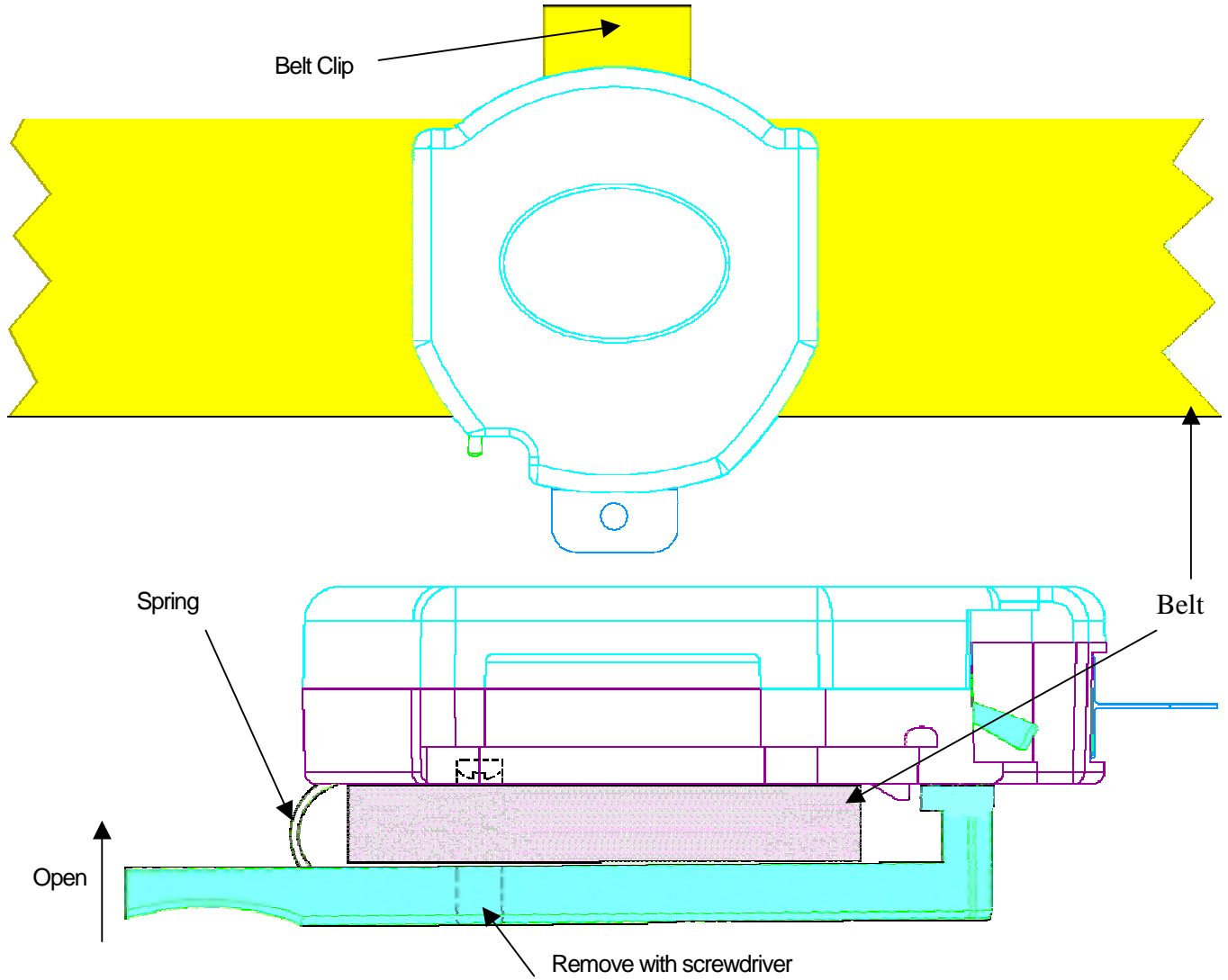
# iLife Technologies

## Attachment Methods

### Fall Alert 313

#### Belt-Clip Attachment

Pepe D:\BrettS\Projects\PEPS\ Patient Modual\BeltClip Attachment.doc

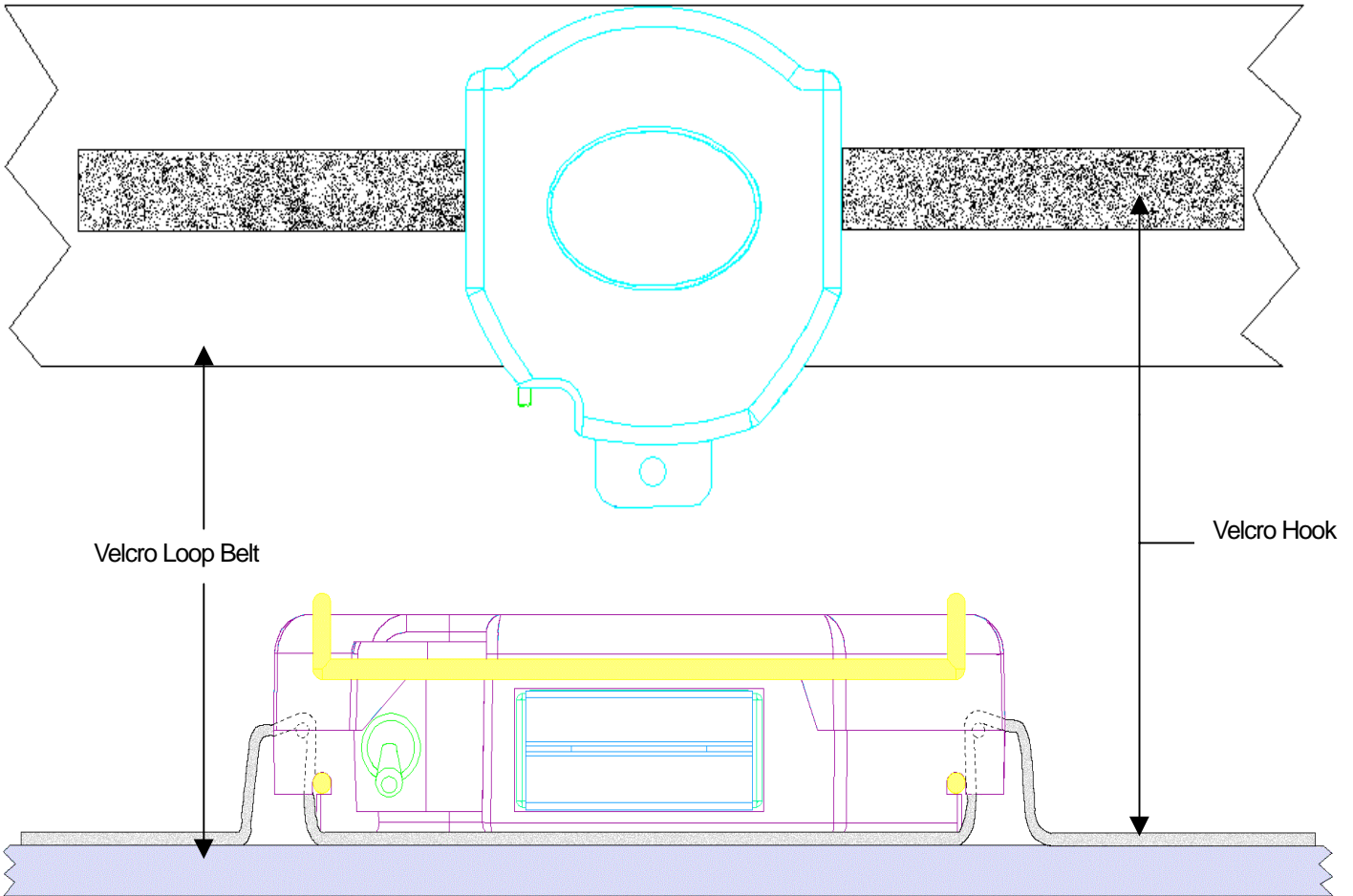


# iLife Technologies

## Fall Alert 313

### Velcro Strap Attachment

Pepe D:\BrettS\Projects\PERs\Patient Modul\Velcro Strap Attachment.doc



# iLife Technologies

## **FCC Emissions Compliance**

*NOTE:* This equipment has been tested and found to comply with the limits for a Class B digital device, pursuant to Part 15 of the FCC Rules. These limits are designed to provide reasonable protection against harmful interference in a residential installation. This equipment generates, uses and can radiate radio frequency energy and, if not installed and used in accordance with the instructions, may cause harmful interference to radio communications. However, there is no guarantee that interference will not occur in a particular installation. If this equipment does cause harmful interference to radio or television reception, which can be determined by turning the equipment off and on, the user is encouraged to try to correct the interference by one or more of the following measures:

- Reorient or relocate the receiving antenna.
- Increase the separation between the equipment and receiver.
- Connect the equipment into an outlet on a circuit different from that to which the receiver is connected.
- Consult the dealer or an experienced radio/TV technician for help.

***CAUTION:*** Changes or modifications not expressly approved or authorized by the manufacturer may violate the compliance of this equipment to the Class B limits for a digital device and could, thereby, void the users authority to operate the equipment