





MADGE NETWORKS LTD.  
 1988 WINDMILL ROAD  
 WIMBORNE, DORSET, ENGLAND, U.K.  
 TEL: 01424 65000  
 FAX: 01424 65001

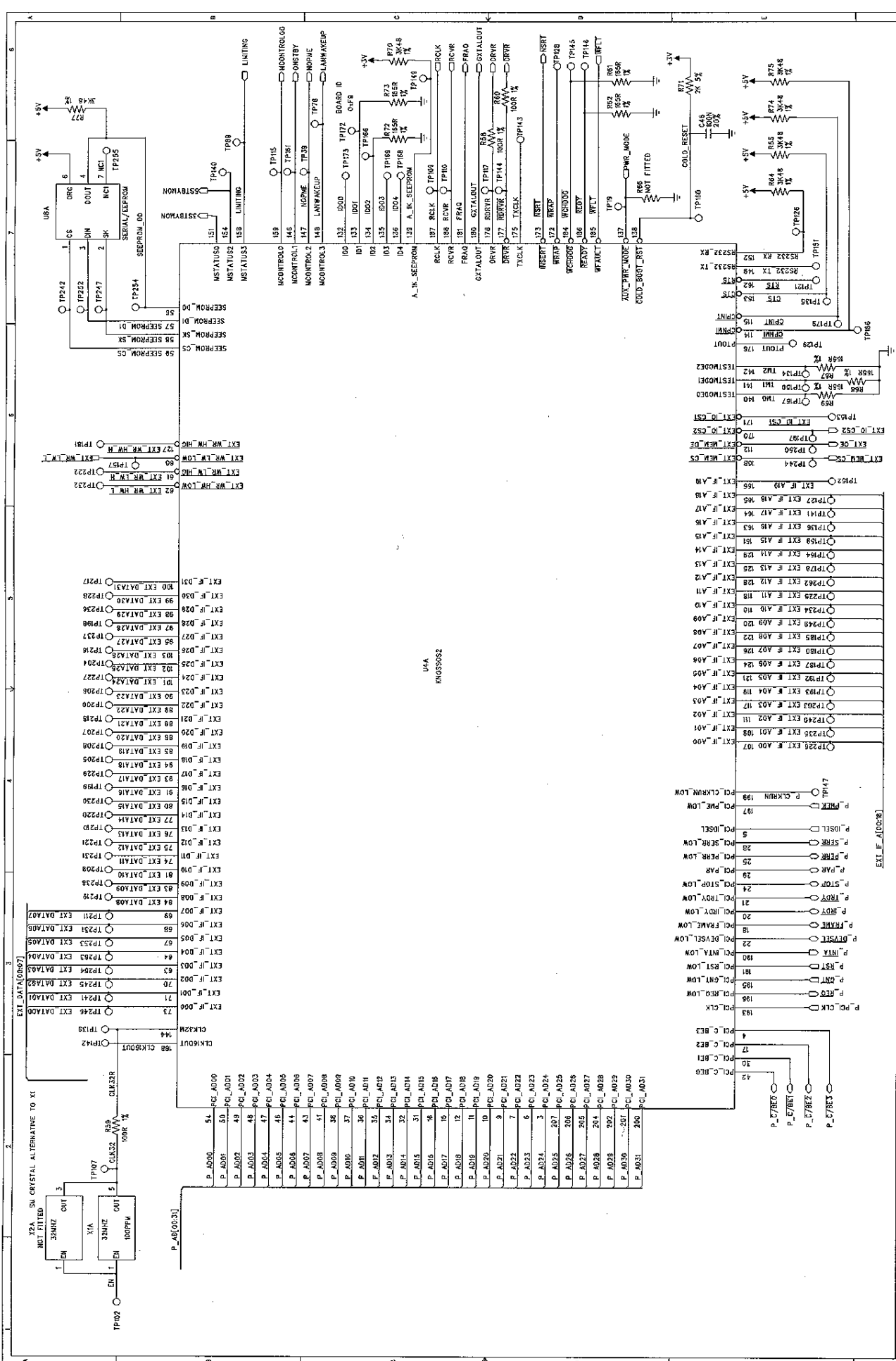
PROJECT: RAGSUS05  
 SHEET: 2 OF 6  
 DRAWING NO: 992-355  
 ISSUE: 02

DATE: MAY 98  
 DRAWN BY: RAG  
 TESTMODEZ  
 TESTMODEE  
 TESTMODEI  
 TESTMODEJ  
 TESTMODEK  
 TESTMODEL  
 TESTMODEM  
 TESTMODEN  
 TESTMODEO  
 TESTMODEP  
 TESTMODEQ  
 TESTMODER  
 TESTMODES  
 TESTMODET  
 TESTMODEU  
 TESTMODEV  
 TESTMODEW  
 TESTMODEX  
 TESTMODEY  
 TESTMODEZ

DATE: 01/MAY/1998  
 DATE  
 PRELIMINARY ISSUE  
 MODIFICATION

01  
 SMT. USE

# OEM COMPAQ PCI-3

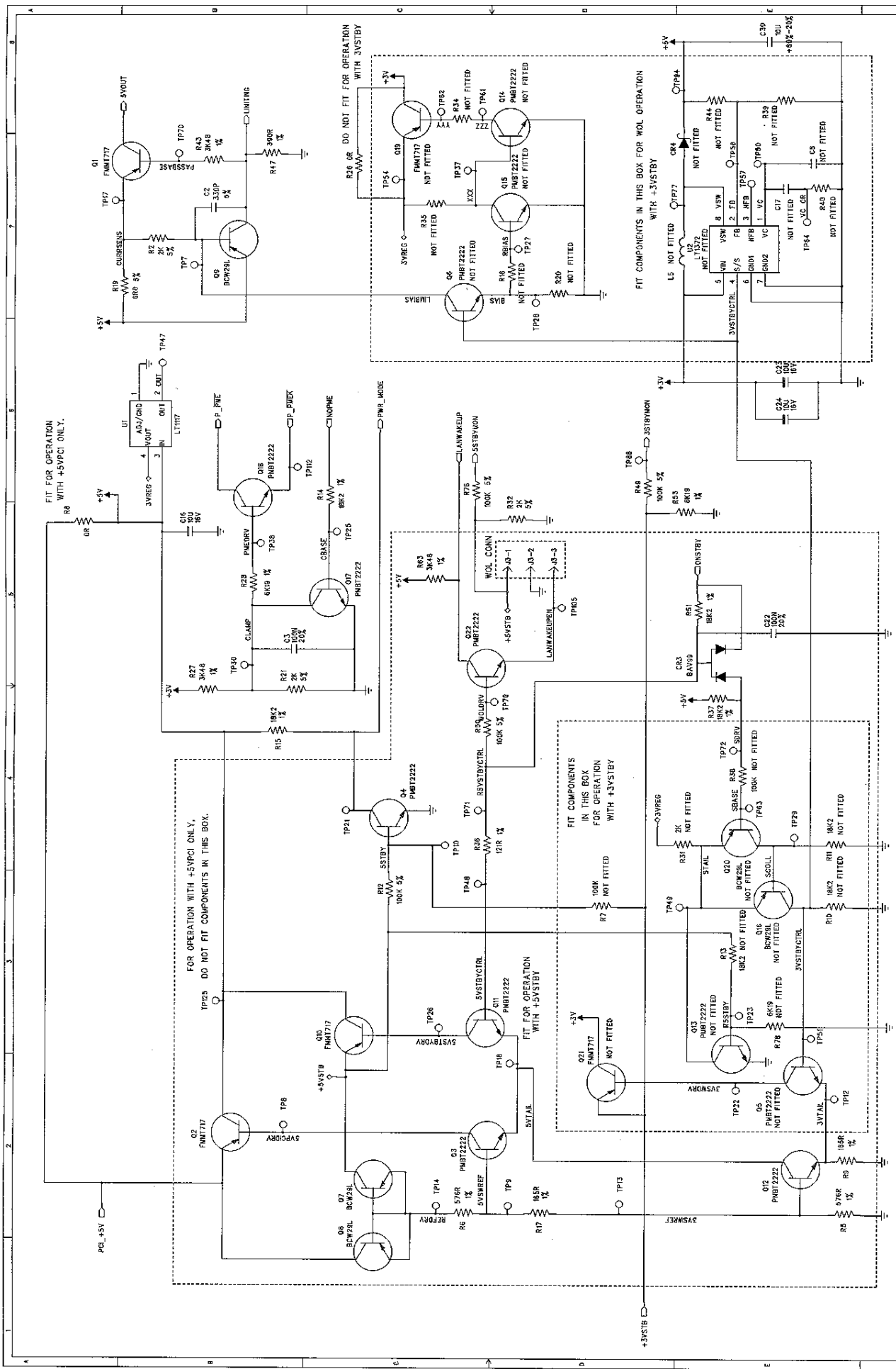


U1A  
 RAGSUS052









TITLE:		OEM COMPAQ PCI-3	
CORRECTION TO "NOT FITTED" COMPONENTS:		03/JUNE/1998	01/MAY/1997
PRELIMINARY ISSUE			
MODIFICATION			
SHT. 15:			
DRAWN BY: RAC	PROJECT: KNOSSES		
DATE: MAY1998	SHEET: 6 OF 6		
DRAWING NO: 902-356	ISSUE: 02		
MADE NETWORKS LTD. NEWHAM SQUARE WALTHAM CROSS RD ENGLAND, U.K.		TEL: 01953 81000 FAX: 01953 81001	