


OUTLINE FOR REFERENCE ONLY

SIEMENS

SITRANS LR250
 7ML1234-56789-0ABC-D
 Serial No: GYZ / S1034567
 Encl.: NEMA / TYPE 4X, 6, IP67, IP68
 Amb.Temp.: - 40 °C to 80 °C
 Power Rating: 30 V $\overline{=}$ Max., 10.5 mA

Siemens Milltronics Process Instruments Inc., Peterborough
 Made in Canada



IC: 267P-LR250
 FCC ID: NJA-LR250
 PROFIBUS PA

FM
APPROVED

CE **!** 0891

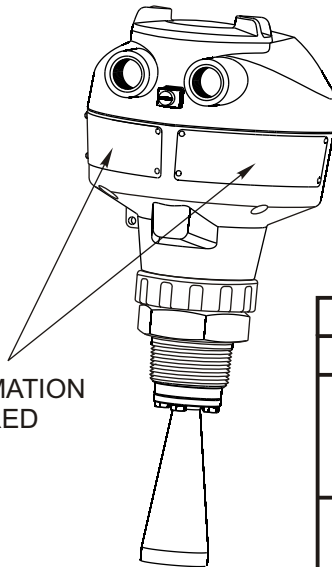
This device complies with Part 15 of the FCC Rules.
 Operation is subject to the following two conditions
 1) This device may not cause harmful interference and
 2) This device must accept any interference received,
 including interference that may cause undesired operation

N117

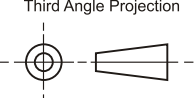
SP
C US
159134

NOTES:

- 1) NAMEPLATE INFORMATION ABOVE TO APPEAR CENTERED ON 2 STAINLESS STEEL BLANKS 24251309
- 2) COLOUR: ALL TEXT & ARTWORK TO BE BLACK ON SILVER
- 3) ENGRAVING PROCESS IS Nd:YAG LASER MARKING.
- 4) PRODUCT CONFIGURATION NUMBER SHOWN IS FOR EXAMPLE ONLY.
- 5) SERIAL NUMBER SHOWN IS FOR EXAMPLE ONLY. CHARACTER 5 ENCODES YEAR OF MANUFACTURE AS FOLLOWS : S = 2004, T = 2005, U = 2006, V = 2007, W = 2008, X = 2009.



NAMEPLATE INFORMATION
 TO APPEAR CENTERED
 IN THIS AREA
 (SEE NOTE 1)

	1	ADD CTICK REVISE IC NUMBER PER ECO 79B34794	RPC	EDS	JAN 16/2007	
	0	FOR CONSTRUCTION	RPC	SN	AUG 03/2005	
USE DIMENSIONS ONLY - DO NOT SCALE	Rev.	Revision / ECN Description	Drawn	Appr.	Date	
DIMENSIONS ARE IN INCHES						
	Product Group	RADAR	Tolerance Unless Otherwise Noted: UOS 1 Place Decimal \pm 0.03 Angles: \pm 0.5° 2 Place Decimal \pm 0.01 3 Place Decimal \pm 0.002		Scale: NTS	Size: A
	Date:	03 / AUGUST / 2005	TITLE: SITRANS LR250, PROFIBUS PA, CSA, FM, IND CAN, FCC, C-TICK NAMEPLATE DRAWING			
Drawn:	R. CLYSDALE					
Checked:	T. LITTLE					
FOR INTERNAL USE ONLY	Approved:	S. NGUYEN	TITLE: SITRANS LR250, PROFIBUS PA, CSA, FM, IND CAN, FCC, C-TICK NAMEPLATE DRAWING			
	Location:	PETERBOROUGH				
	SIEMENS MILLTRONICS PROCESS INSTRUMENTS INC. Peterborough, Ontario, Canada		DRAWING No: 24251525	Rev. 1		
File No.	2425152501	Plot at:	1 : 1	Sheet 1	Of 1	