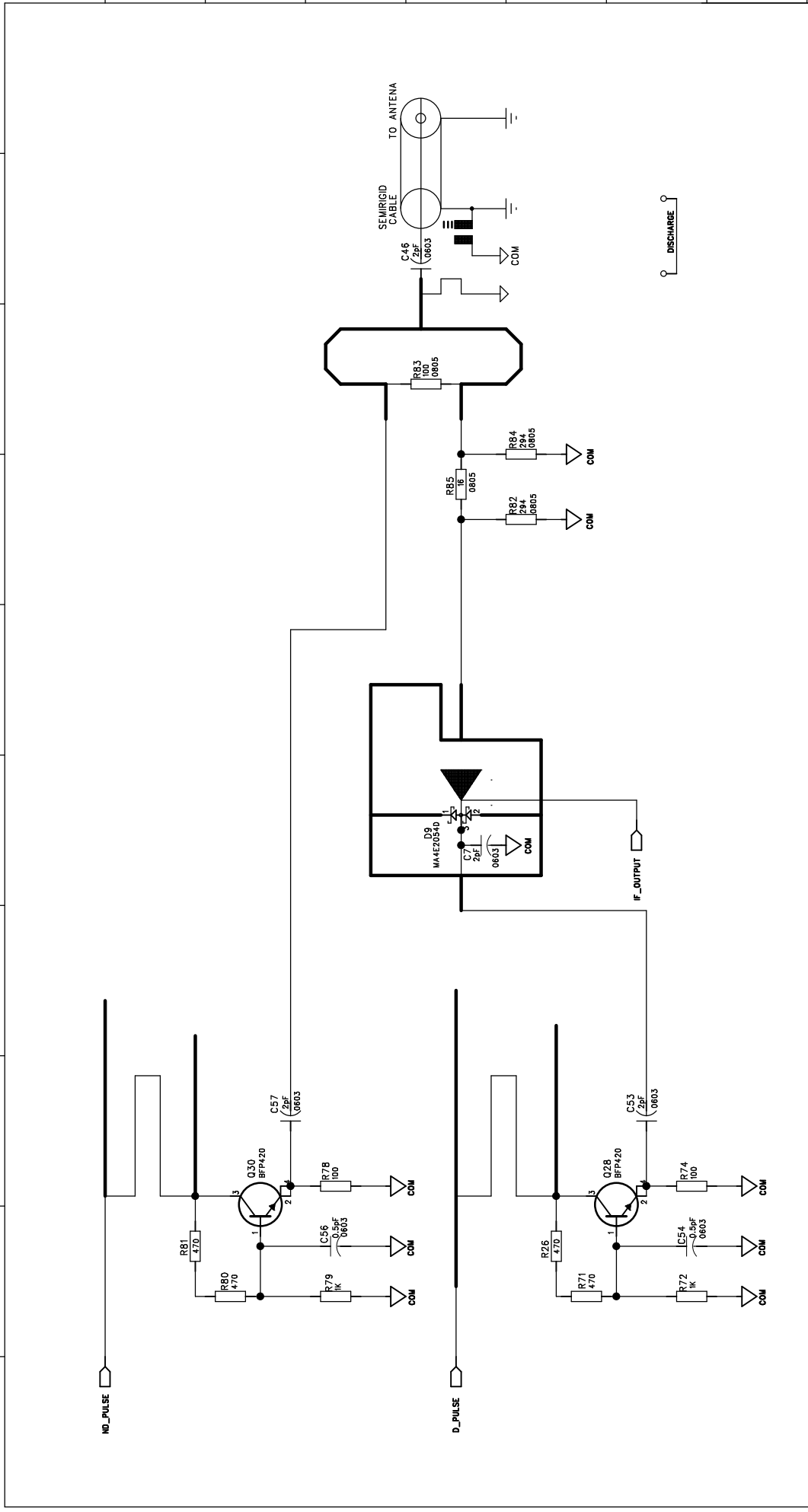


A B C D E F G H J K

1 2 3 4 5 6 7 8



<p>CONFIDENTIAL</p> <p>IMPORTANT NOTICE</p> <p>THIS DOCUMENT REMAINS THE PROPERTY OF SIEMENS MILLTRONICS AND IS TO BE KEPT IN CONFIDENTIALITY. IT IS NOT TO BE REPRODUCED, COPIED, OR TRANSMITTED IN ANY FORM OR BY ANY MEANS, ELECTRONIC OR MECHANICAL, INCLUDING PHOTOCOPYING, RECORDING, OR BY ANY INFORMATION STORAGE AND RETRIEVAL SYSTEM, WITHOUT THE WRITTEN PERMISSION OF SIEMENS MILLTRONICS. SIEMENS MILLTRONICS ASSUMES NO LIABILITY FOR THE USE OF THIS DRAWING DOES NOT IMPLY ANY LICENSE UNDER ANY SUCH RIGHTS.</p> <p>© COPYRIGHT SIEMENS MILLTRONICS ALL RIGHTS RESERVED</p>	SCALE	TITLE	DATE
	DRAWN A. SOLDZHEN	TRIDENT RADAR TECHNOLOGY BOARD	05-08-2003
	CHECKED Q. LYON	NOTES MICROWAVE PART	
APPROVED I. VAN ZYL		SIEMENS MILLTRONICS PROCESS INSTRUMENTS INC. PETERBOROUGH, ONTARIO, CANADA	DRAWING NO. 7017
		PROJECT NO. 2475161606Rev1,PCB	FILE 2475161606Rev1.SCH
		SHEET 7 OF 8	REV 1