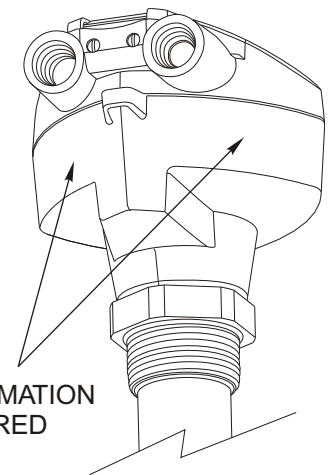


PRODUCT NAME BOX 1 : SITRANS LR 200 or SITRANS Probe LR
 OPERATING FREQUENCY BOX 2 : 5.8 GHz or 6.3 GHz
 (FCC STATEMENT APPEARS ONLY ON 6.3 GHz VERSION)
 PRODUCT NAME BOX 3 : LR 200 or Probe LR

NOTES:

- 1) NAMEPLATE INFORMATION ABOVE TO APPEAR CENTERED ON STAINLESS STEEL BLANK 24251309 FOR METAL HOUSING OR DIRECTLY ON PLASTIC HOUSING
- 2) COLOUR: ALL TEXT & ARTWORK TO BE BLACK ON SILVER OR LIGHT BASIC BACKGROUND.
- 3) ENGRAVING PROCESS IS Nd:YAG LASER MARKING.
- 4) SERIAL NUMBER & FCC NUMBER SHOWN IS FOR EXAMPLE ONLY.
- 5) ADDITIONAL INFORMATION NOT RELATING TO APPROVALS MAY BE ADDED OR REMOVED.



NAMEPLATE INFORMATION TO APPEAR CENTERED IN THIS AREA

	1	ADD FCC STATEMENTS AND IND CAN NUMBER PER ECN 2003-0136	RPC	TA	APRIL 02/03
USE DIMENSIONS ONLY - DO NOT SCALE	0	FOR CONSTRUCTION	RPC	MF	FEB 27/03
DIMENSIONS ARE IN INCHES	Rev.	Revision / ECN Description	Drawn	Appr.	Date
<p>Third Angle Projection</p>	Product Group RADAR		Tolerance Unless Otherwise Noted: UOS 1 Place Decimal ± 0.03 Angles: ± 0.5° 2 Place Decimal ± 0.01 3 Place Decimal ± 0.002		Scale: NTS
	Date: 27 / FEB / 2003				Size: A
<p>CONFIDENTIAL IMPORTANT NOTICE</p> <p><small>THIS DOCUMENT REMAINS THE PROPERTY OF SIEMENS MILLTRONICS AND IS SUBJECT TO RECALL. IT MAY NOT BE COPIED, AND IS ISSUED AND CAN BE UTILIZED ONLY FOR SUCH LIMITED PURPOSES AS MAY SPECIFICALLY HAVE BEEN AUTHORIZED BY SIEMENS MILLTRONICS. IT IS TO BE MAINTAINED CONFIDENTIAL SINCE IT MAY CONTAIN PROPRIETARY INFORMATION AND TRADE SECRETS OF SIEMENS MILLTRONICS OR OTHERS. THE ITEMS DEPICTED MAY THEMSELVES BE THE SUBJECT OF PATENTS, INDUSTRIAL DESIGN REGISTRATIONS OR COPYRIGHTS OF SIEMENS MILLTRONICS OR OTHERS, AND THE ISSUE OF THIS DRAWING DOES NOT IMPLY ANY LICENSE UNDER ANY SUCH RIGHTS.</small></p> <p><small>COPYRIGHT SIEMENS MILLTRONICS PROCESS INSTRUMENTS INC. ALL RIGHTS RESERVED</small></p>	Drawn: R. CLYSDALE		TITLE: SITRANS LR 200 / Probe LR, NAMEPLATE DRAWING		
	Checked: T.ADAM				
	Approved: M. FEHER				
Location: PETERBOROUGH		SIEMENS MILLTRONICS PROCESS INSTRUMENTS INC. Peterborough, Ontario, Canada		DRAWING No: 24251352	
File No. 2425135201		Plot at: 1 : 1		Rev. 1	
			Sheet 1 Of 1		