

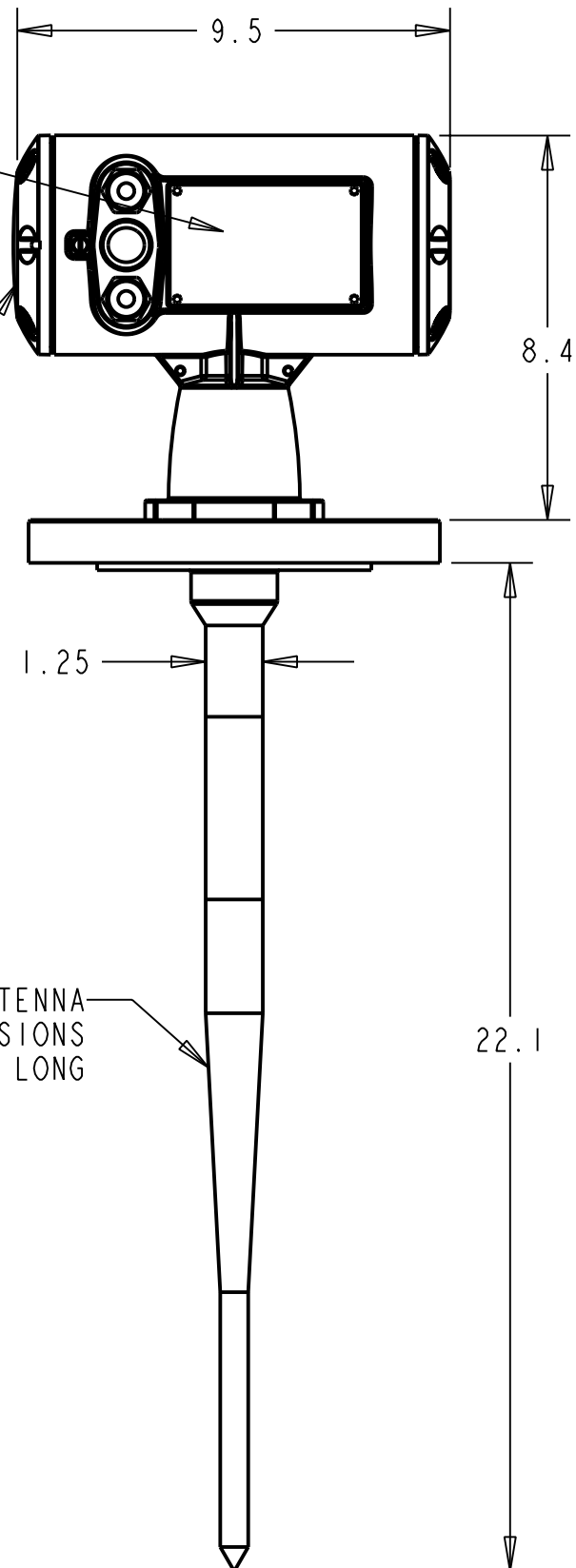
I A I B I C I D I E I F I G I H I I I J I

ANODIZED ALUMINUM, LASER ETCHED FCC I.D. LABEL NAMEPLATE. USE 4-#0 DRIVE PINS TO ATTACH

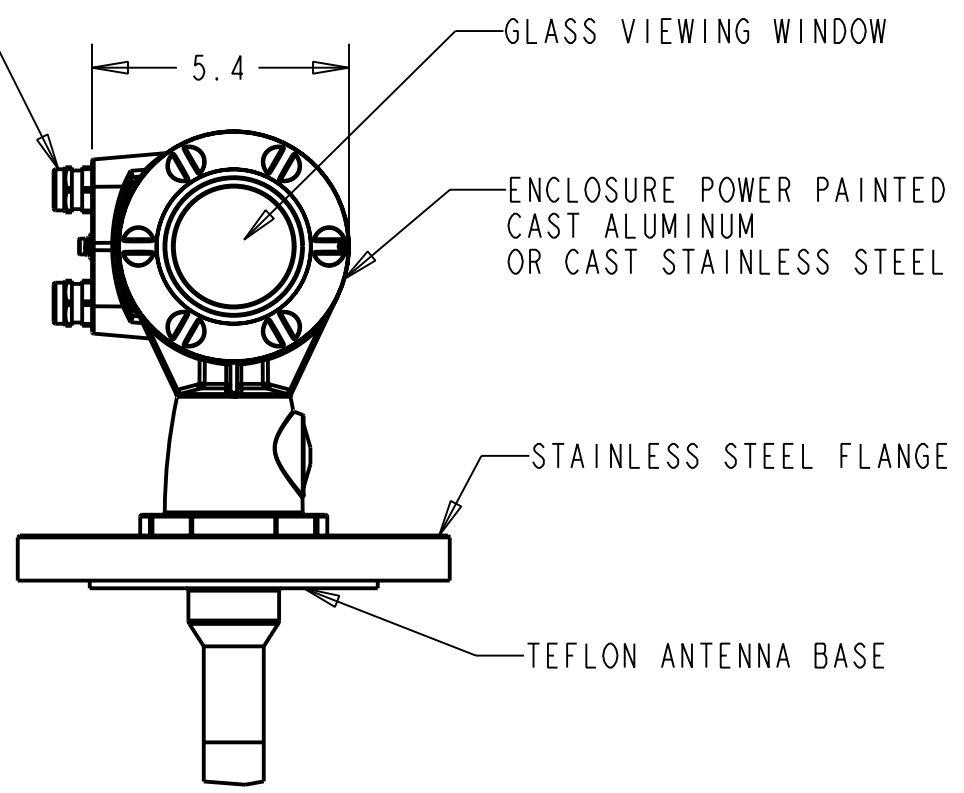
LID TYP. 2 C/W ORING SEALS

TEFLON ANTENNA C/W TEFLON EXTENSIONS 2", 4" LONG

SEE DRAWING 0-8500023z-DU-B FOR THE OTHER AVAILABLE ANTENNA OPTIONS THAT CAN BE FITTED TO THE IQ 300



CONDUIT ENTRY (TYP. OF 2) AVAILABLE FITTING STANDARD M20 OR C/W ADAPTOR TO 1/2" NPT FITTING



DIMENSIONS ARE IN INCHES		0	FOR RELEASE	RPC	TA	JAN 10/01
USE DIMENSIONS ONLY- DO NOT SCALE		Rev	ECN/Description	Drw	Appr	Date
THIRD ANGLE PROJECTION 	PRODUCT GROUP: RADAR	TOLERANCES UOS 1 PLC DECIMAL ±0.03 2 PLC DECIMAL ±0.01 3 PLC DECIMAL ±0.002 ANGLES ±0.5°		SCALE 0.25	SIZE B	
<p>CONFIDENTIAL IMPORTANT NOTICE</p> <p>THIS DOCUMENT IS THE PROPERTY OF SIEMENS MILLTRONICS AND IS SUBJECT TO RECALL. IT MAY NOT BE COPIED AND IS ISSUED AND CAN BE AUTHORIZED ONLY FOR SUCH LIMITED PURPOSES AS MAY SPECIFICALLY BEEN AUTHORIZED BY SIEMENS MILLTRONICS. IT IS TO BE MAINTAINED CONFIDENTIAL SINCE IT MAY CONTAIN PROPRIETARY INFORMATION AND TRADE SECRETS OF SIEMENS MILLTRONICS OR OTHERS. THE ITEMS DEPICTED MAY THEMSELVES BE THE SUBJECT OF PATENTS INDUSTRIAL DESIGN REGISTRATIONS OR COPYRIGHTS OF SIEMENS MILLTRONICS THE ISSUE OF THIS DRAWING DOES NOT IMPLY ANY LICENSE UNDER ANY SUCH RIGHTS</p> <p>COPYRIGHT SIEMENS MILLTRONICS PROCESS INSTRUMENTS INC. ALL RIGHTS RESERVED</p>	DATE: 10/JAN/01	TITLE IQ RADAR 300 FCC STANDARD UNIT ASSEMBLY OUTLINE DRAWING				
	DRAWN: R. CLYSDALE	CHECKED: G. MCGREGOR	DRAWING No			
	APPROVED: T. ADAM	LOCATION: PETERBOROUGH	23650198		0	
	FILE No 2365019800	PLOT AT 1:1		SHEET 1 OF 1		