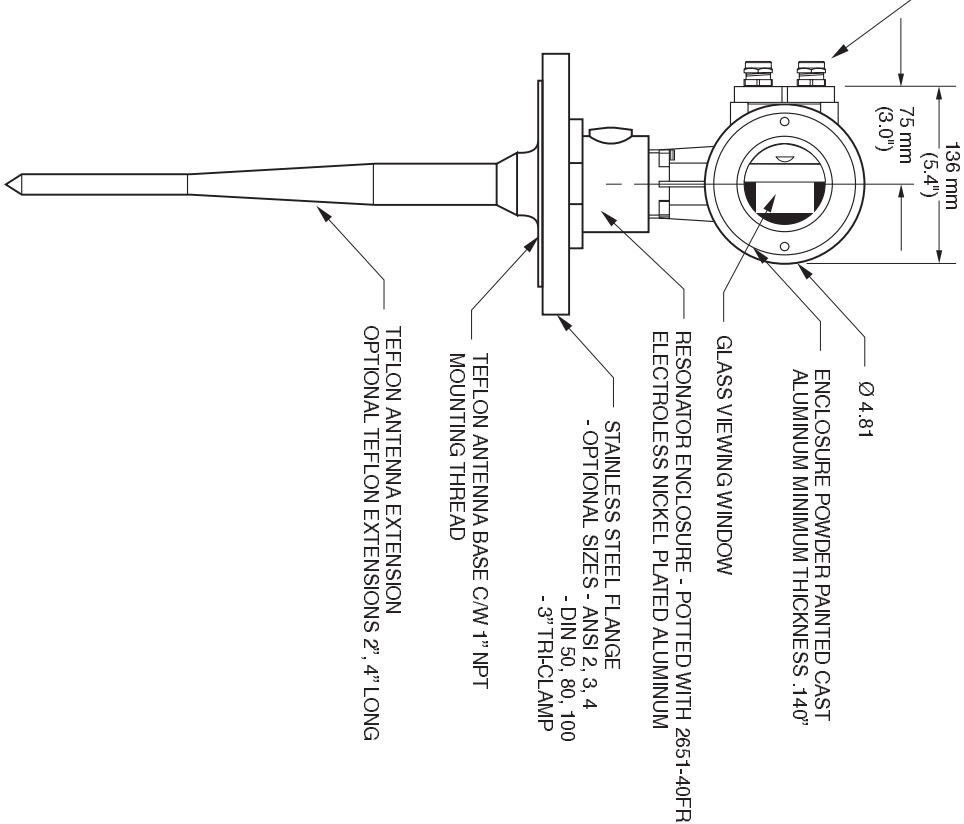
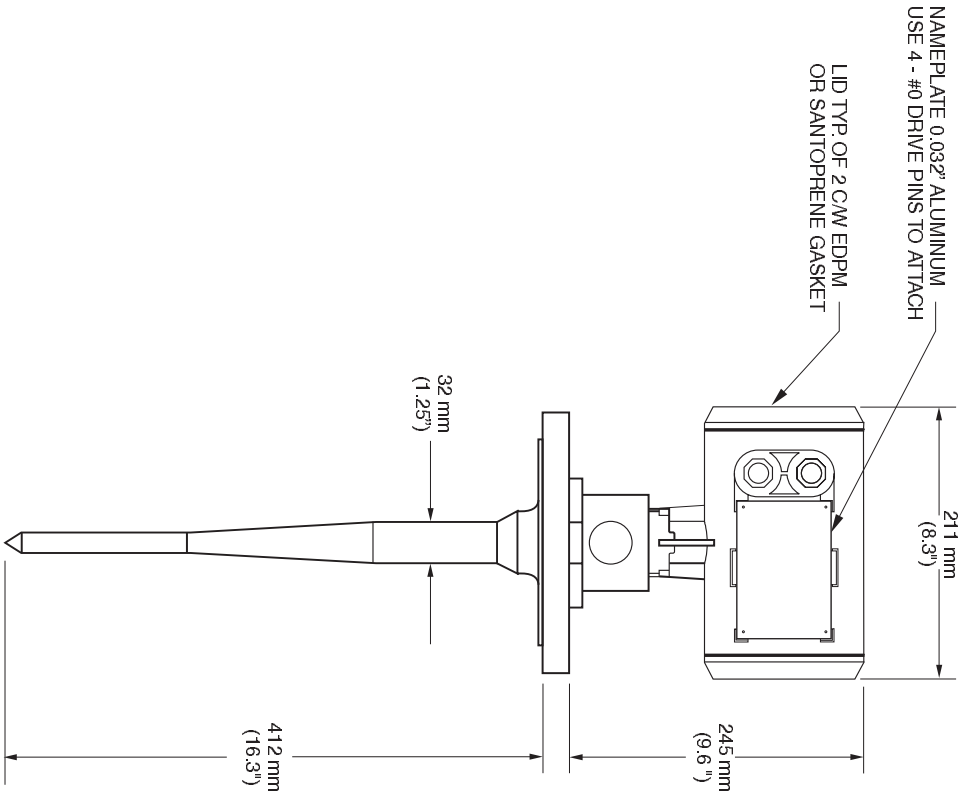


CONDUIT ENTRY (TYP. OF 2) NICKEL PLATED BRASS  
 AVAILABLE FITTING STANDARD M22/PG16 OR  
 C/W ADAPTOR TO 1/2" NPT FITTING



**CONFIDENTIAL**  
**IMPORTANT NOTICE**  
 THIS DOCUMENT REMAINS THE PROPERTY OF MILITRONICS AND IS  
 AND CAN BE UTILIZED ONLY FOR SPECIFIC LIMITED PURPOSES AS MAY  
 BE DETERMINED BY MILITRONICS. IT IS NOT TO BE REPRODUCED,  
 COPIED, OR TRANSMITTED IN ANY FORM OR BY ANY MEANS, ELECTRONIC  
 OR MECHANICAL, INCLUDING PHOTOCOPYING, RECORDING, OR BY ANY  
 INFORMATION STORAGE AND RETRIEVAL SYSTEM, WITHOUT THE WRITTEN  
 PERMISSION OF MILITRONICS. THE USER AGREES TO HOLD MILITRONICS  
 HARMLESS FROM ALL DAMAGES, LOSSES AND THE COSTS OF LITIGATION,  
 INCLUDING REASONABLE ATTORNEY'S FEES, AND THE COSTS OF THIS  
 COPYRIGHT NOTICE.

DRAWING SCALE: NONE

DRAWN BY: R. CLYSDALE

CHECKED BY: H. VIJHKO

APPROVED BY: S. NGUYEN

TOLERANCES UNLESS OTHERWISE NOTED

1 PLACE DECIMAL: ±0.030"

2 PLACE DECIMAL: ±0.010"

3 PLACE DECIMAL: ±0.002"

FRACTIONS: ±0.030"

ANGLES: ±0.5°

THIRD ANGLE PROJECTION

TITLE: IQ RADAR 160 STANDARD UNIT ASSEMBLY OUTLINE DIAGRAM

NO.	REVISION DESCRIPTION	DATE
1	REVISED SPELLING OF GASKET MATERIAL TO SANTOPRENE PER SN FOR ISSUE	MAY 26/98
0		MAY 26/98

FILE NO.: 00114701

PLOT AT: 1:1

JOB NO.:

DRAWING NO.: 0-M600001Z-DA-A

SHEET 1 OF 1

REV. 1



PETERBOROUGH, ONTARIO, CANADA