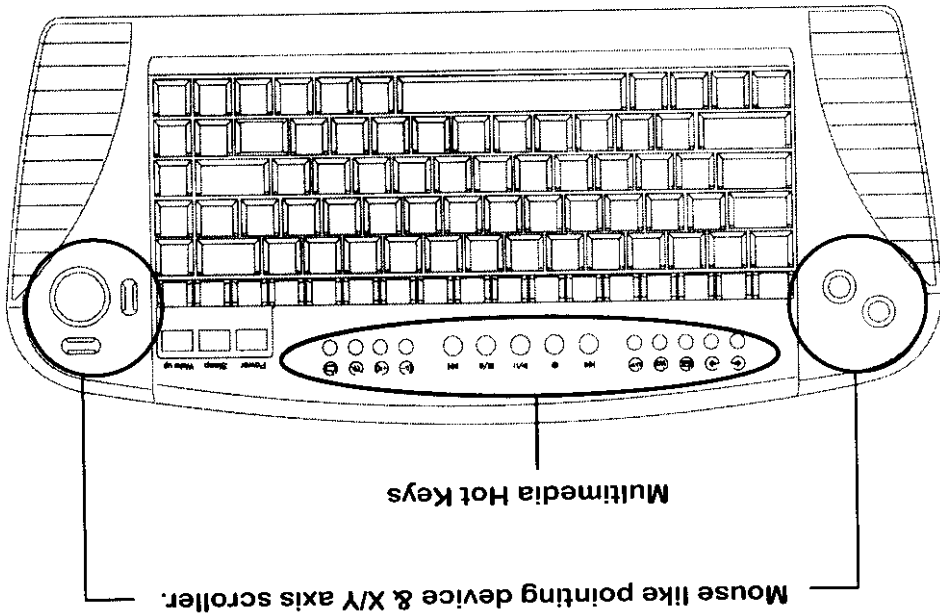


Exhibit E..... User's Manual

RF wireless Keyboard



ABOUT RF WIRELESS KEYBOARD

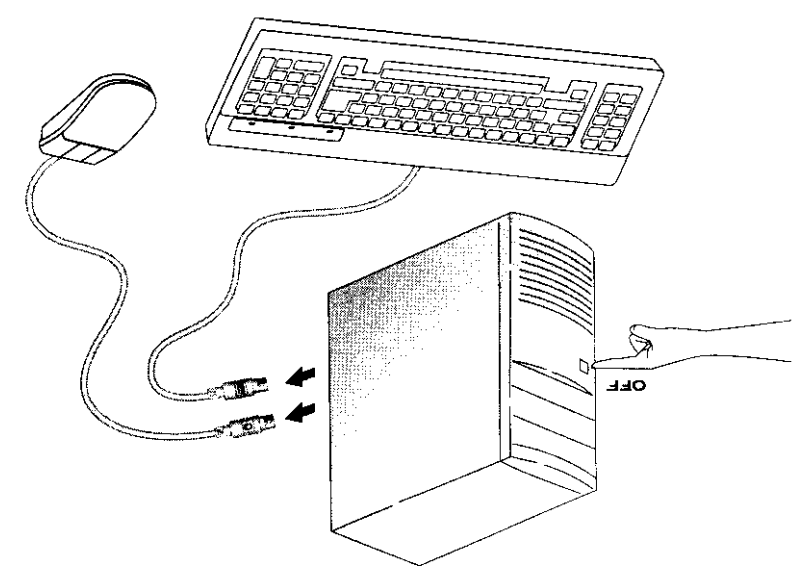


Fig. 2 TURN POWER OFF & REMOVE
CORDED KB & CORDED MOOUSE.

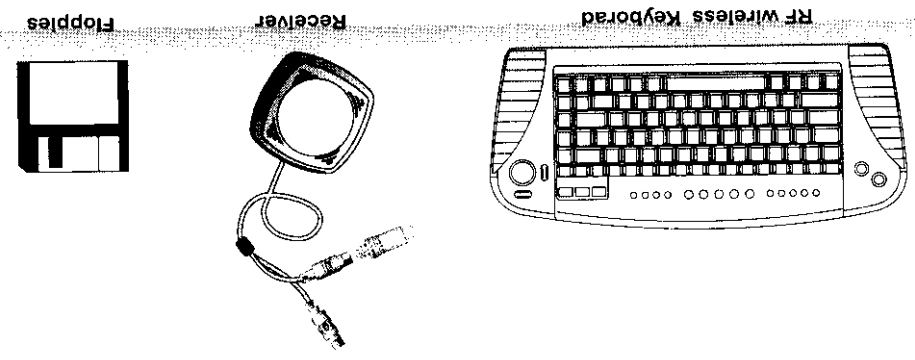


Fig. 1 PACKAGING CONTENTS

Fig. 3 CONNECTING THE RECEIVER

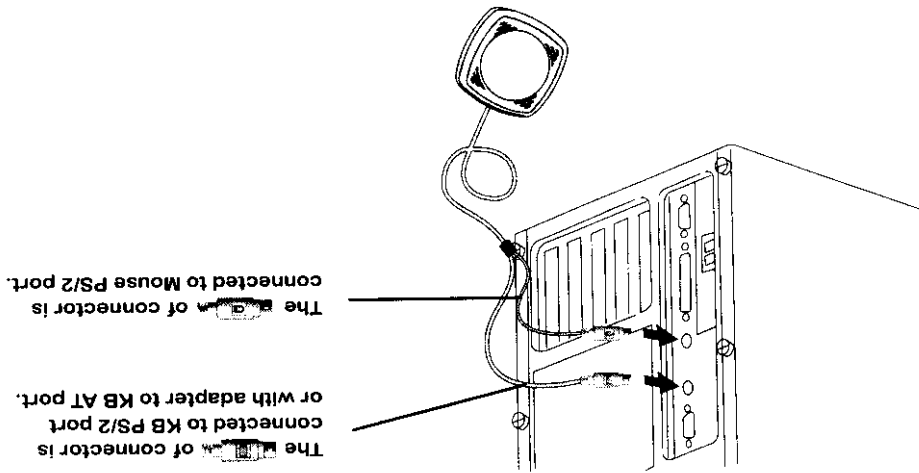
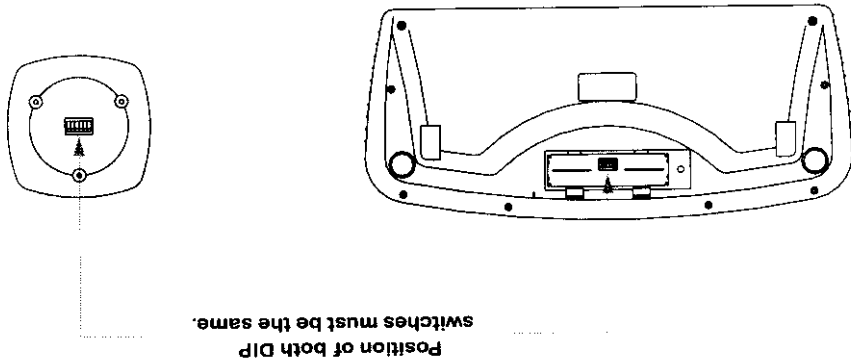


Fig. 4 SETTING UP THE ID CHANNELS



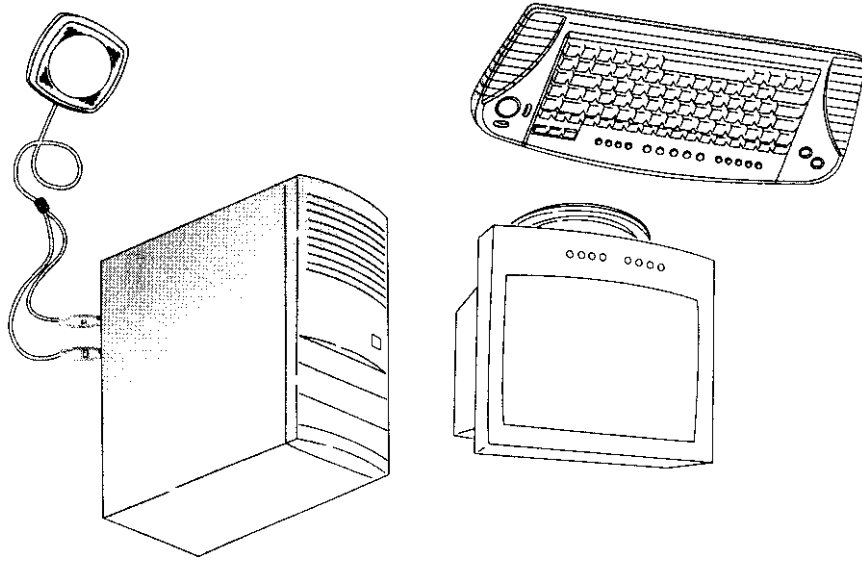


Fig. 6 DESKTOP SETUP

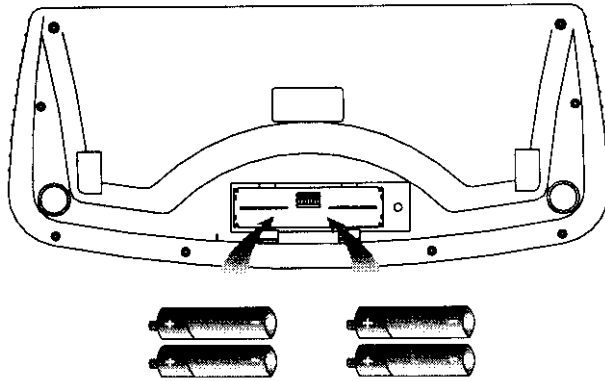


Fig. 5 INSTALLING THE BATTERIES



Fig. 7 TURN POWER ON

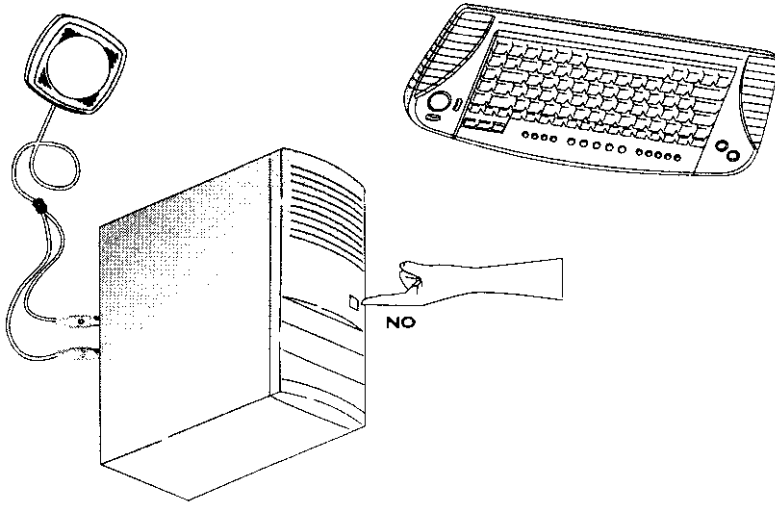
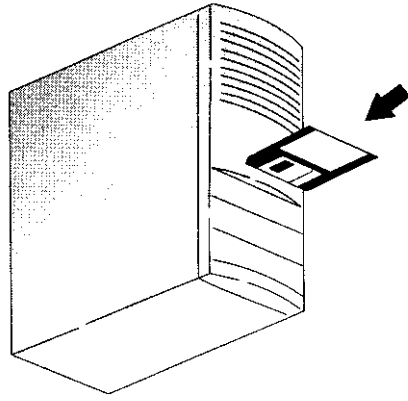


Fig. 8 INSTALL SOFTWARE



Federal Communications Commission Requirements

The equipment has been tested and found to comply with the limits for Class B Digital Device, pursuant to part 15 of the FCC Rules. These limits are designed to provide reasonable protection against harmful interference in a residential installation. This equipment generates, uses and can radiate radio frequency energy and, if not installed and used in accordance with the instruction, may cause harmful interference to radio communication. However, there is no guarantee that interference will not occur in a particular installation. If this equipment does cause harmful interference to radio or television reception, which can be determined by turning the equipment off and on, the user is encouraged to try to correct the interference by one or more of the following measures:

- Reorient or relocate the receiving antenna.
- Increase the separation between the equipment and receiver.
- Connect the equipment into an outlet on a circuit different from that to which the receiver is connected.
- Consult the dealer or an experienced radio/TV technician for help.

The changes or modifications not expressly approved by the party responsible for compliance could void the user's authority to operate the equipment.

USB version

If you are purchase, the Receiver comes with a single USB connector. Simply plug the USB connector into a type-A USB connector. USB version is hot-pluggable. Hence it is not necessary to turn off your computer to connect the receiver to your computer.



USB connector

Setting up the ID Channels

(Please refer Fig. 4 on Quick Installation)

This RF wireless keyboard provides 64 different ID channels to avoid interference with other radio devices or other same model RF wireless keyboards. Before using the wireless keyboard, please set the same ID channels for receiver and keyboard. Follow the steps below to set up:

1. **Adjust the ID channel of the receiver:** Turn to the bottom of the receiver and you will see a DIP switch. Make sure the ID channel is different from other wireless keyboards. The channel is set up by 6 slide switches with ON or OFF position.

2. **Adjust the ID channel of the keyboard:** Turn to the bottom of the keyboard and remove the battery cover and batteries. You will see a DIP switch. Adjust the position to the same setting as that of the receiver.

Installing the Batteries

(Please refer Fig. 5 on Quick Installation)

This RF wireless keyboard uses 4 AA batteries. To apply the batteries, please follow the steps below:

1. Turn the keyboard to the bottom side
2. Remove the batteries cover by pressing the two tabs and pull the cover up
3. There are signs to indicate batteries' positive and negative poles. Follow the signs to insert the batteries
4. Place the batteries cover back and make sure it is firmly closed

Battery Low

While the batteries' power is below the required level, the LED for battery low (located above the power button for WIN98, please see Fig. 1 on [Quick Installation](#)) will flash continuously. Please renew the batteries as soon as possible.

Setting up the RF wireless keyboard

Once you connect the receiver to your computer and install the batteries to the keyboard, you can start to use the RF wireless keyboard. Since the keyboard is using RF wireless technology, it doesn't matter where you put the receiver. Even it is put behind the computer. When using the keyboard to type, it's not necessary as well to aim at the receiver. The maximum effective distance between the keyboard and the receiver is 30 feet (10 meters), depending on the situation of surrounding interference.

Installing the Software

(Please refer Fig. 7 and Fig. 8 on [Quick Installation](#))
To install the software, please follow the steps below to finish:

1. Insert the disk onto floppy driver
2. Type "A:\setup" (or "B:\setup") from RUN, START
3. Click OK or press ENTER
4. The setup program will guide you to finish the installation step by step

After you finish the installation, select "Restart" to reboot your system and activate multimedia hot keys and wheel scrolling functions.

Using the Numeric Keypad Function

Other than the keyboard, this RF wireless keyboard also includes

- a built-in pointing device with 2 mouse buttons to simulate the mouse movement and left and right buttons of mouse,
- 2 scrolling wheels to scroll pages vertically and horizontally under Windows95, 98, and Windows NT applications,
- 14 multimedia hot keys for easy access of Internet and multimedia functions, and
- 3 Windows98 power management keys.

This keyboard and the pointing device are real plug'n'play under Windows95, Windows98, and Windows NT. No special driver is needed. To utilize the 14 multimedia hot keys and the two wheels, a special software driver will be needed.

Using the Multimedia Hot Keys

When you install the included software driver, the 14 multimedia hot keys will be enabled with system default. Default setting for these hot keys is defined as following as shown on the keyboard from left to right:

- Previous Page: Back to the previous page of Internet
- Next Page: Go to the next page of Internet
- E-mail Application: Open default e-mail application
- World Wide Web: Get on default Internet browser directly
- User Programmable: To be defined as other multimedia hot key
- Rewind: Back to the previous track
- Record: Record the playing CD
- Play / Pause: Press this button once to play CD/VCD, press again to pause playing.
- Stop / Eject: Press this button once to stop the play of CD/VCD, press again to eject the tray. If there is no CD/VCD in the tray, press this button once to eject the tray.
- Forward: Go to the next track of CD/VCD
- Volume down: Decrease the volume
- Volume up: Increase the volume
- Mute: Mute the volume
- Menu (setup menu): Display the status of current setting

Troubleshooting

1. Interference with other radio devices

Please try to keep the keyboard and the receiver away from other radio devices at least 5 inches (12.5cm) to avoid any interference.

2. Interference with other RF wireless keyboard

Please switch the channel to a different ID. To do so, you need to adjust both receiver and keyboard to the new channel ID. To adjust the channel ID of the receiver, turn to

the bottom of the receiver and select a different channel ID from other RF wireless keyboard. To adjust the channel ID of the keyboard, turn to the bottom of the keyboard. Remove the batteries cover and batteries. You will see the ID switcher.

Select the channel ID to the same ID of the receiver.

If the effective distance between the keyboard and the receiver is bad, try to change the location of the receiver. You can use the magnetic pad on the bottom of the receiver to stick at up/left/right side of the computer case.

3. Keyboard or pointing device not function

If keyboard or/and pointing device is/are not functional, please turn off the computer first.

- Check that the keyboard cable is not mis-connecting to the mouse port, and mouse cable is not mis-connecting to the keyboard cable as well.
- Check that the cable is firmly attached to the computer keyboard port and mouse port.
- Check that the channel IDs of both receiver and keyboard are the same.
- Make sure that the batteries are properly installed and well connected.
- Restart the computer again. If the keyboard or pointing device is still not functional, please contact your dealer immediately.

Warning

Compatibility

This RF wireless keyboard is recommended to use with desktop computer. Notebook computer is not recommended because there is only one PS/2 port equipped. The PS/2 port of notebook computer is always limited in power consumption. Hence, we highly recommend to use this wireless keyboard with desktop computer.

Using the pointing device only

This RF wireless keyboard is designed to use both keyboard and pointing device or to use only keyboard. It is limited to use only pointing device.

Note: This device complies with Part 15 of The FCC Rules. Operations is subject to the following two conditions:
(1) This device may not cause harmful interference and
(2) This device must accept any interference received, including interference that may cause undesired operation.

Getting Start

(Please refer Fig.1 on Quick Installation)

Welcome to purchase this Radio Frequency (RF) wireless multimedia keyboard. By using the advanced RF technology, there is no line-of-sight required between receiver and this keyboard. The keyboard doesn't have to aim at the receiver when using.

When you unfold the package, it should contain:

1. Keyboard
2. Receiver
3. Driver Diskettes
4. User's Manual
5. PS/2 to AT Adapter

If any part is missing, please contact your dealer for a replacement immediately.

Connecting the Receiver

(Please refer Fig.3 on Quick Installation)

Before using this RF wireless keyboard, you need to connect the included receiver to your computer first.

PS/2 version

If you are purchasing a PS/2 version, the receiver comes with a two-headed cable. One is keyboard cable and the other one is mouse cable. There is a small icon on the molding head of each cable, so you can easily recognize the keyboard cable and the mouse cable. (Refer Pic.-1)



Keyboard cable connector



PS/2 mouse cable connector

Pic.-1

Please follow the steps below to finish the connecting:

1. Turn off your computer
2. Remove the current keyboard and mouse
3. Plug the keyboard cable end into the PS/2 keyboard port or to the AT keyboard port by applying a PS/2 to AT adapter
4. Plug the mouse cable end into the PS/2 mouse port