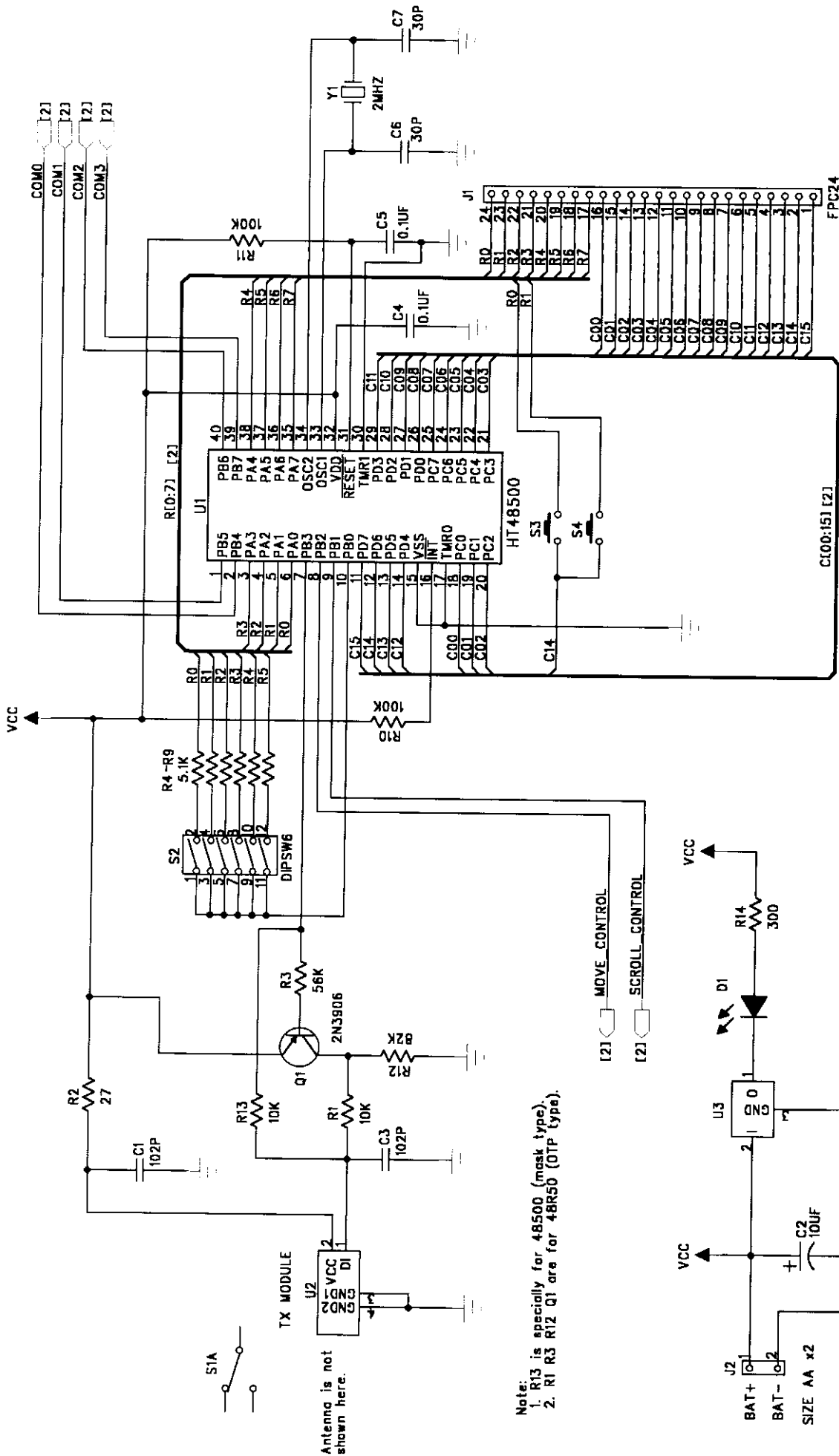
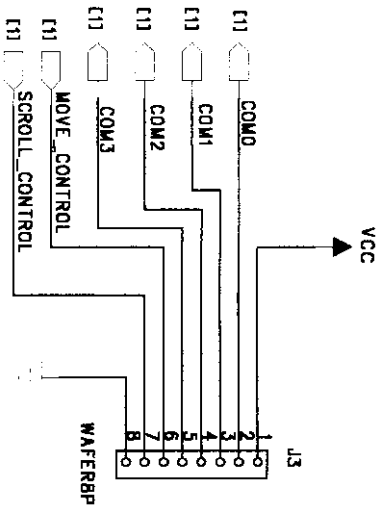
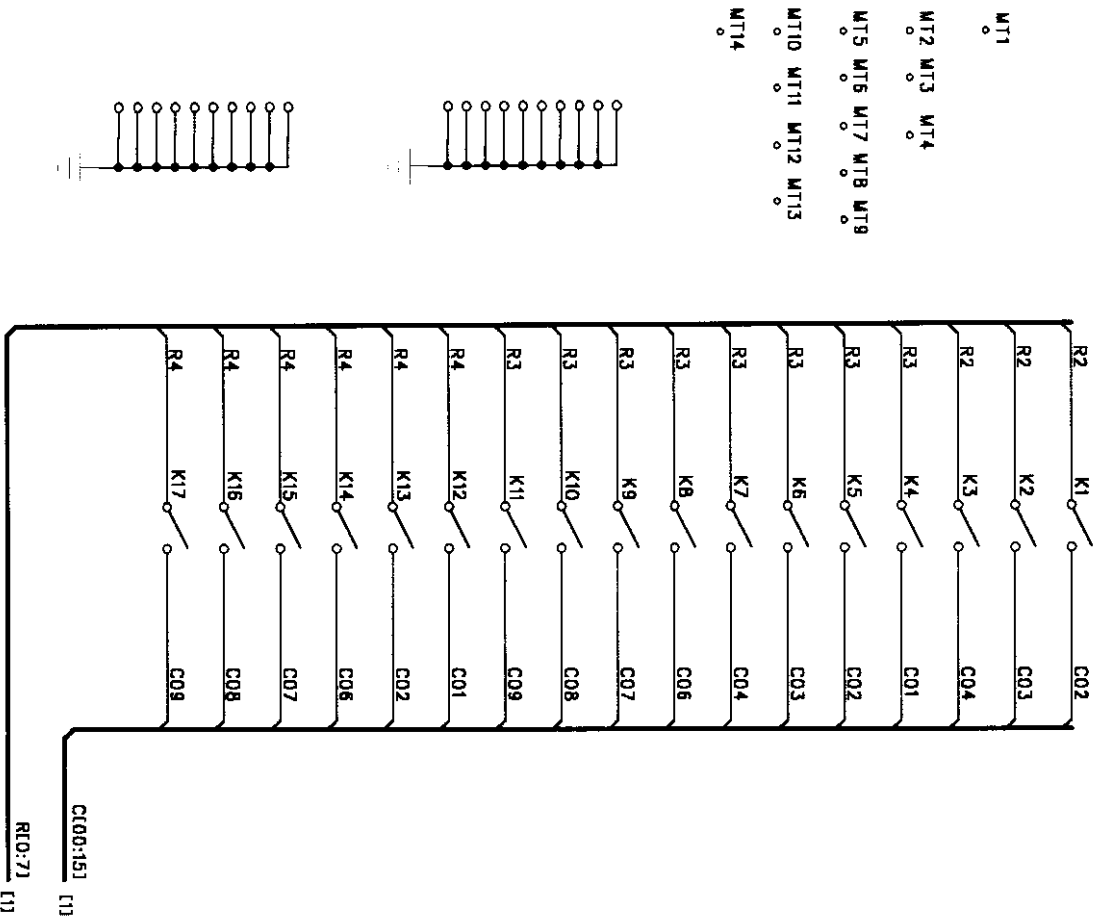
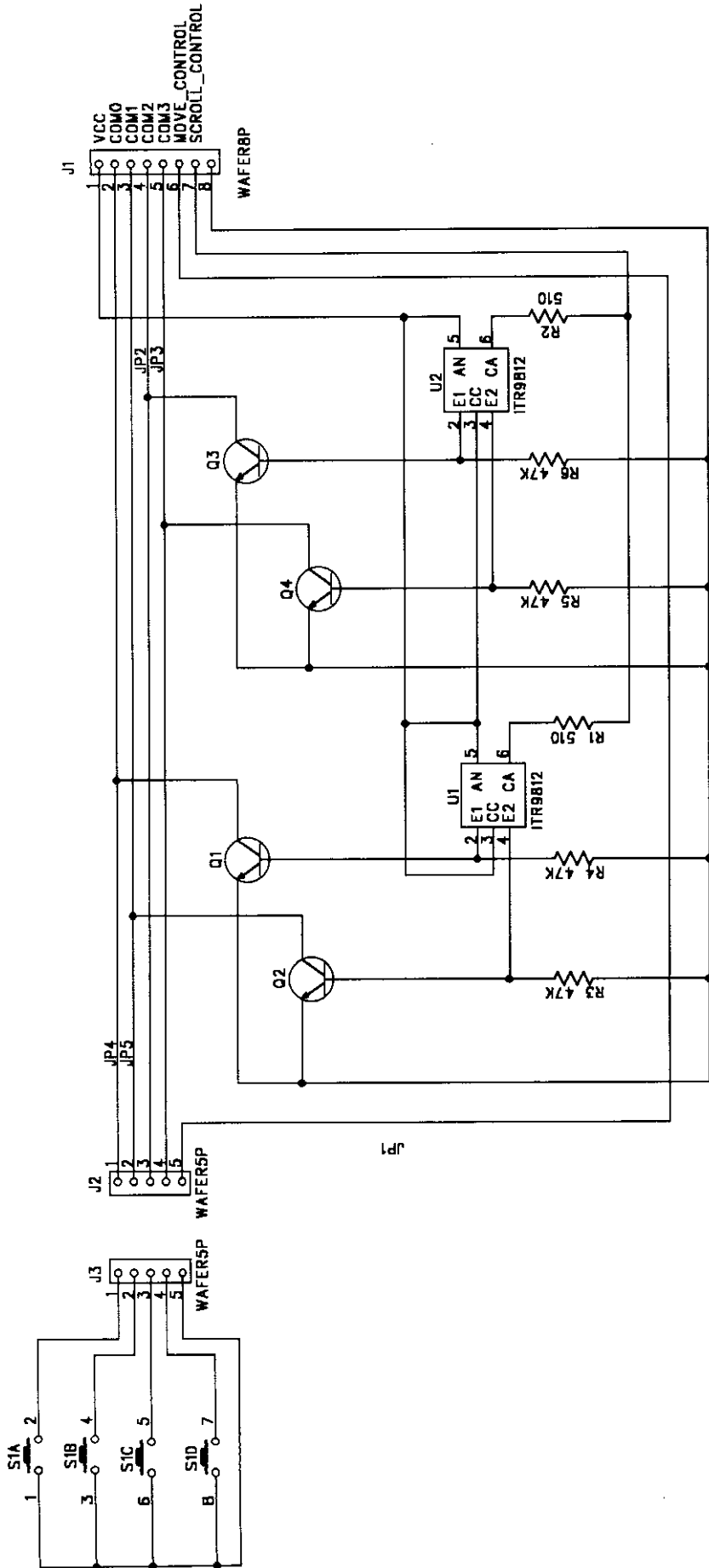


Circuit Diagram





DEXIN Corporation, Ltd	
Model: RFKB0102	
DRAWING NO:	REV:
SHEET: 2 OF 2	



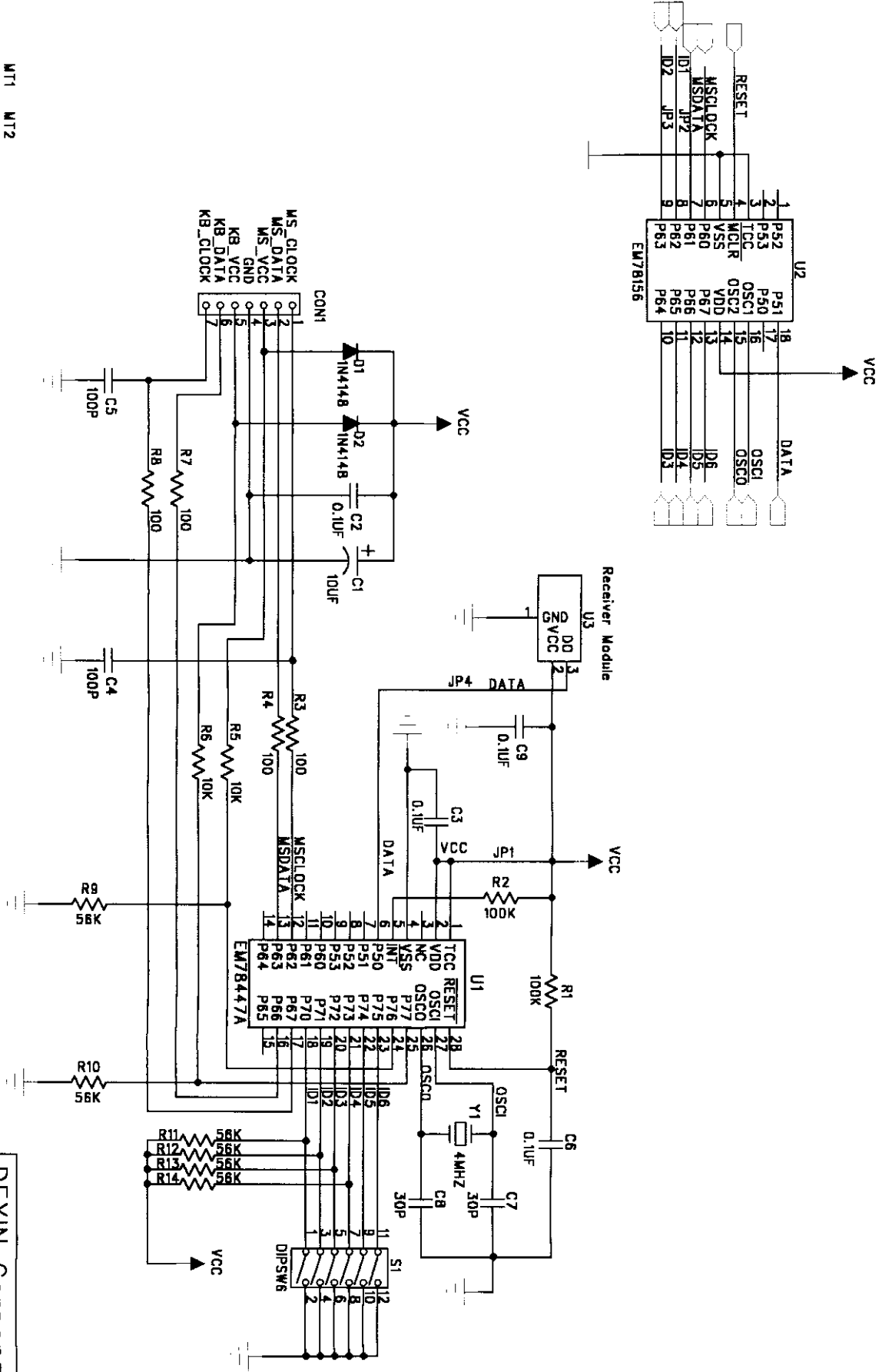
Note: Values of R1 and R2 are varied according to the light scale of IR modules U1 and U2.

MT1
○
MT
MT2
○
MT

.....

DEXIN Corporation, Ltd	
Model: RFKB0102 (Side Board)	
DRAWING NO:	REV:
Date: May 24, 1998	SHEET: 1 OF 1

MT1 MT2
o o
MT MT



DEXIN Corporation, Inc.
Model: RFRX0201

DRAWING NO: REV:

Date: Jul. 21, 1999 SHEET: 1 0