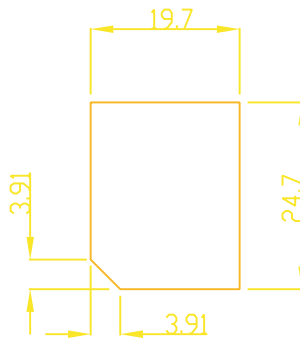
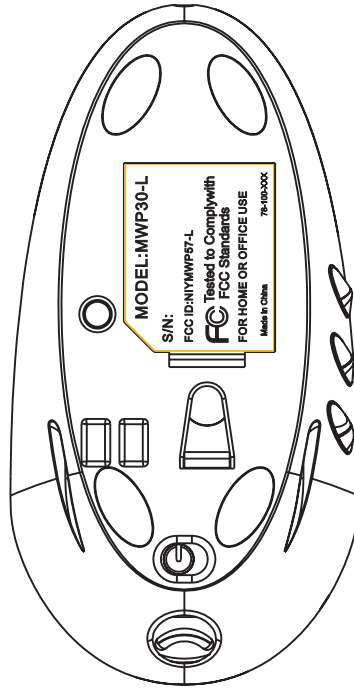


SCALE 1.000

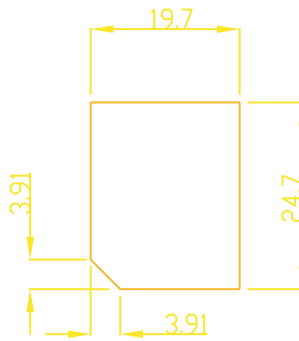


尺寸:按照圖面為標準
 材質:消銀龍.單面自黏性
 料號:78-100-XXX

						MODEL:		SHEET	OF
						UNIT	mm	SCALE	
						DWG.BY	JAMES	DATE	
						DES.BY	JAMES	DWG.NO.	
NO	DATE	DESCRIPTION			APPROVAL	APPD.BY		REV.	
DIMENSION	TOLERANCE	DIMENSION	TOLERANCE	DIMENSION	TOLERANCE	DWG.NAME:			
1~4	±0.1	30~50	±0.25	120~250	±0.5	DEXIN CORPORATION.			
4~18	±0.15	50~80	±0.3	250~400	±0.6				
18~30	±0.2	80~120	±0.4	400~	±0.8				



SCALE 1.000



尺寸:按照圖面為標準
 材質:消銀龍.單面自黏性
 料號:78-100-XXX

						MODEL:		SHEET	OF
						UNIT	mm	SCALE	
						DWG.BY	JAMES	DATE	
						DES.BY	JAMES	DWG.NO.	
NO	DATE	DESCRIPTION			APPROVAL	APPD.BY		REV.	
DIMENSION	TOLERANCE	DIMENSION	TOLERANCE	DIMENSION	TOLERANCE	DWG.NAME:			
1~4	±0.1	30~50	±0.25	120~250	±0.5	DEXIN CORPORATION.			
4~18	±0.15	50~80	±0.3	250~400	±0.6				
18~30	±0.2	80~120	±0.4	400~	±0.8				