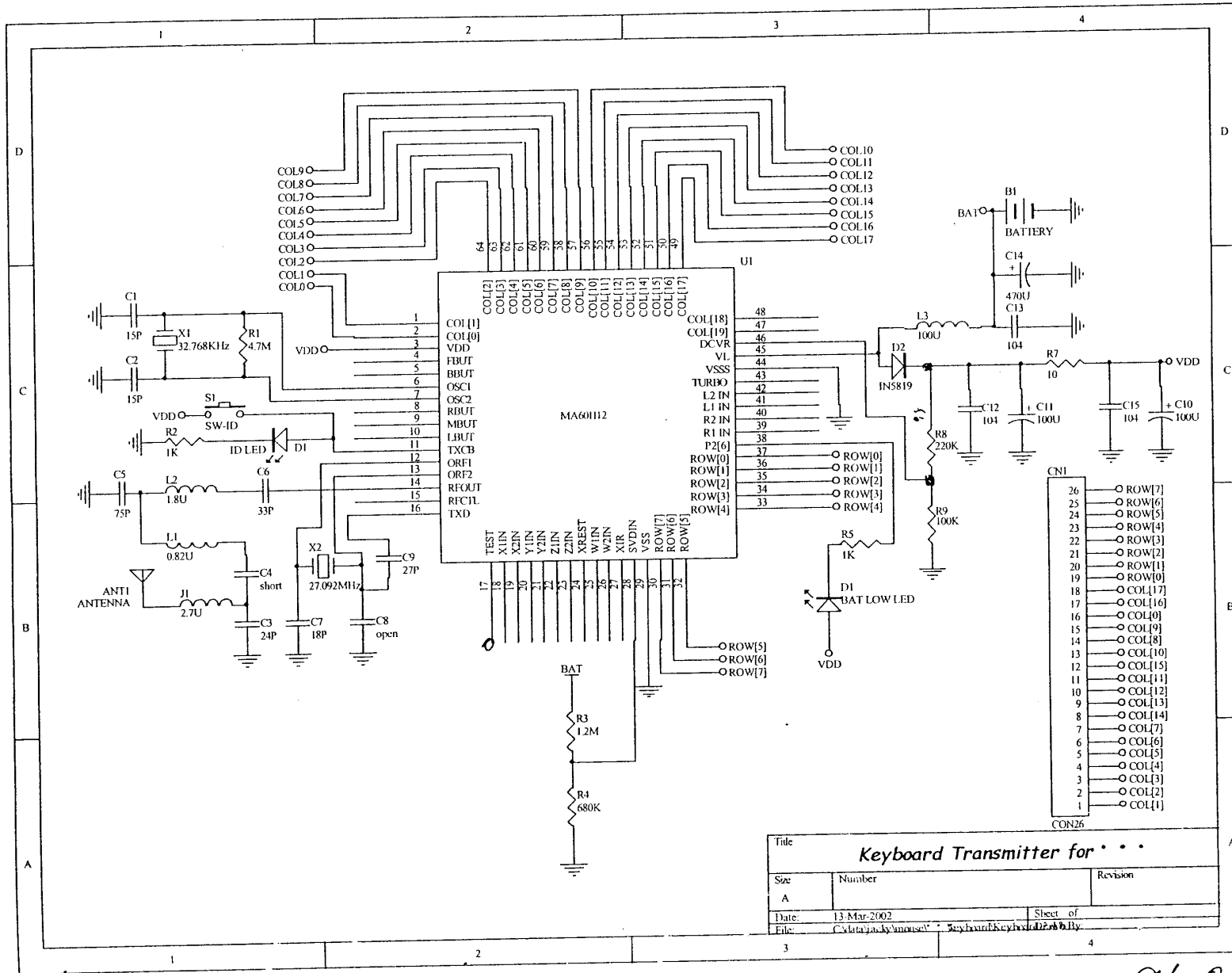
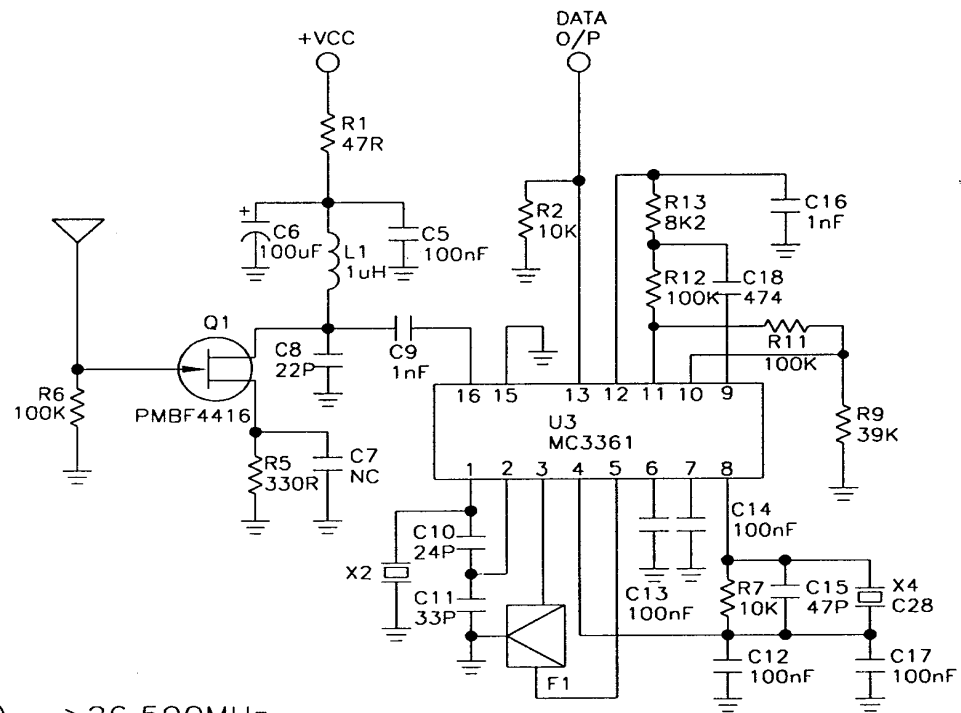


DO NOT COPY OR USE WITHOUT THE WRITTEN APPROVAL OF DEXIN CORP.		DEXIN Corporation, Ltd			
APPROVALS		DATE		Model: RX2033	
DRAWN	CLIFF	2/15/2K2	SIZE	FILE NAME	DRAWING NO
ENGR			B	RX2033 SCH	REV
CHECKED			SCALE		SHEET 1 OF 1



Title		
Keyboard Transmitter for . . .		
Size	Number	Revision
A		
Date:	13-Mar-2002	Sheet of
File:	C:\ata\paj\mouse*. Keyboard\Keyboard	12 of 12

91.03.13



MOUSE(X2) --> 26.590MHz
 keyboard(X2) --> 26.640MHz

CANNOT BE COPIED OR USED WITHOUT THE WRITTEN APPROVAL OF THE DEXIN CORPORATION.			DEXIN CORPORATION.			
APPROVAL			Schematic model: KW2033-RF			
DATE						
DRAWN	AMY LIN	91/04/04	SIZE	Filename	DWG. NO.	REV.
DESIGN	<i>Chou 2.04.04</i>			EC010751.DWG	EC01075	.1.1
CHECK	<i>Chou 2.04.04</i>		SCALE	1:1	SHEET	