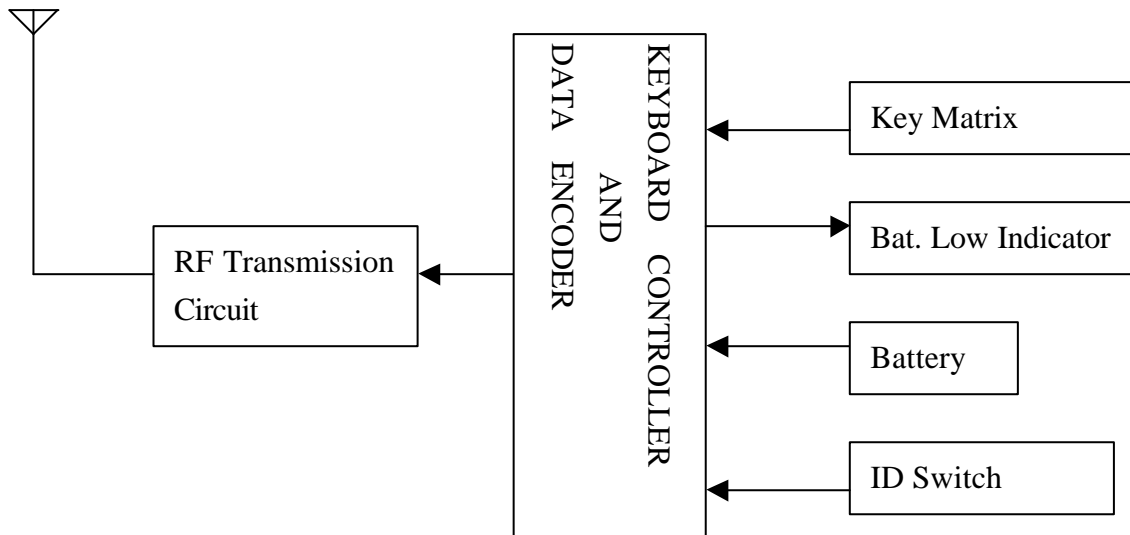


# Circuit Description of KW2033

FCC ID:NIYKW2033



**Battery** provides the necessary power for operation. The proposed one is a single size AA battery.

**Battery Low Indicator** will light up when the capacity of the battery is below the required level needed for normal operation.

**Key Matrix** is actually a keypad assembly. Here it provides all necessary keys for daily operation.

**ID Switch** is a TAC switch, used to initialize the sequence of generating a new identification code when two or more sets of the products are operated nearby.

**Keyboard Controller and Data Encoder** is a composite ASIC component specifically for handling all input signals and generating a serial data stream. This data stream consists of a SYNC byte, an identification code, a matrix code (indicating the key depressed), the type of data packet, and the status of battery capacity.

**RF Transmission Circuit** is a radio frequency transmitter applying FSK modulation technique. The data stream coming from the main controller is modulated to the center frequency and radiated through the antenna, which is actually a piece of conducting wire inside the keyboard housing.