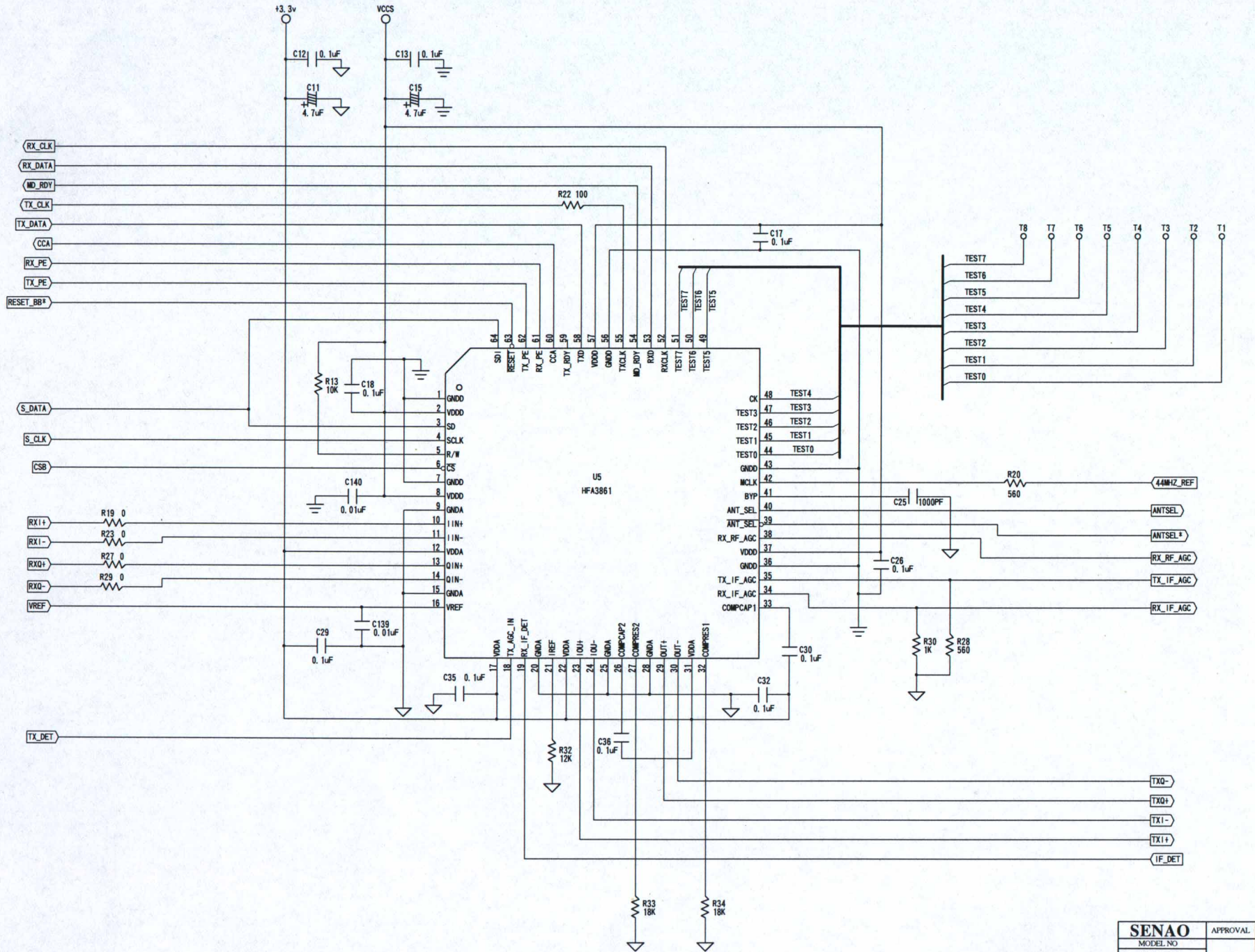
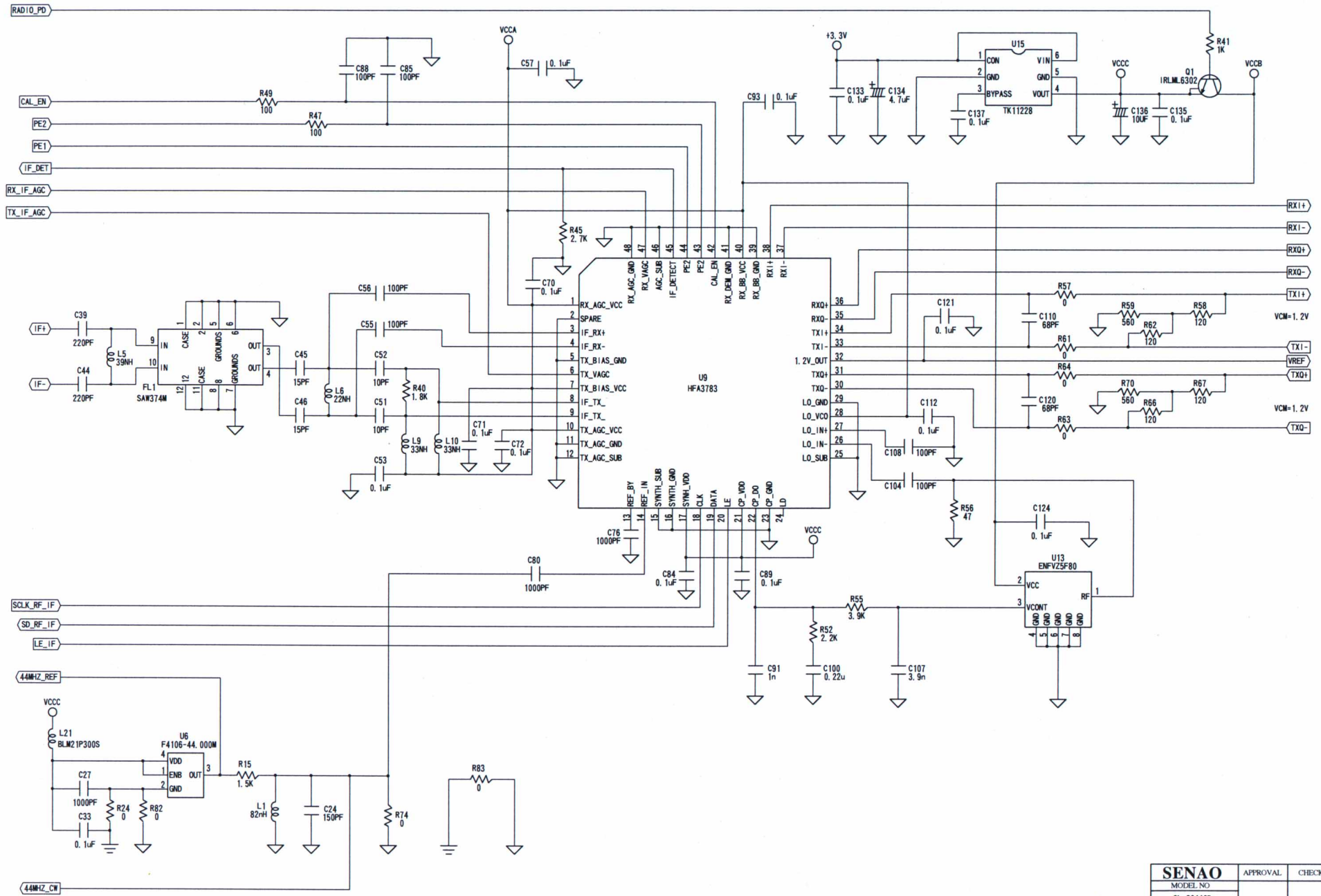


<b>SENAO</b>		APPROVAL	CHECK	DRAW
MODEL NO	9L-20110D			
FILE NAME	20110D003			
DATE	89-09-06	PCB-VER		1 OF 4

A B C D E F



<b>SENAO</b>			
MODEL NO	APPROVAL	CHECK	DRAW
SL-2011CD			
FILE NAME			
2011CD003			
Date: 89-09-06	PCB VER:	2 OF 4	



<b>SENAO</b>			
MODEL NO	APPROVAL	CHECK	DRAW
SL-2011CD			
FILE NAME			
2011CD003			
Date 89-09-06	PCB VER:		3 OF 4

