

Section 15.247(e): Processing Gain

Test Method

The expected BWE versus E_b/N_0 curves for these cases may be determined as follow.

Differential error extension

The modulation is either DBPSK or DQPSK for 1 and 2 Mbps. With differential coding, there is an error extension factor of 2 which comes from the fact that if one symbol is in error, then the next will be demodulated in error too since its phase is dependent on the change of phase from symbol to symbol. In DBSSK, this results in a simple factor of two in BER. With QDQPSK, the picture is a little muddled in that a symbol error may cause one or two bit error since two bits are carried per symbol. The IEEE 802.11 modulations use Grey coding of the phase so that usually only one bit error occurs with a symbol error. Sometimes, two bit errors occur, but this is infrequent at the BER considered. This will be shown to be important in descrambling.

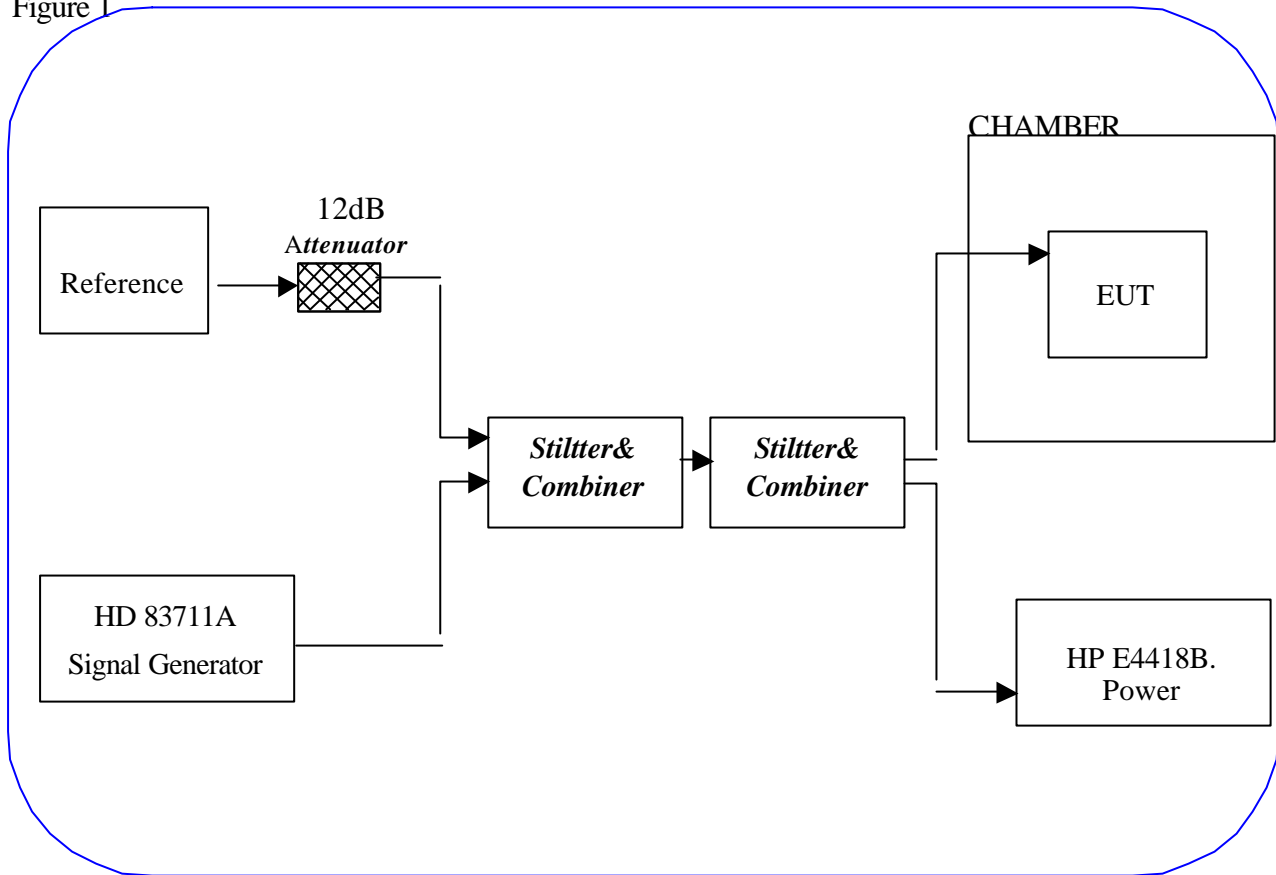
What we see when running the BER test is that the errors generally occur in groups of 6 with occasional 4s.

The overall effect is to move where we operate on the BER curve. The curve below shows the resulting BER versus E_b/N_0 curve. It is well known that a simple BPSK link operates at 9.6 dB for $1e-5$ BER. With the error extension effect, we see that at that E_b/N_0 , the error rate is $6e-5$. Or, conversely, we must operate at 10.3dB to get $1e-5$.

When operating DQPSK at 2Mbps, the E_b/N_0 remains essentially the same, but the E_s/N_0 goes up by 3 dB. For the purposes of the FCC testing for CW jamming, we add the allowed 2 dB for implementation loss to get a net E_b/N_0 of 15.3 dB.

Test Instruments Configuration

Figure 1



Test Configuration of processing gain

List of Test Instruments

Instrument Name	Model No	Brand	Serial No.	Last time	Next time
Signal Generator	83711A	HP	3429A00434	05/19/00	05/19/01
Power Meter	E4418B	HP	GB39291240	09/11/00	09/11/01
Combiner	15542 ZAPD-4	Mini Circuits	N/A	N/A	N/A
Attenuator (6dB to 18 GHz)	MCL BW-S6W2	Mini Circuits			

Bit Error Rate (BER)

(1) Test Background and procedure

According to FCC regulation, a direct sequence spread spectrum system must have processing gain, G_p of the least 10 dB. Compliance to this requirement can be shown by demonstrating a relative bit-error-ratio (BER) performance improvement (and corresponding signal to noise ratio per symbol improvement of at least 10dB) between the case where spread spectrum processes (coding, modulation) are engaged relative to the processes being bypassed. In some practical system, the spread spectrum processing cannot simply be bypassed. In accordance with the new NPRM 99-231, if the vendor has a system with less than 10 chips per symbol, the CW jamming results must be supported by a theoretical explanation of the system processing gain.

(2) Theoretical calculations

The processing gain is related to the jamming margin as follows:

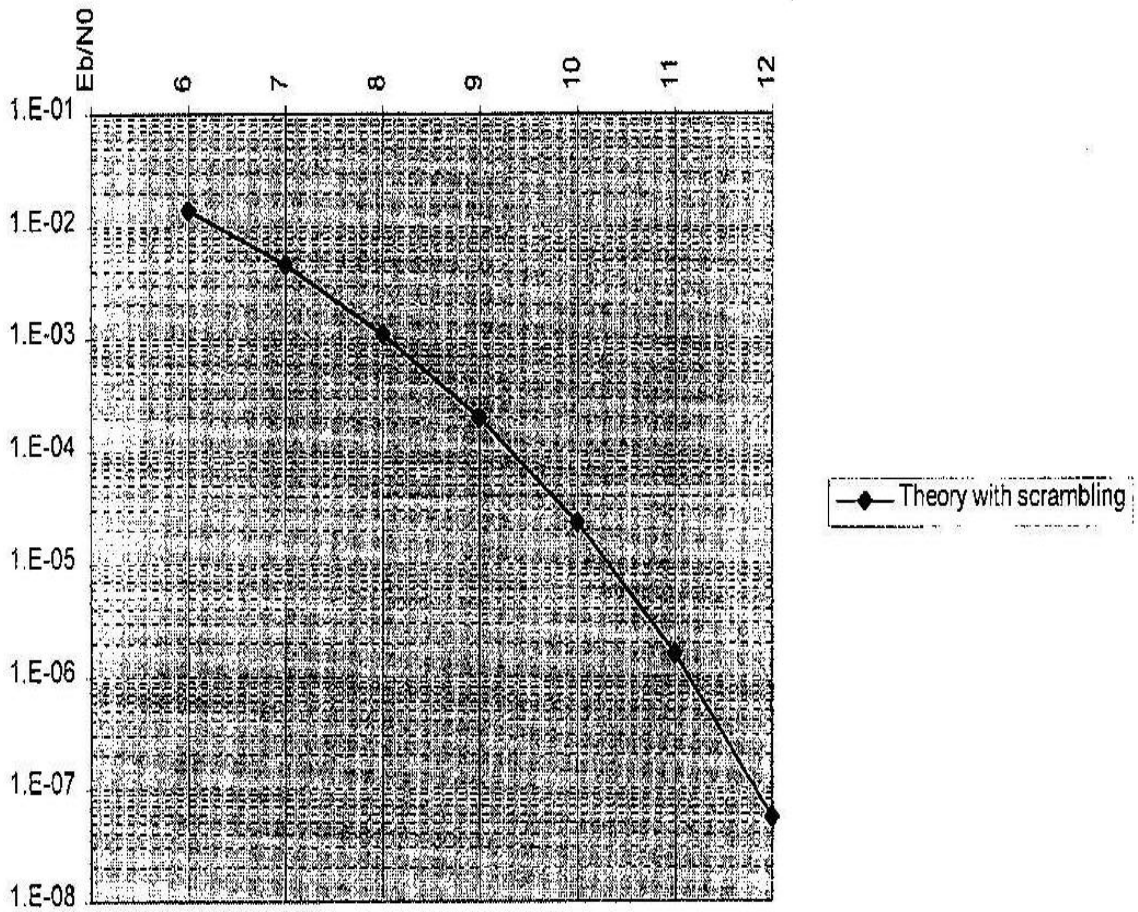
$$G_p = \left(\frac{S}{N} \right)_{output} + \left(\frac{J}{S} \right) + L_{system}$$

Where $BER_{REFERENCE}$ is the reference bit error ratio with its corresponding, theoretical output signal to noise ratio per symbol, $\left(\frac{S}{N} \right)_{output}$, $\left(\frac{J}{S} \right)$ is the jamming margin (jamming signal power relative to desired signal power), and L_{system} are the system implementation losses. The maximum allowed total system implementation loss is 2 dB. The HFA3861A direct sequence spread spectrum baseband processor uses CCK modulation, which is a form of M-ary Orthogonal Keying. The BER performance curve is given by: The probability of error for generalized M-ary Orthogonal signaling using coherent demodulation is given by:

$$P_e = 1 - P_{c1} = 1 - \frac{1}{\sqrt{2p}} \int_{\frac{S_{01}}{N_0}}^{\infty} \left[2 \left(1 - Q \left\{ z + \sqrt{2 \frac{E_b}{h}} \right\} \right) \right]^{\frac{M}{2}-1} \exp \left\{ -\frac{Z^2}{2} \right\} dz$$

This integral cannot be solved in closed form, and numerical integration must be used. This is done in a MATHCAD environment and is displayed in graphical format

DQPSK BER curve with descrambling



The reference PER is specified as 8% . When operating DQPSK at 2Mbps, the corresponding Es/No (signal to noise ratio per symbol) is 13.3 dB. The Es/No required to achieve the desired BER with maximum system implementation losses is 15.3dB. The minimum processing gain is again, 10dB, therefore:

$$G_p = \left(\frac{E_s}{N_o} \right)_{output} + \left(\frac{J}{S} \right) + L_{system} = 13.3\text{dB} + 2.0\text{dB} + \left(\frac{J}{S} \right) \geq 10\text{ dB}$$

$$G_p = 15.3\text{dB} + \left(\frac{J}{S} \right) \geq 10\text{ dB}$$

The minimum jammer to signal ratio is as follow:

$$\left(\frac{J}{S} \right) \geq -8.4\text{dB}$$

Test Procedure

The test block diagram be shown figure 1.DBPSK for 1 M Data rate and DQPSK for 2M Date rate.

- (1) Make sure the devise as the figure 1 shown .
- (2) Install DOS Test tool into two notebook computers (E.U.T. and Reference)
- (3) Set the Reference notebook computer as DBPSK and the E.U.T. notebook computer as DBPSK. And both are in link.
- (4) Turn off the switch of the signal generator RF, and set both notebook computers at channel 1.
- (5) Generated the Log File in the Reference notebook computer and send the test file. And measure the power at the power meter port using the power meter. This is the relative signal power, S
- (6) Ensure that CW Jammer generator RF output is enabled and turn off the EUT link , then measure the power by power meter. This is the relative signal power, J.
- (7) Disable CW Jammer generator, re-establish link. PER test should be operating essentially error-free.
- (8) Enable CW Jammer at the reference power level and verify that the PER test indicates a PER of less than 8%.
- (9) Alternatively, adjust the CW Jammer level to that which causes 8% PER test.
- (10) Repeat step 8 for uniform steps in frequency increments of 50kHz across the receiver band with the CW Jammer. In this case the receiver band is $\pm 5.0\text{MHz}$.
- (11) Repeat step 8 ~11 at channel 6 and channel 11.and then get values.
- (12) Repeat step 2.and set the Reference notebook computer as DQPSK and the E.U.T. notebook computer as DQPSK..
- (13) Repeat step 8~11 at channel 1 、 channel 6 and channel 11, and get values.

The number of points where the PER fail to achieve 8% (is higher than 8%) is determined and if this is above 20% of the total, the test is failed otherwise it is passed.

The margin by which the radio passes the test (for information purposes) can be determined from the average of the remaining points' PERs scaled on the PER curve above.

Test Result summary

Date rate	Channel number	Process gain(dB)
2M	<i>1</i>	11.58(dB)
2M	6	11.74(dB)
2M	11	13.94(dB)
1M	1	10.40(dB)
1M	6	10.72(dB)
1M	11	11.97(dB)

DBPSK

$$G_p = (S/N_0) + M_j + L_{sys}$$

$$G_p = 10.3 + M_j + 2$$

$$G_p = 12.3 + M_j$$

DQPSK

$$G_p = (S/N_0) + M_j + L_{sys}$$

$$G_p = 13.3 + M_j + 2$$

$$G_p = 15.3 + M_j$$

7.5 Test Result of Processing Gain

Table 1 Processing Gain [Channel 1, DQPSK, 2.40705GHz to 2.41705GHz]

Jammer Frequency (MHz)	Signal Level S (dBm)	Signal Generator RF Output J (dBm)	Mj (J/S)	Process Gain (dB)
2407.05	-4.7	-6.87	-2.17	13.13
2407.10	-4.7	-6.85	-2.15	13.15
2407.15	-4.7	-6.81	-2.11	13.19
2407.20	-4.7	-7.90	-3.20	12.10
2407.25	-4.7	-6.83	-2.13	13.17
2407.30	-4.7	-7.02	-2.32	12.98
2407.35	-4.7	-7.23	-2.53	12.77
2407.40	-4.7	-7.42	-2.72	12.58
2407.45	-4.7	-6.87	-2.17	13.13
2407.50	-4.7	-6.17	-1.47	13.83
2407.55	-4.7	-7.03	-2.33	12.97
2407.60	-4.7	-7.30	-2.60	12.70
2407.65	-4.7	-7.54	-2.84	12.46
2407.70	-4.7	-7.61	-2.91	12.39
2407.75	-4.7	-7.61	-2.91	12.39
2407.80	-4.7	-7.68	-2.98	12.32
2407.85	-4.7	-7.58	-2.88	12.42
2407.90	-4.7	-7.54	-2.84	12.46
2407.95	-4.7	-8.03	-3.33	11.97
2408.00	-4.7	-8.11	-3.41	11.89
2408.05	-4.7	-8.11	-3.41	11.89
2408.10	-4.7	-8.12	-3.42	11.88
2408.15	-4.7	-8.17	-3.47	11.83
2408.20	-4.7	-8.24	-3.54	11.76
2408.25	-4.7	-7.87	-3.17	12.13
2408.30	-4.7	-7.64	-2.94	12.36
2408.35	-4.7	-7.78	-3.08	12.22
2408.40	-4.7	-7.83	-3.13	12.17
2408.45	-4.7	-7.68	-2.98	12.32
2408.50	-4.7	-7.48	-2.78	12.52
2408.55	-4.7	-7.69	-2.99	12.31
2408.60	-4.7	-7.98	-3.28	12.02
2408.65	-4.7	-7.64	-2.94	12.36
2408.70	-4.7	-7.36	-2.66	12.64
2408.75	-4.7	-7.18	-2.48	12.82

Table 1 Processing Gain [Channel 1, DQPSK, 2.40705GHz to 2.41705GHz]

Jammer Frequency (MHz)	Signal Level S (dBm)	Signal Generator RF Output J (dBm)	Mj (J/S)	Process Gain (dB)
2408.80	-4.7	-7.07	-2.37	12.93
2408.85	-4.7	-7.56	-2.86	12.44
2408.90	-4.7	-8.06	-3.36	11.94
2408.95	-4.7	-8.06	-3.36	11.94
2409.00	-4.7	-8.06	-3.36	11.94
2409.05	-4.7	-7.82	-3.12	12.18
2409.10	-4.7	-7.45	-2.75	12.55
2409.15	-4.7	-7.45	-2.75	12.55
2409.20	-4.7	-7.45	-2.75	12.55
2409.25	-4.7	-7.23	-2.53	12.77
2409.30	-4.7	-7.14	-2.44	12.86
2409.35	-4.7	-7.32	-2.62	12.68
2409.40	-4.7	-7.47	-2.77	12.53
2409.45	-4.7	-7.78	-3.08	12.22
2409.50	-4.7	-7.80	-3.10	12.20
2409.55	-4.7	-7.84	-3.14	12.16
2409.60	-4.7	-7.93	-3.23	12.07
2409.65	-4.7	-7.84	-3.14	12.16
2409.70	-4.7	-7.96	-3.26	12.04
2409.75	-4.7	-8.07	-3.37	11.93
2409.80	-4.7	-8.07	-3.37	11.93
2409.85	-4.7	-8.06	-3.36	11.94
2409.90	-4.7	-8.06	-3.36	11.94
2409.95	-4.7	-8.06	-3.36	11.94
2410.00	-4.7	-7.86	-3.16	12.14
2410.05	-4.7	-7.79	-3.09	12.21
2410.10	-4.7	-7.98	-3.28	12.02
2410.15	-4.7	-8.04	-3.34	11.96
2410.20	-4.7	-8.04	-3.34	11.96
2410.25	-4.7	-7.90	-3.20	12.10
2410.30	-4.7	-7.46	-2.76	12.54
2410.35	-4.7	-7.01	-2.31	12.99
2410.40	-4.7	-7.01	-2.31	12.99
2410.45	-4.7	-7.01	-2.31	12.99
2410.50	-4.7	-8.08	-3.38	11.92
2410.55	-4.7	-8.08	-3.38	11.92

Table 1 Processing Gain [Channel 1, DQPSK, 2.40705GHz to 2.41705GHz]

Jammer Frequency (MHz)	Signal Level S (dBm)	Signal Generator RF Output J (dBm)	Mj (J/S)	Process Gain (dB)
2410.60	-4.7	-7.45	-2.75	12.55
2410.65	-4.7	-7.45	-2.75	12.55
2410.70	-4.7	-7.45	-2.75	12.55
2410.75	-4.7	-7.23	-2.53	12.77
2410.80	-4.7	-7.14	-2.44	12.86
2410.85	-4.7	-8.06	-3.36	11.94
2410.90	-4.7	-7.96	-3.26	12.04
2410.95	-4.7	-7.87	-3.17	12.13
2411.00	-4.7	-8.43	-3.73	11.57
2411.05	-4.7	-8.60	-3.90	11.40
2411.10	-4.7	-8.60	-3.90	11.40
2411.15	-4.7	-8.60	-3.90	11.40
2411.20	-4.7	-8.04	-3.34	11.96
2411.25	-4.7	-7.49	-2.79	12.51
2411.30	-4.7	-7.77	-3.07	12.23
2411.35	-4.7	-7.97	-3.27	12.03
2411.40	-4.7	-7.84	-3.14	12.16
2411.45	-4.7	-7.77	-3.07	12.23
2411.50	-4.7	-7.68	-2.98	12.32
2411.55	-4.7	-7.57	-2.87	12.43
2411.60	-4.7	-7.78	-3.08	12.22
2411.65	-4.7	-8.10	-3.40	11.90
2411.70	-4.7	-8.15	-3.45	11.85
2411.75	-4.7	-8.23	-3.53	11.77
2411.80	-4.7	-8.04	-3.34	11.96
2411.85	-4.7	-7.84	-3.14	12.16
2411.90	-4.7	-7.79	-3.09	12.21
2411.95	-4.7	-7.65	-2.95	12.35
2412.00	-4.7	-7.37	-2.67	12.63
2412.05	-4.7	-7.14	-2.44	12.86
2412.10	-4.7	-7.67	-2.97	12.33
2412.15	-4.7	-8.01	-3.31	11.99
2412.20	-4.7	-7.97	-3.27	12.03
2412.25	-4.7	-7.88	-3.18	12.12
2412.30	-4.7	-8.04	-3.34	11.96

2412.35	-4.7	-8.17	-3.47	11.83
---------	------	-------	-------	-------

Table 1 Processing Gain [Channel 1, DQPSK, 2.40705GHz to 2.41705GHz]

Jammer Frequency (MHz)	Signal Level S (dBm)	Signal Generator RF Output J (dBm)	Mj (J/S)	Process Gain (dB)
2412.40	-4.7	-8.17	-3.47	11.83
2412.45	-4.7	-8.17	-3.47	11.83
2412.50	-4.7	-7.93	-3.23	12.07
2412.55	-4.7	-7.25	-2.55	12.75
2412.60	-4.7	-7.46	-2.76	12.54
2412.65	-4.7	-7.67	-2.97	12.33
2412.70	-4.7	-7.82	-3.12	12.18
2412.75	-4.7	-8.02	-3.32	11.98
2412.80	-4.7	-7.98	-3.28	12.02
2412.85	-4.7	-7.81	-3.11	12.19
2412.90	-4.7	-7.64	-2.94	12.36
2412.95	-4.7	-7.25	-2.55	12.75
2413.00	-4.7	-7.31	-2.61	12.69
2413.05	-4.7	-7.37	-2.67	12.63
2413.10	-4.7	-7.57	-2.87	12.43
2413.15	-4.7	-7.78	-3.08	12.22
2413.20	-4.7	-8.01	-3.31	11.99
2413.25	-4.7	-8.14	-3.44	11.86
2413.30	-4.7	-8.37	-3.67	11.63
2413.35	-4.7	-8.69	-3.99	11.31
2413.40	-4.7	-8.83	-4.13	11.17
2413.45	-4.7	-9.14	-4.44	10.86
2413.50	-4.7	-8.90	-4.20	11.10
2413.55	-4.7	-8.76	-4.06	11.24
2413.60	-4.7	-9.02	-4.32	10.98
2413.65	-4.7	-9.24	-4.54	10.76
2413.70	-4.7	-8.97	-4.27	11.03
2413.75	-4.7	-8.64	-3.94	11.36
2413.80	-4.7	-8.37	-3.67	11.63
2413.85	-4.7	-7.94	-3.24	12.06
2413.90	-4.7	-7.78	-3.08	12.22
2413.95	-4.7	-7.54	-2.84	12.46
2414.00	-4.7	-7.57	-2.87	12.43
2414.05	-4.7	-7.65	-2.95	12.35
2414.10	-4.7	-7.65	-2.95	12.35
2414.15	-4.7	-7.87	-3.17	12.13

Table 1 Processing Gain [Channel 1, DQPSK, 2.40705GHz to 2.41705GHz]

Jammer Frequency (MHz)	Signal Level S (dBm)	Signal Generator RF Output J (dBm)	Mj (J/S)	Process Gain (dB)
2414.20	-4.7	-7.73	-3.03	12.27
2414.25	-4.7	-7.87	-3.17	12.13
2414.30	-4.7	-9.76	-5.06	10.24
2414.35	-4.7	-8.07	-3.37	11.93
2414.40	-4.7	-8.24	-3.54	11.76
2414.45	-4.7	-8.48	-3.78	11.52
2414.50	-4.7	-8.75	-4.05	11.25
2414.55	-4.7	-8.93	-4.23	11.07
2414.60	-4.7	-8.93	-4.23	11.07
2414.65	-4.7	-8.93	-4.23	11.07
2414.70	-4.7	-8.74	-4.04	11.26
2414.75	-4.7	-8.47	-3.77	11.53
2414.80	-4.7	-8.23	-3.53	11.77
2414.85	-4.7	-8.16	-3.46	11.84
2414.90	-4.7	-8.08	-3.38	11.92
2414.95	-4.7	-8.05	-3.35	11.95
2415.00	-4.7	-8.05	-3.35	11.95
2415.05	-4.7	-7.98	-3.28	12.02
2415.10	-4.7	-8.07	-3.37	11.93
2415.15	-4.7	-9.89	-5.19	10.11
2415.20	-4.7	-8.04	-3.34	11.96
2415.25	-4.7	-8.12	-3.42	11.88
2415.30	-4.7	-8.20	-3.50	11.80
2415.35	-4.7	-8.24	-3.54	11.76
2415.40	-4.7	-8.20	-3.50	11.80
2415.45	-4.7	-8.74	-4.04	11.26
2415.50	-4.7	-8.74	-4.04	11.26
2415.55	-4.7	-8.74	-4.04	11.26
2415.60	-4.7	-8.41	-3.71	11.59
2415.65	-4.7	-8.03	-3.33	11.97
2415.70	-4.7	-8.17	-3.47	11.83
2415.75	-4.7	-8.24	-3.54	11.76
2415.80	-4.7	-8.42	-3.72	11.58
2415.85	-4.7	-8.61	-3.91	11.39
2415.90	-4.7	-8.67	-3.97	11.33
2415.95	-4.7	-8.71	-4.01	11.29

Table 2 Processing Gain [Channel 6, DQPSK, 2.43205GHz to 2.44205GHz]

Jammer Frequency (MHz)	Signal Level S (dBm)	Signal Generator RF Output J (dBm)	Mj (J/S)	Process Gain (dB)
2432.05	-4.7	-6.65	-1.95	13.35
2432.10	-4.7	-6.65	-1.95	13.35
2432.15	-4.7	-6.82	-2.12	13.18
2432.20	-4.7	-7.02	-2.32	12.98
2432.25	-4.7	-7.02	-2.32	12.98
2432.30	-4.7	-7.02	-2.32	12.98
2432.35	-4.7	-7.58	-2.88	12.42
2432.40	-4.7	-7.24	-2.54	12.76
2432.45	-4.7	-7.22	-2.52	12.78
2432.50	-4.7	-7.20	-2.50	12.80
2432.55	-4.7	-7.04	-2.34	12.96
2432.60	-4.7	-6.75	-2.05	13.25
2432.65	-4.7	-6.75	-2.05	13.25
2432.70	-4.7	-6.74	-2.04	13.26
2432.75	-4.7	-6.74	-2.04	13.26
2432.80	-4.7	-6.67	-1.97	13.33
2432.85	-4.7	-6.74	-2.04	13.26
2432.90	-4.7	-6.75	-2.05	13.25
2432.95	-4.7	-7.17	-2.47	12.83
2433.00	-4.7	-7.61	-2.91	12.39
2433.05	-4.7	-7.60	-2.90	12.40
2433.10	-4.7	-7.60	-2.90	12.40
2433.15	-4.7	-7.53	-2.83	12.47
2433.20	-4.7	-7.48	-2.78	12.52
2433.25	-4.7	-7.12	-2.42	12.88
2433.30	-4.7	-6.85	-2.15	13.15
2433.35	-4.7	-6.58	-1.88	13.52
2433.40	-4.7	-6.48	-1.78	13.62
2433.45	-4.7	-6.37	-1.67	13.73
2433.50	-4.7	-6.28	-1.58	13.72
2433.55	-4.7	-6.07	-1.37	13.93
2433.60	-4.7	-5.87	-1.17	14.13
2433.65	-4.7	-5.76	-1.06	14.24
2433.70	-4.7	-5.67	-0.97	14.33
2433.75	-4.7	-6.81	-2.11	13.19

2433.80	-4.7	-7.69	-2.99	12.31
---------	------	-------	-------	-------

Table 2 Processing Gain [Channel 6, DQPSK, 2.43205GHz to 2.44205GHz]

Jammer Frequency (MHz)	Signal Level S (dBm)	Signal Generator RF Output J (dBm)	Mj (J/S)	Process Gain (dB)
2433.85	-4.7	-7.58	-2.88	12.42
2433.90	-4.7	-7.49	-2.79	12.51
2433.95	-4.7	-7.27	-2.57	12.73
2434.00	-4.7	-7.18	-2.48	12.82
2434.05	-4.7	-7.33	-2.63	12.67
2434.10	-4.7	-7.59	-2.89	12.41
2434.15	-4.7	-7.94	-3.24	12.06
2434.20	-4.7	-8.30	-3.60	11.70
2434.25	-4.7	-8.12	-3.42	11.88
2434.30	-4.7	-7.94	-3.24	12.06
2434.35	-4.7	-7.72	-3.02	12.28
2434.40	-4.7	-7.54	-2.84	12.46
2434.45	-4.7	-7.73	-3.03	12.27
2434.50	-4.7	-7.95	-3.25	12.05
2434.55	-4.7	-7.57	-2.87	12.43
2434.60	-4.7	-7.34	-2.64	12.66
2434.65	-4.7	-6.82	-2.12	13.18
2434.70	-4.7	-6.54	-1.84	13.46
2434.75	-4.7	-6.54	-1.84	13.46
2434.80	-4.7	-6.54	-1.84	13.46
2434.85	-4.7	-6.73	-2.03	13.27
2434.90	-4.7	-6.94	-2.24	13.06
2434.95	-4.7	-7.08	-2.38	12.92
2435.00	-4.7	-7.29	-2.59	12.71
2435.05	-4.7	-7.54	-2.84	12.46
2435.10	-4.7	-7.89	-3.19	12.11
2435.15	-4.7	-7.91	-3.21	12.09
2435.20	-4.7	-8.09	-3.39	11.91
2435.25	-4.7	-8.23	-3.53	11.77
2435.30	-4.7	-8.40	-3.70	11.60
2435.35	-4.7	-8.37	-3.67	11.63
2435.40	-4.7	-8.20	-3.50	11.80
2435.45	-4.7	-7.89	-3.19	12.11
2435.50	-4.7	-7.50	-2.80	12.50

2435.55	-4.7	-7.27	-2.57	12.73
2435.60	-4.7	-7.07	-2.37	12.93

Table 2 Processing Gain [Channel 6, DQPSK, 2.43205GHz to 2.44205GHz]

Jammer Frequency (MHz)	Signal Level S (dBm)	Signal Generator RF Output J (dBm)	Mj (J/S)	Process Gain (dB)
2435.65	-4.7	-7.07	-2.37	12.93
2435.70	-4.7	-7.07	-2.37	12.93
2435.75	-4.7	-7.16	-2.46	12.84
2435.80	-4.7	-7.29	-2.59	12.71
2435.85	-4.7	-7.29	-2.59	12.71
2435.90	-4.7	-7.29	-2.59	12.71
2435.95	-4.7	-7.38	-2.68	12.62
2436.00	-4.7	-7.49	-2.79	12.51
2436.05	-4.7	-7.49	-2.79	12.51
2436.10	-4.7	-7.49	-2.79	12.51
2436.15	-4.7	-7.58	-2.88	12.42
2436.20	-4.7	-7.69	-2.99	12.31
2436.25	-4.7	-7.37	-2.67	12.63
2436.30	-4.7	-7.09	-2.39	12.91
2436.35	-4.7	-7.16	-2.46	12.84
2436.40	-4.7	-7.30	-2.60	12.70
2436.45	-4.7	-7.30	-2.60	12.70
2436.50	-4.7	-7.30	-2.60	12.70
2436.55	-4.7	-7.51	-2.81	12.49
2436.60	-4.7	-7.71	-3.01	12.29
2436.65	-4.7	-8.12	-3.42	11.88
2436.70	-4.7	-8.41	-3.71	11.59
2436.75	-4.7	-8.67	-3.97	11.33
2436.80	-4.7	-8.72	-4.02	11.28
2436.85	-4.7	-9.23	-4.53	10.77
2436.90	-4.7	-9.50	-4.80	10.50
2436.95	-4.7	-8.56	-3.86	11.44
2437.00	-4.7	-7.92	-3.22	12.08
2437.05	-4.7	-8.24	-3.54	11.76
2437.10	-4.7	-8.73	-4.03	11.27
2437.15	-4.7	-8.34	-3.64	11.66
2437.20	-4.7	-8.12	-3.42	11.88
2437.25	-4.7	-7.87	-3.17	12.13

2437.30	-4.7	-7.22	-2.52	12.78
2437.35	-4.7	-7.22	-2.52	12.78
2437.40	-4.7	-7.22	-2.52	12.78

Table 2 Processing Gain [Channel 6, DQPSK, 2.43205GHz to 2.44205GHz]

Jammer Frequency (MHz)	Signal Level S (dBm)	Signal Generator RF Output J (dBm)	Mj (J/S)	Process Gain (dB)
2437.45	-4.7	-7.56	-2.86	12.44
2437.50	-4.7	-7.93	-3.23	12.07
2437.55	-4.7	-8.02	-3.32	11.98
2437.60	-4.7	-8.13	-3.43	11.87
2437.65	-4.7	-8.13	-3.43	11.87
2437.70	-4.7	-8.13	-3.43	11.87
2437.75	-4.7	-7.96	-3.26	12.04
2437.80	-4.7	-7.83	-3.13	12.17
2437.85	-4.7	-8.12	-3.42	11.88
2437.90	-4.7	-8.44	-3.74	11.56
2437.95	-4.7	-7.96	-3.26	12.04
2438.00	-4.7	-7.23	-2.53	12.77
2438.05	-4.7	-7.06	-2.36	12.94
2438.10	-4.7	-6.93	-2.23	13.07
2438.15	-4.7	-6.93	-2.23	13.07
2438.20	-4.7	-6.93	-2.23	13.07
2438.25	-4.7	-7.12	-2.42	12.88
2438.30	-4.7	-7.28	-2.58	12.72
2438.35	-4.7	-7.28	-2.58	12.72
2438.40	-4.7	-7.28	-2.58	12.72
2438.45	-4.7	-7.47	-2.77	12.53
2438.50	-4.7	-7.63	-2.93	12.37
2438.55	-4.7	-7.69	-2.99	12.31
2438.60	-4.7	-7.72	-3.02	12.28
2438.65	-4.7	-7.96	-3.26	12.04
2438.70	-4.7	-8.07	-3.37	11.93
2438.75	-4.7	-8.07	-3.37	11.93
2438.80	-4.7	-8.07	-3.37	11.93
2438.85	-4.7	-8.07	-3.37	11.93
2438.90	-4.7	-8.07	-3.37	11.93
2438.95	-4.7	-7.82	-3.12	12.18
2439.00	-4.7	-7.69	-2.99	12.31

2439.05	-4.7	-7.34	-2.64	12.66
2439.10	-4.7	-7.16	-2.46	12.84
2439.15	-4.7	-7.16	-2.46	12.84
2439.20	-4.7	-7.16	-2.46	12.84

Table 2 Processing Gain [Channel 6, DQPSK, 2.43205GHz to 2.44205GHz]

Jammer Frequency (MHz)	Signal Level S (dBm)	Signal Generator RF Output J (dBm)	Mj (J/S)	Process Gain (dB)
2439.25	-4.7	-7.27	-2.57	12.73
2439.30	-4.7	-7.46	-2.76	12.54
2439.35	-4.7	-7.46	-2.76	12.54
2439.40	-4.7	-7.46	-2.76	12.54
2439.45	-4.7	-7.58	-2.88	12.42
2439.50	-4.7	-7.66	-2.96	12.34
2439.55	-4.7	-7.59	-2.89	12.41
2439.60	-4.7	-7.59	-2.89	12.41
2439.65	-4.7	-7.96	-3.26	12.04
2439.70	-4.7	-8.47	-3.77	11.53
2439.75	-4.7	-8.32	-3.62	11.68
2439.80	-4.7	-8.26	-3.56	11.74
2439.85	-4.7	-8.20	-3.50	11.80
2439.90	-4.7	-8.16	-3.46	11.84
2439.95	-4.7	-8.04	-3.34	11.96
2440.00	-4.7	-7.96	-3.26	12.04
2440.05	-4.7	-7.94	-3.24	12.06
2440.10	-4.7	-7.87	-3.17	12.13
2440.15	-4.7	-7.54	-2.84	12.46
2440.20	-4.7	-7.37	-2.67	12.63
2440.25	-4.7	-7.31	-2.61	12.69
2440.30	-4.7	-7.27	-2.57	12.73
2440.35	-4.7	-7.19	-2.49	12.81
2440.40	-4.7	-7.17	-2.47	12.83
2440.45	-4.7	-7.34	-2.64	12.66
2440.50	-4.7	-7.66	-2.96	12.34
2440.55	-4.7	-7.78	-3.08	12.22
2440.60	-4.7	-7.97	-3.27	12.03
2440.65	-4.7	-8.23	-3.53	11.77
2440.70	-4.7	-8.57	-3.87	11.43
2440.75	-4.7	-8.74	-4.04	11.26

Table 3 Processing Gain [Channel 11, DQPSK, 2.45705GHz to 2.46705GHz]

Jammer Frequency (MHz)	Signal Level S (dBm)	Signal Generator RF Output J (dBm)	Mj (J/S)	Process Gain (dB)
2457.05	-4.7	-5.48	-0.78	14.52
2457.10	-4.7	-5.52	-0.82	14.48
2457.15	-4.7	-5.78	-1.08	14.22
2457.20	-4.7	-6.02	-1.32	13.98
2457.25	-4.7	-6.17	-1.47	13.83
2457.30	-4.7	-6.32	-1.62	13.68
2457.35	-4.7	-6.24	-1.54	13.76
2457.40	-4.7	-6.14	-1.44	13.86
2457.45	-4.7	-5.98	-1.28	14.02
2457.50	-4.7	-5.85	-1.15	14.15
2457.55	-4.7	-5.89	-1.19	14.11
2457.60	-4.7	-5.92	-1.22	14.08
2457.65	-4.7	-5.89	-1.19	14.11
2457.70	-4.7	-5.84	-1.14	14.16
2457.75	-4.7	-6.02	-1.32	13.98
2457.80	-4.7	-6.12	-1.42	13.88
2457.85	-4.7	-6.17	-1.47	13.83
2457.90	-4.7	-6.23	-1.53	13.77
2457.95	-4.7	-6.18	-1.48	13.82
2458.00	-4.7	-6.02	-1.32	13.98
2458.05	-4.7	-5.94	-1.24	14.06
2458.10	-4.7	-5.84	-1.14	14.16
2458.15	-4.7	-5.84	-1.14	14.16
2458.20	-4.7	-5.84	-1.14	14.16
2458.25	-4.7	-5.87	-1.17	14.13
2458.30	-4.7	-5.91	-1.21	14.09
2458.35	-4.7	-6.14	-1.44	13.86
2458.40	-4.7	-6.25	-1.55	13.75
2458.45	-4.7	-6.31	-1.61	13.69

2458.50	-4.7	-6.37	-1.67	13.63
2458.55	-4.7	-6.58	-1.88	13.42
2458.60	-4.7	-6.87	-2.17	13.13
2458.65	-4.7	-6.32	-1.62	13.68
2458.70	-4.7	-5.94	-1.24	14.06
2458.75	-4.7	-5.72	-1.02	14.28
2458.80	-4.7	-5.42	-0.72	14.58

Table 3 Processing Gain [Channel 11, DQPSK, 2.45705GHz to 2.46705GHz]

Jammer Frequency (MHz)	Signal Level S (dBm)	Signal Generator RF Output J (dBm)	Mj (J/S)	Process Gain (dB)
2458.85	-4.7	-5.52	-0.82	14.48
2458.90	-4.7	-5.57	-0.87	14.43
2458.95	-4.7	-5.32	-0.62	14.68
2459.00	-4.7	-5.18	-0.48	14.82
2459.05	-4.7	-5.16	-0.46	14.84
2459.10	-4.7	-5.12	-0.42	14.88
2459.15	-4.7	-5.34	-0.64	14.66
2459.20	-4.7	-5.70	-1.00	14.30
2459.25	-4.7	-5.84	-1.14	14.16
2459.30	-4.7	-6.08	-1.38	13.92
2459.35	-4.7	-6.06	-1.36	13.94
2459.40	-4.7	-6.05	-1.35	13.95
2459.45	-4.7	-6.04	-1.34	13.96
2459.50	-4.7	-6.03	-1.33	13.97
2459.55	-4.7	-5.75	-1.05	14.25
2459.60	-4.7	-5.24	-0.54	14.76
2459.65	-4.7	-5.21	-0.51	14.79
2459.70	-4.7	-5.19	-0.49	14.81
2459.75	-4.7	-5.36	-0.66	14.64
2459.80	-4.7	-5.52	-0.82	14.48
2459.85	-4.7	-5.49	-0.79	14.51
2459.90	-4.7	-5.46	-0.76	14.54
2459.95	-4.7	-5.23	-0.53	14.77
2460.00	-4.7	-4.99	-0.29	15.01
2460.05	-4.7	-5.12	-0.42	14.88
2460.10	-4.7	-5.27	-0.57	14.73
2460.15	-4.7	-5.20	-0.50	14.80
2460.20	-4.7	-5.17	-0.47	14.83

2460.25	-4.7	-5.84	-1.14	14.16
2460.30	-4.7	-6.24	-1.54	13.76
2460.35	-4.7	-5.79	-1.09	14.21
2460.40	-4.7	-5.16	-0.46	14.84
2460.45	-4.7	-5.21	-0.51	14.79
2460.50	-4.7	-5.24	-0.54	14.76
2460.55	-4.7	-5.78	-1.08	14.22
2460.60	-4.7	-6.02	-1.32	13.98

Table 3 Processing Gain [Channel 11, DQPSK, 2.45705GHz to 2.46705GHz]

Jammer Frequency (MHz)	Signal Level S (dBm)	Signal Generator RF Output J (dBm)	Mj (J/S)	Process Gain (dB)
2460.65	-4.7	-6.07	-1.37	13.93
2460.70	-4.7	-6.12	-1.42	13.88
2460.75	-4.7	-5.87	-1.17	14.13
2460.80	-4.7	-5.61	-0.91	14.39
2460.85	-4.7	-5.74	-1.04	14.26
2460.90	-4.7	-5.82	-1.12	14.18
2460.95	-4.7	-5.68	-0.98	14.32
2461.00	-4.7	-5.54	-0.84	14.46
2461.05	-4.7	-5.37	-0.67	14.63
2461.10	-4.7	-5.00	-0.30	15.00
2461.15	-4.7	-5.03	-0.33	14.97
2461.20	-4.7	-5.07	-0.37	14.93
2461.25	-4.7	-5.42	-0.72	14.58
2461.30	-4.7	-5.81	-1.11	14.19
2461.35	-4.7	-5.64	-0.94	14.36
2461.40	-4.7	-5.46	-0.76	14.54
2461.45	-4.7	-5.72	-1.02	14.28
2461.50	-4.7	-5.87	-1.17	14.13
2461.55	-4.7	-5.73	-1.03	14.27
2461.60	-4.7	-5.60	-0.90	14.40
2461.65	-4.7	-5.60	-0.90	14.40
2461.70	-4.7	-5.60	-0.90	14.40
2461.75	-4.7	-5.72	-1.02	14.28
2461.80	-4.7	-5.78	-1.08	14.22
2461.85	-4.7	-6.04	-1.34	13.96
2461.90	-4.7	-6.21	-1.51	13.79
2461.95	-4.7	-6.19	-1.49	13.81
2462.00	-4.7	-6.17	-1.47	13.83
2462.05	-4.7	-6.38	-1.68	13.62
2462.10	-4.7	-6.68	-1.98	13.32
2462.15	-4.7	-6.54	-1.84	13.46
2462.20	-4.7	-6.24	-1.54	13.76
2462.25	-4.7	-6.73	-2.03	13.27
2462.30	-4.7	-6.96	-2.26	13.04
2462.35	-4.7	-6.21	-1.51	13.79
2462.40	-4.7	-5.87	-1.17	14.13

Table 3 Processing Gain [Channel 11, DQPSK, 2.45705GHz to 2.46705GHz]

Jammer Frequency (MHz)	Signal Level S (dBm)	Signal Generator RF Output J (dBm)	Mj (J/S)	Process Gain (dB)
2462.45	-4.7	-5.47	-0.77	14.53
2462.50	-4.7	-5.16	-0.46	14.84
2462.55	-4.7	-5.28	-0.58	14.72
2462.60	-4.7	-5.48	-0.78	14.52
2462.65	-4.7	-5.53	-0.83	14.47
2462.70	-4.7	-5.67	-0.97	14.33
2462.75	-4.7	-5.42	-0.72	14.58
2462.80	-4.7	-5.28	-0.58	14.72
2462.85	-4.7	-5.12	-0.42	14.88
2462.90	-4.7	-4.98	-0.28	15.02
2462.95	-4.7	-4.94	-0.24	15.06
2463.00	-4.7	-4.87	-0.17	15.13
2463.05	-4.7	-5.23	-0.53	14.77
2463.10	-4.7	-2.68	-2.02	17.32
2463.15	-4.7	-5.72	-1.02	14.28
2463.20	-4.7	-5.87	-1.17	14.13
2463.25	-4.7	-5.94	-1.24	14.06
2463.30	-4.7	-6.08	-1.38	13.92
2463.35	-4.7	-5.92	-1.22	14.08
2463.40	-4.7	-6.08	-1.38	13.92
2463.45	-4.7	-5.92	-1.22	14.08
2463.50	-4.7	-5.87	-1.17	14.13
2463.55	-4.7	-5.79	-1.09	14.21
2463.60	-4.7	-5.74	-1.04	14.26
2463.65	-4.7	-5.53	-0.83	14.47
2463.70	-4.7	-5.38	-0.68	14.62
2463.75	-4.7	-5.12	-0.42	14.88
2463.80	-4.7	-4.99	-0.29	15.01
2463.85	-4.7	-5.31	-0.61	14.69
2463.90	-4.7	-5.72	-1.02	14.28
2463.95	-4.7	-5.43	-0.73	14.57
2464.00	-4.7	-5.14	-0.44	14.86
2464.05	-4.7	-5.62	-0.92	14.38
2464.10	-4.7	-5.84	-1.14	14.16
2464.15	-4.7	-5.84	-1.14	14.16

2464.20	-4.7	-5.84	-1.14	14.16
---------	------	-------	-------	-------

Table 3 Processing Gain [Channel 11, DQPSK, 2.45705GHz to 2.46705GHz]

Jammer Frequency (MHz)	Signal Level S (dBm)	Signal Generator RF Output J (dBm)	Mj (J/S)	Process Gain (dB)
2464.25	-4.7	-5.48	-0.78	14.52
2464.30	-4.7	-4.98	-0.28	15.02
2464.35	-4.7	-5.02	-0.32	14.98
2464.40	-4.7	-5.16	-0.46	14.84
2464.45	-4.7	-5.21	-0.51	14.79
2464.50	-4.7	-5.24	-0.54	14.76
2464.55	-4.7	-5.37	-0.67	14.63
2464.60	-4.7	-5.64	-0.94	14.36
2464.65	-4.7	-5.63	-0.93	14.37
2464.70	-4.7	-5.64	-0.94	14.36
2464.75	-4.7	-5.59	-0.89	14.41
2464.80	-4.7	-5.54	-0.84	14.46
2464.85	-4.7	-5.51	-0.81	14.49
2464.90	-4.7	-5.48	-0.78	14.52
2464.95	-4.7	-5.67	-0.97	14.33
2465.00	-4.7	-5.87	-1.17	14.13
2465.05	-4.7	-5.77	-1.07	14.23
2465.10	-4.7	-5.76	-1.06	14.24
2465.15	-4.7	-5.94	-1.24	14.06
2465.20	-4.7	-6.20	-1.50	13.80
2465.25	-4.7	-6.20	-1.50	13.80
2465.30	-4.7	-6.20	-1.50	13.80
2465.35	-4.7	-6.19	-1.49	13.81
2465.40	-4.7	-6.18	-1.48	13.82
2465.45	-4.7	-5.87	-1.17	14.13
2465.50	-4.7	-5.74	-1.04	14.26
2465.55	-4.7	-5.62	-0.92	14.38
2465.60	-4.7	-5.59	-0.89	14.41
2465.65	-4.7	-5.68	-0.98	14.32
2465.70	-4.7	-5.86	-1.16	14.14
2465.75	-4.7	-5.97	-1.27	14.03
2465.80	-4.7	-6.08	-1.38	13.92
2465.85	-4.7	-6.08	-1.38	13.92
2465.90	-4.7	-6.07	-1.37	13.93

Table 4 Processing Gain [Channel 1, BPSK, 2.40705GHz to 2.41705GHz]

Jammer Frequency (MHz)	Signal Level S (dBm)	Signal Generator RF Output J (dBm)	Mj (J/S)	Process Gain (dB)
2407.05	-4.7	-7.57	-2.87	10.43
2407.10	-4.7	-6.32	-1.62	11.68
2407.15	-4.7	-6.64	-1.62	11.68
2407.20	-4.7	-6.97	-1.94	11.36
2407.25	-4.7	-6.97	-2.27	11.03
2407.30	-4.7	-6.97	-2.27	11.03
2407.35	-4.7	-6.62	-2.27	11.03
2407.40	-4.7	-6.57	-1.92	11.38
2407.45	-4.7	-6.45	-1.87	11.43
2407.50	-4.7	-6.38	-1.75	11.55
2407.55	-4.7	-6.52	-1.68	11.62
2407.60	-4.7	-6.60	-1.82	11.48
2407.65	-4.7	-6.18	-1.90	11.40
2407.70	-4.7	-6.38	-1.48	11.82
2407.75	-4.7	-6.41	-1.68	11.62
2407.80	-4.7	-6.60	-1.90	11.40
2407.85	-4.7	-6.48	-1.78	11.52
2407.90	-4.7	-6.37	-1.67	11.63
2407.95	-4.7	-6.41	-1.71	11.59
2408.00	-4.7	-6.45	-1.75	11.55
2408.05	-4.7	-6.52	-1.82	11.48
2408.10	-4.7	-6.66	-1.96	11.34
2408.15	-4.7	-6.92	-2.22	11.08
2408.20	-4.7	-7.15	-2.45	10.85
2408.25	-4.7	-7.12	-2.42	10.88
2408.30	-4.7	-7.10	-2.40	10.90
2408.35	-4.7	-7.10	-2.40	10.90
2408.40	-4.7	-7.10	-2.40	10.90
2408.45	-4.7	-7.03	-2.33	10.97
2408.50	-4.7	-6.91	-2.21	11.09
2408.55	-4.7	-6.72	-2.02	11.28
2408.60	-4.7	-6.64	-1.94	11.36

2408.65	-4.7	-6.64	-1.94	11.36
2408.70	-4.7	-6.64	-1.94	11.36
2408.75	-4.7	-6.72	-2.02	11.28
2408.80	-4.7	-6.81	-2.11	11.19

Table 4 Processing Gain [Channel 1, BPSK, 2.40705GHz to 2.41705GHz]

Jammer Frequency (MHz)	Signal Level S (dBm)	Signal Generator RF Output J (dBm)	Mj (J/S)	Process Gain (dB)
2408.85	-4.7	-6.81	-2.11	11.19
2408.90	-4.7	-6.81	-2.11	11.19
2408.95	-4.7	-6.24	-2.11	11.19
2409.00	-4.7	-5.90	-1.54	11.76
2409.05	-4.7	-6.02	-1.20	12.10
2409.10	-4.7	-6.14	-1.32	11.98
2409.15	-4.7	-6.31	-1.44	11.86
2409.20	-4.7	-6.51	-1.61	11.69
2409.25	-4.7	-6.76	-1.81	11.49
2409.30	-4.7	-6.98	-2.06	11.24
2409.35	-4.7	-6.62	-2.28	11.02
2409.40	-4.7	-6.48	-1.92	11.38
2409.45	-4.7	-6.47	-1.78	11.52
2409.50	-4.7	-6.45	-1.77	11.53
2409.55	-4.7	-6.32	-1.75	11.55
2409.60	-4.7	-6.16	-1.46	11.84
2409.65	-4.7	-6.08	-1.38	11.92
2409.70	-4.7	-5.95	-1.25	12.05
2409.75	-4.7	-6.04	-1.34	11.96
2409.80	-4.7	-6.19	-1.49	11.81
2409.85	-4.7	-6.12	-1.42	11.88
2409.90	-4.7	-6.07	-1.37	11.93
2409.95	-4.7	-6.18	-1.48	11.82
2410.00	-4.7	-6.36	-1.66	11.64
2410.05	-4.7	-6.36	-1.66	11.64
2410.10	-4.7	-6.37	-1.67	11.63
2410.15	-4.7	-6.83	-2.13	11.17
2410.20	-4.7	-7.07	-2.37	10.93
2410.25	-4.7	-7.06	-2.36	10.94
2410.30	-4.7	-7.06	-2.36	10.94
2410.35	-4.7	-7.06	-2.36	10.94

2410.40	-4.7	-7.06	-2.36	10.94
2410.45	-4.7	-7.06	-2.36	10.94
2410.50	-4.7	-7.01	-2.31	10.99
2410.55	-4.7	-6.82	-2.12	11.18
2410.60	-4.7	-6.45	-1.75	11.55

Table 4 Processing Gain [Channel 1, BPSK, 2.40705GHz to 2.41705GHz]

Jammer Frequency (MHz)	Signal Level S (dBm)	Signal Generator RF Output J (dBm)	Mj (J/S)	Process Gain (dB)
2410.65	-4.7	-6.45	-1.75	11.55
2410.70	-4.7	-6.45	-1.75	11.55
2410.75	-4.7	-6.45	-1.75	11.55
2410.80	-4.7	-6.45	-1.75	11.55
2410.85	-4.7	-6.27	-1.75	11.55
2410.90	-4.7	-6.14	-1.57	11.73
2410.95	-4.7	-6.17	-1.44	11.86
2411.00	-4.7	-6.20	-1.47	11.83
2411.05	-4.7	-6.23	-1.50	11.80
2411.10	-4.7	-6.27	-1.53	11.77
2411.15	-4.7	-6.31	-1.57	11.73
2411.20	-4.7	-6.37	-1.61	11.69
2411.25	-4.7	-6.53	-1.67	11.63
2411.30	-4.7	-6.78	-1.83	11.47
2411.35	-4.7	-6.52	-2.08	11.22
2411.40	-4.7	-6.48	-1.78	11.52
2411.45	-4.7	-6.48	-1.78	11.52
2411.50	-4.7	-6.48	-1.78	11.52
2411.55	-4.7	-6.37	-1.67	11.63
2411.60	-4.7	-6.28	-1.58	11.72
2411.65	-4.7	-6.67	-1.97	11.33
2411.70	-4.7	-6.99	-2.29	11.01
2411.75	-4.7	-7.12	-2.42	10.88
2411.80	-4.7	-7.60	-2.90	10.40
2411.85	-4.7	-7.53	-2.83	10.47
2411.90	-4.7	-7.40	-2.70	10.60
2411.95	-4.7	-7.51	-2.81	10.49
2412.00	-4.7	-7.40	-2.70	10.60
2412.05	-4.7	-7.12	-2.42	10.88
2412.10	-4.7	-7.60	-2.90	10.40

2412.15	-4.7	-7.54	-2.84	10.46
2412.20	-4.7	-7.40	-2.70	10.60
2412.25	-4.7	-7.53	-2.83	10.47
2412.30	-4.7	-7.60	-2.90	10.40
2412.35	-4.7	-7.60	-2.90	10.40
2412.40	-4.7	-7.60	-2.90	10.40

Table 4 Processing Gain [Channel 1, BPSK, 2.40705GHz to 2.41705GHz]

Jammer Frequency (MHz)	Signal Level S (dBm)	Signal Generator RF Output J (dBm)	Mj (J/S)	Process Gain (dB)
2412.45	-4.7	-7.60	-2.90	10.40
2412.50	-4.7	-7.60	-2.90	10.40
2412.55	-4.7	-7.32	-2.90	10.40
2412.60	-4.7	-6.90	-2.62	10.68
2412.65	-4.7	-6.90	-2.20	11.10
2412.70	-4.7	-6.90	-2.20	11.10
2412.75	-4.7	-6.71	-2.20	11.10
2412.80	-4.7	-6.50	-2.01	11.29
2412.85	-4.7	-6.33	-1.80	11.50
2412.90	-4.7	-6.01	-1.63	11.67
2412.95	-4.7	-6.01	-1.31	11.99
2413.00	-4.7	-6.01	-1.31	11.99
2413.05	-4.7	-6.46	-1.31	11.99
2413.10	-4.7	-6.64	-1.76	11.54
2413.15	-4.7	-6.82	-1.94	11.36
2413.20	-4.7	-6.96	-2.26	11.04
2413.25	-4.7	-7.12	-2.42	10.88
2413.30	-4.7	-7.47	-2.77	10.53
2413.35	-4.7	-7.53	-2.83	10.47
2413.40	-4.7	-7.69	-2.99	10.31
2413.45	-4.7	-7.92	-3.22	10.08
2413.50	-4.7	-8.20	-3.50	9.80
2413.55	-4.7	-8.17	-3.47	9.83
2413.60	-4.7	-8.12	-3.42	9.88
2413.65	-4.7	-8.21	-3.51	9.79
2413.70	-4.7	-8.33	-3.63	9.67
2413.75	-4.7	-8.06	-3.36	9.94
2413.80	-4.7	-7.77	-3.07	10.23
2413.85	-4.7	-7.23	-2.53	10.77

2413.90	-4.7	-6.93	-2.23	11.07
2413.95	-4.7	-6.52	-1.82	11.48
2414.00	-4.7	-6.63	-1.93	11.37
2414.05	-4.7	-6.63	-1.93	11.37
2414.10	-4.7	-6.63	-1.93	11.37
2414.15	-4.7	-6.63	-1.93	11.37
2414.20	-4.7	-6.63	-1.93	11.37

Table 4 Processing Gain [Channel 1, BPSK, 2.40705GHz to 2.41705GHz]

Jammer Frequency (MHz)	Signal Level S (dBm)	Signal Generator RF Output J (dBm)	Mj (J/S)	Process Gain (dB)
2414.25	-4.7	-6.64	-1.94	11.36
2414.30	-4.7	-6.64	-1.94	11.36
2414.35	-4.7	-6.72	-1.94	11.36
2414.40	-4.7	-6.84	-2.02	11.28
2414.45	-4.7	-7.02	-2.14	11.16
2414.50	-4.7	-7.14	-2.32	10.98
2414.55	-4.7	-7.21	-2.44	10.86
2414.60	-4.7	-7.34	-2.51	10.79
2414.65	-4.7	-7.56	-2.64	10.66
2414.70	-4.7	-7.93	-2.86	10.44
2414.75	-4.7	-7.93	-3.23	10.07
2414.80	-4.7	-7.93	-3.23	10.07
2414.85	-4.7	-7.79	-3.23	10.07
2414.90	-4.7	-7.64	-3.09	10.21
2414.95	-4.7	-7.42	-2.94	10.36
2415.00	-4.7	-7.25	-2.55	10.75
2415.05	-4.7	-7.25	-2.55	10.75
2415.10	-4.7	-7.25	-2.55	10.75
2415.15	-4.7	-7.17	-2.47	10.83
2415.20	-4.7	-7.04	-2.34	10.96
2415.25	-4.7	-7.02	-2.32	10.98
2415.30	-4.7	-6.99	-2.29	11.01
2415.35	-4.7	-7.06	-2.36	10.94
2415.40	-4.7	-7.11	-2.41	10.89
2415.45	-4.7	-7.18	-2.48	10.82
2415.50	-4.7	-7.25	-2.55	10.75
2415.55	-4.7	-7.42	-2.72	10.58
2415.60	-4.7	-7.74	-3.04	10.26

Table 5 Processing Gain [Channel 6, BPSK, 2.43205GHz to 2.44205GHz]

Jammer Frequency (MHz)	Signal Level S (dBm)	Signal Generator RF Output J (dBm)	Mj (J/S)	Process Gain (dB)
2432.05	-4.7	-6.73	-2.03	11.27
2432.10	-4.7	-6.70	-2.00	11.30
2432.15	-4.7	-6.68	-2.00	11.30
2432.20	-4.7	-6.34	-1.98	11.32
2432.25	-4.7	-6.10	-1.64	11.66
2432.30	-4.7	-6.18	-1.40	11.90
2432.35	-4.7	-6.17	-1.48	11.82
2432.40	-4.7	-6.17	-1.47	11.83
2432.45	-4.7	-6.17	-1.47	11.83
2432.50	-4.7	-6.17	-1.47	11.83
2432.55	-4.7	-6.12	-1.47	11.83
2432.60	-4.7	-6.03	-1.42	11.88
2432.65	-4.7	-6.01	-1.33	11.97
2432.70	-4.7	-5.98	-1.31	11.99
2432.75	-4.7	-5.98	-1.28	12.02
2432.80	-4.7	-5.97	-1.27	12.03
2432.85	-4.7	-5.96	-1.26	12.04
2432.90	-4.7	-5.93	-1.23	12.07
2432.95	-4.7	-6.02	-1.32	11.98
2433.00	-4.7	-6.12	-1.42	11.88
2433.05	-4.7	-6.09	-1.39	11.91
2433.10	-4.7	-6.08	-1.38	11.92
2433.15	-4.7	-6.10	-1.40	11.90
2433.20	-4.7	-6.12	-1.42	11.88
2433.25	-4.7	-6.11	-1.41	11.89
2433.30	-4.7	-6.08	-1.38	11.92

2433.35	-4.7	-6.14	-1.44	11.86
2433.40	-4.7	-6.19	-1.49	11.81
2433.45	-4.7	-6.16	-1.46	11.84
2433.50	-4.7	-6.13	-1.43	11.87
2433.55	-4.7	-6.14	-1.44	11.86
2433.60	-4.7	-6.13	-1.43	11.87
2433.65	-4.7	-6.16	-1.46	11.84
2433.70	-4.7	-6.18	-1.48	11.82
2433.75	-4.7	-6.17	-1.47	11.83
2433.80	-4.7	-6.14	-1.44	11.86

Table 5 Processing Gain [Channel 6, BPSK, 2.43205GHz to 2.44205GHz]

Jammer Frequency (MHz)	Signal Level S (dBm)	Signal Generator RF Output J (dBm)	Mj (J/S)	Process Gain (dB)
2433.85	-4.7	-6.14	-1.44	11.86
2433.90	-4.7	-6.14	-1.44	11.86
2433.95	-4.7	-6.14	-1.44	11.86
2434.00	-4.7	-6.14	-1.44	11.86
2434.05	-4.7	-6.28	-1.44	11.86
2434.10	-4.7	-6.49	-1.58	11.72
2434.15	-4.7	-6.53	-1.79	11.51
2434.20	-4.7	-6.64	-1.83	11.47
2434.25	-4.7	-6.72	-1.94	11.36
2434.30	-4.7	-6.99	-2.02	11.28
2434.35	-4.7	-6.93	-2.29	11.01
2434.40	-4.7	-6.80	-2.23	11.07
2434.45	-4.7	-6.48	-2.10	11.20
2434.50	-4.7	-6.29	-1.78	11.52
2434.55	-4.7	-6.07	-1.59	11.71
2434.60	-4.7	-5.99	-1.29	12.01
2434.65	-4.7	-6.12	-1.42	11.88
2434.70	-4.7	-6.19	-1.49	11.81
2434.75	-4.7	-6.11	-1.41	11.89
2434.80	-4.7	-6.04	-1.34	11.96
2434.85	-4.7	-6.03	-1.33	11.97
2434.90	-4.7	-6.01	-1.31	11.99
2434.95	-4.7	-6.08	-1.38	11.92
2435.00	-4.7	-6.19	-1.49	11.81
2435.05	-4.7	-6.19	-1.49	11.81

2435.10	-4.7	-6.19	-1.49	11.81
2435.15	-4.7	-6.48	-1.78	11.52
2435.20	-4.7	-6.90	-2.20	11.10
2435.25	-4.7	-6.90	-2.20	11.10
2435.30	-4.7	-6.90	-2.20	11.10
2435.35	-4.7	-7.08	-2.38	10.92
2435.40	-4.7	-7.10	-2.40	10.90
2435.45	-4.7	-7.05	-2.35	10.95
2435.50	-4.7	-6.90	-2.20	11.10
2435.55	-4.7	-6.78	-2.08	11.22
2435.60	-4.7	-6.60	-1.90	11.40

Table 5 Processing Gain [Channel 6, BPSK, 2.43205GHz to 2.44205GHz]

Jammer Frequency (MHz)	Signal Level S (dBm)	Signal Generator RF Output J (dBm)	Mj (J/S)	Process Gain (dB)
2435.65	-4.7	-6.63	-1.93	11.37
2435.70	-4.7	-6.69	-1.99	11.31
2435.75	-4.7	-6.61	-1.99	11.31
2435.80	-4.7	-6.54	-1.91	11.39
2435.85	-4.7	-6.48	-1.84	11.46
2435.90	-4.7	-6.32	-1.78	11.52
2435.95	-4.7	-6.37	-1.62	11.68
2436.00	-4.7	-6.39	-1.67	11.63
2436.05	-4.7	-6.34	-1.69	11.61
2436.10	-4.7	-6.30	-1.64	11.66
2436.15	-4.7	-6.58	-1.60	11.70
2436.20	-4.7	-6.93	-1.88	11.42
2436.25	-4.7	-6.87	-2.23	11.07
2436.30	-4.7	-6.84	-2.17	11.13
2436.35	-4.7	-6.72	-2.14	11.16
2436.40	-4.7	-6.63	-1.93	11.37
2436.45	-4.7	-6.58	-1.88	11.42
2436.50	-4.7	-6.55	-1.85	11.45
2436.55	-4.7	-6.37	-1.67	11.63
2436.60	-4.7	-6.20	-1.50	11.80
2436.65	-4.7	-6.82	-2.12	11.18
2436.70	-4.7	-7.02	-2.32	10.98
2436.75	-4.7	-7.39	-2.69	10.61
2436.80	-4.7	-7.52	-2.82	10.48

2436.85	-4.7	-7.04	-2.34	10.96
2436.90	-4.7	-6.51	-1.81	11.49
2436.95	-4.7	-6.52	-1.82	11.48
2437.00	-4.7	-6.52	-1.82	11.48
2437.05	-4.7	-7.37	-2.67	10.63
2437.10	-4.7	-8.13	-3.43	9.87
2437.15	-4.7	-8.21	-3.51	9.79
2437.20	-4.7	-8.43	-3.73	9.57
2437.25	-4.7	-8.43	-3.73	9.57
2437.30	-4.7	-8.43	-3.73	9.57
2437.35	-4.7	-7.58	-2.88	10.42
2437.40	-4.7	-6.22	-1.52	11.78

Table 5 Processing Gain [Channel 6, BPSK, 2.43205GHz to 2.44205GHz]

Jammer Frequency (MHz)	Signal Level S (dBm)	Signal Generator RF Output J (dBm)	Mj (J/S)	Process Gain (dB)
2437.45	-4.7	-6.38	-1.68	11.62
2437.50	-4.7	-6.52	-1.82	11.48
2437.55	-4.7	-6.64	-1.82	11.48
2437.60	-4.7	-6.75	-1.94	11.36
2437.65	-4.7	-6.75	-2.05	11.25
2437.70	-4.7	-6.75	-2.05	11.25
2437.75	-4.7	-6.52	-2.05	11.25
2437.80	-4.7	-6.33	-1.82	11.48
2437.85	-4.7	-6.17	-1.63	11.67
2437.90	-4.7	-6.04	-1.47	11.83
2437.95	-4.7	-5.98	-1.34	11.96
2438.00	-4.7	-5.90	-1.28	12.02
2438.05	-4.7	-5.87	-1.20	12.10
2438.10	-4.7	-6.03	-1.17	12.13
2438.15	-4.7	-6.32	-1.33	11.97
2438.20	-4.7	-6.54	-1.84	11.46
2438.25	-4.7	-6.67	-1.97	11.33
2438.30	-4.7	-6.84	-2.14	11.16
2438.35	-4.7	-7.12	-2.42	10.88
2438.40	-4.7	-7.74	-3.04	10.26
2438.45	-4.7	-7.62	-2.92	10.38
2438.50	-4.7	-7.55	-2.85	10.45
2438.55	-4.7	-7.55	-2.85	10.45

2438.60	-4.7	-7.55	-2.85	10.45
2438.65	-4.7	-7.55	-2.85	10.45
2438.70	-4.7	-7.55	-2.85	10.45
2438.75	-4.7	-7.36	-2.66	10.64
2438.80	-4.7	-6.95	-2.25	11.05
2438.85	-4.7	-6.73	-2.03	11.27
2438.90	-4.7	-6.54	-1.84	11.46
2438.95	-4.7	-6.42	-1.72	11.58
2439.00	-4.7	-6.39	-1.69	11.61
2439.05	-4.7	-6.39	-1.69	11.61
2439.10	-4.7	-6.39	-1.69	11.61
2439.15	-4.7	-6.33	-1.63	11.67
2439.20	-4.7	-6.29	-1.59	11.71

Table 5 Processing Gain [Channel 6, BPSK, 2.43205GHz to 2.44205GHz]

Jammer Frequency (MHz)	Signal Level S (dBm)	Signal Generator RF Output J (dBm)	Mj (J/S)	Process Gain (dB)
2439.25	-4.7	-6.34	-1.64	11.66
2439.30	-4.7	-6.40	-1.70	11.60
2439.35	-4.7	-6.43	-1.70	11.60
2439.40	-4.7	-6.46	-1.73	11.57
2439.45	-4.7	-6.51	-1.76	11.54
2439.50	-4.7	-6.56	-1.81	11.49
2439.55	-4.7	-6.76	-1.86	11.44
2439.60	-4.7	-7.05	-2.06	11.24
2439.65	-4.7	-7.05	-2.35	10.95
2439.70	-4.7	-7.05	-2.35	10.95
2439.75	-4.7	-7.05	-2.35	10.95
2439.80	-4.7	-7.05	-2.35	10.95
2439.85	-4.7	-6.83	-2.35	10.95
2439.90	-4.7	-6.75	-2.13	11.17
2439.95	-4.7	-6.75	-2.05	11.25
2440.00	-4.7	-6.75	-2.05	11.25
2440.05	-4.7	-6.73	-2.03	11.27
2440.10	-4.7	-6.72	-2.02	11.28
2440.15	-4.7	-6.74	-2.04	11.26
2440.20	-4.7	-6.76	-2.06	11.24
2440.25	-4.7	-6.81	-2.11	11.19
2440.30	-4.7	-6.88	-2.18	11.12

2440.35	-4.7	-6.92	-2.22	11.08
2440.40	-4.7	-6.98	-2.28	11.02
2440.45	-4.7	-6.94	-2.24	11.06
2440.50	-4.7	-7.02	-2.32	10.98
2440.55	-4.7	-7.38	-2.68	10.62
2440.60	-4.7	-7.45	-2.75	10.55
2440.65	-4.7	-7.45	-2.75	10.55
2440.70	-4.7	-7.45	-2.75	10.55
2440.75	-4.7	-7.48	-2.78	10.52
2440.80	-4.7	-7.54	-2.84	10.46
2440.85	-4.7	-7.32	-2.62	10.68
2440.90	-4.7	-7.18	-2.48	10.82
2440.95	-4.7	-7.11	-2.41	10.89
2441.00	-4.7	-7.08	-2.38	10.92

Table 5 Processing Gain [Channel 6, BPSK, 2.43205GHz to 2.44205GHz]

Jammer Frequency (MHz)	Signal Level S (dBm)	Signal Generator RF Output J (dBm)	Mj (J/S)	Process Gain (dB)
2441.05	-4.7	-7.16	-2.46	10.84
2441.10	-4.7	-7.28	-2.58	10.72
2441.15	-4.7	-7.32	-2.58	10.72
2441.20	-4.7	-7.38	-2.62	10.68
2441.25	-4.7	-7.38	-2.68	10.62
2441.30	-4.7	-7.38	-2.68	10.62
2441.35	-4.7	-7.54	-2.68	10.62
2441.40	-4.7	-7.88	-2.84	10.46
2441.45	-4.7	-8.43	-3.18	10.12
2441.50	-4.7	-9.07	-3.73	9.57
2441.55	-4.7	-8.64	-4.37	8.93
2441.60	-4.7	-8.19	-3.94	9.36
2441.65	-4.7	-7.96	-3.49	9.81
2441.70	-4.7	-7.78	-3.26	10.04
2441.75	-4.7	-7.64	-3.08	10.22
2441.80	-4.7	-7.55	-2.85	10.45
2441.85	-4.7	-7.36	-2.66	10.64
2441.90	-4.7	-7.15	-2.45	10.85
2441.95	-4.7	-7.15	-2.45	10.85
2442.00	-4.7	-7.15	-2.45	10.85
2442.05	-4.7	-7.15	-2.45	10.85

Table 6 Processing Gain [Channel 11, BPSK, 2.45705GHz to 2.46705GHz]

Jammer Frequency (MHz)	Signal Level S (dBm)	Signal Generator RF Output J (dBm)	Mj (J/S)	Process Gain (dB)
2457.05	-4.7	-5.54	-0.84	12.46
2457.10	-4.7	-5.74	-1.04	12.26
2457.15	-4.7	-5.91	-1.04	12.26
2457.20	-4.7	-6.02	-1.21	12.09
2457.25	-4.7	-6.15	-1.32	11.98
2457.30	-4.7	-6.32	-1.45	11.85
2457.35	-4.7	-6.32	-1.62	11.68
2457.40	-4.7	-6.32	-1.62	11.68
2457.45	-4.7	-6.21	-1.62	11.68
2457.50	-4.7	-6.13	-1.51	11.79
2457.55	-4.7	-6.07	-1.43	11.87
2457.60	-4.7	-5.99	-1.37	11.93
2457.65	-4.7	-5.87	-1.29	12.01
2457.70	-4.7	-5.82	-1.17	12.13
2457.75	-4.7	-5.82	-1.12	12.18
2457.80	-4.7	-5.82	-1.12	12.18
2457.85	-4.7	-5.87	-1.17	12.13
2457.90	-4.7	-5.90	-1.20	12.10
2457.95	-4.7	-5.93	-1.23	12.07
2458.00	-4.7	-5.96	-1.26	12.04

2458.05	-4.7	-6.07	-1.37	11.93
2458.10	-4.7	-6.18	-1.48	11.82
2458.15	-4.7	-6.27	-1.57	11.73
2458.20	-4.7	-6.33	-1.63	11.67
2458.25	-4.7	-6.28	-1.58	11.72
2458.30	-4.7	-6.23	-1.53	11.77
2458.35	-4.7	-6.17	-1.47	11.83
2458.40	-4.7	-6.03	-1.33	11.97
2458.45	-4.7	-6.01	-1.31	11.99
2458.50	-4.7	-5.98	-1.28	12.02
2458.55	-4.7	-5.82	-1.12	12.18
2458.60	-4.7	-5.75	-1.05	12.25
2458.65	-4.7	-5.53	-0.83	12.47
2458.70	-4.7	-5.37	-0.67	12.63
2458.75	-4.7	-5.56	-0.86	12.44
2458.80	-4.7	-5.73	-1.03	12.27

Table 6 Processing Gain [Channel 11,BPSK, 2.45705GHz to 2.46705GHz]

Jammer Frequency (MHz)	Signal Level S (dBm)	Signal Generator RF Output J (dBm)	Mj (J/S)	Process Gain (dB)
2458.85	-4.7	-5.73	-1.03	12.27
2458.90	-4.7	-5.73	-1.03	12.27
2458.95	-4.7	-5.76	-1.03	12.27
2459.00	-4.7	-5.78	-1.06	12.24
2459.05	-4.7	-5.82	-1.08	12.22
2459.10	-4.7	-5.93	-1.12	12.18
2459.15	-4.7	-6.12	-1.23	12.07
2459.20	-4.7	-6.23	-1.42	11.88
2459.25	-4.7	-6.47	-1.53	11.77
2459.30	-4.7	-6.68	-1.77	11.53
2459.35	-4.7	-6.42	-1.98	11.32
2459.40	-4.7	-6.20	-1.72	11.58
2459.45	-4.7	-6.13	-1.50	11.80
2459.50	-4.7	-5.97	-1.43	11.87
2459.55	-4.7	-5.72	-1.27	12.03
2459.60	-4.7	-5.61	-0.91	12.39
2459.65	-4.7	-5.54	-0.84	12.46
2459.70	-4.7	-5.41	-0.71	12.59
2459.75	-4.7	-5.38	-0.68	12.62

2459.80	-4.7	-5.34	-0.64	12.66
2459.85	-4.7	-5.31	-0.61	12.69
2459.90	-4.7	-5.27	-0.57	12.73
2459.95	-4.7	-5.21	-0.51	12.79
2460.00	-4.7	-5.15	-0.45	12.85
2460.05	-4.7	-5.13	-0.43	12.87
2460.10	-4.7	-5.11	-0.41	12.89
2460.15	-4.7	-5.34	-0.64	12.66
2460.20	-4.7	-5.72	-1.02	12.28
2460.25	-4.7	-5.87	-1.17	12.13
2460.30	-4.7	-6.02	-1.32	11.98
2460.35	-4.7	-6.02	-1.32	11.98
2460.40	-4.7	-6.03	-1.33	11.97
2460.45	-4.7	-6.03	-1.33	11.97
2460.50	-4.7	-6.03	-1.33	11.97
2460.55	-4.7	-5.84	-1.14	12.16
2460.60	-4.7	-5.76	-1.06	12.24

Table 6 Processing Gain [Channel 11,BPSK, 2.45705GHz to 2.46705GHz]

Jammer Frequency (MHz)	Signal Level S (dBm)	Signal Generator RF Output J (dBm)	Mj (J/S)	Process Gain (dB)
2460.65	-4.7	-5.68	-0.98	12.32
2460.70	-4.7	-5.55	-0.85	12.45
2460.75	-4.7	-5.37	-0.85	12.45
2460.80	-4.7	-5.24	-0.67	12.63
2460.85	-4.7	-5.24	-0.54	12.76
2460.90	-4.7	-5.25	-0.54	12.76
2460.95	-4.7	-5.21	-0.55	12.75
2461.00	-4.7	-5.19	-0.51	12.79
2461.05	-4.7	-5.07	-0.49	12.81
2461.10	-4.7	-4.98	-0.37	12.93
2461.15	-4.7	-5.12	-0.28	13.02
2461.20	-4.7	-5.14	-0.42	12.88
2461.25	-4.7	-5.32	-0.44	12.86
2461.30	-4.7	-5.55	-0.62	12.68
2461.35	-4.7	-5.47	-0.85	12.45
2461.40	-4.7	-5.30	-0.60	12.70
2461.45	-4.7	-5.17	-0.47	12.83
2461.50	-4.7	-5.00	-0.30	13.00

2461.55	-4.7	-5.00	-0.30	13.00
2461.60	-4.7	-5.00	-0.30	13.00
2461.65	-4.7	-5.57	-0.87	12.43
2461.70	-4.7	-6.10	-1.40	11.90
2461.75	-4.7	-6.38	-1.68	11.62
2461.80	-4.7	-6.69	-1.99	11.31
2461.85	-4.7	-6.12	-1.42	11.88
2461.90	-4.7	-5.47	-0.77	12.53
2461.95	-4.7	-5.28	-0.58	12.72
2462.00	-4.7	-5.17	-0.47	12.83
2462.05	-4.7	-6.23	-1.53	11.77
2462.10	-4.7	-6.61	-1.91	11.39
2462.15	-4.7	-6.37	-1.67	11.63
2462.20	-4.7	-6.15	-1.45	11.85
2462.25	-4.7	-5.89	-1.19	12.11
2462.30	-4.7	-5.36	-0.66	12.64
2462.35	-4.7	-5.27	-0.57	12.73
2462.40	-4.7	-5.18	-0.48	12.82

Table 6 Processing Gain [Channel 11, BPSK, 2.45705GHz to 2.46705GHz]

Jammer Frequency (MHz)	Signal Level S (dBm)	Signal Generator RF Output J (dBm)	Mj (J/S)	Process Gain (dB)
2462.45	-4.7	-5.47	-0.77	12.53
2462.50	-4.7	-5.98	-1.28	12.02
2462.55	-4.7	-5.79	-1.28	12.02
2462.60	-4.7	-5.66	-1.09	12.21
2462.65	-4.7	-5.62	-0.96	12.34
2462.70	-4.7	-5.56	-0.92	12.38
2462.75	-4.7	-5.39	-0.86	12.44
2462.80	-4.7	-5.28	-0.69	12.61
2462.85	-4.7	-5.12	-0.58	12.72
2462.90	-4.7	-4.97	-0.42	12.88
2462.95	-4.7	-4.82	-0.27	13.03
2463.00	-4.7	-4.76	-0.12	13.18
2463.05	-4.7	-4.82	-0.06	13.24
2463.10	-4.7	-4.87	-0.12	13.18
2463.15	-4.7	-5.08	-0.17	13.13
2463.20	-4.7	-5.27	-0.57	12.73
2463.25	-4.7	-5.41	-0.71	12.59

2463.30	-4.7	-5.58	-0.88	12.42
2463.35	-4.7	-5.72	-1.02	12.28
2463.40	-4.7	-5.87	-1.17	12.13
2463.45	-4.7	-5.93	-1.23	12.07
2463.50	-4.7	-6.08	-1.38	11.92
2463.55	-4.7	-6.08	-1.38	11.92
2463.60	-4.7	-6.08	-1.38	11.92
2463.65	-4.7	-6.43	-1.73	11.57
2463.70	-4.7	-6.00	-1.73	11.57
2463.75	-4.7	-5.82	-1.30	12.00
2463.80	-4.7	-5.70	-1.12	12.18
2463.85	-4.7	-5.53	-1.00	12.30
2463.90	-4.7	-5.29	-0.83	12.47
2463.95	-4.7	-5.21	-0.51	12.79
2464.00	-4.7	-5.16	-0.46	12.84
2464.05	-4.7	-5.12	-0.42	12.88
2464.10	-4.7	-5.09	-0.39	12.91
2464.15	-4.7	-5.03	-0.33	12.97
2464.20	-4.7	-4.99	-0.29	13.01

Table 6 Processing Gain [Channel 11, BPSK, 2.45705GHz to 2.46705GHz]

Jammer Frequency (MHz)	Signal Level S (dBm)	Signal Generator RF Output J (dBm)	Mj (J/S)	Process Gain (dB)
2464.25	-4.7	-5.12	-0.42	12.88
2464.30	-4.7	-5.16	-0.46	12.84
2464.35	-4.7	-5.23	-0.46	12.84
2464.40	-4.7	-5.27	-0.53	12.77
2464.45	-4.7	-5.41	-0.57	12.73
2464.50	-4.7	-5.57	-0.71	12.59
2464.55	-4.7	-5.69	-0.87	12.43
2464.60	-4.7	-5.87	-0.99	12.31
2464.65	-4.7	-5.82	-1.17	12.13
2464.70	-4.7	-5.80	-1.12	12.18
2464.75	-4.7	-5.80	-1.10	12.20
2464.80	-4.7	-5.80	-1.10	12.20
2464.85	-4.7	-5.72	-1.10	12.20
2464.90	-4.7	-5.60	-1.02	12.28
2464.95	-4.7	-5.60	-0.90	12.40
2465.00	-4.7	-5.60	-0.90	12.40

2465.05	-4.7	-5.57	-0.87	12.43
2465.10	-4.7	-5.53	-0.83	12.47
2465.15	-4.7	-5.51	-0.81	12.49
2465.20	-4.7	-5.48	-0.78	12.52
2465.25	-4.7	-5.52	-0.82	12.48
2465.30	-4.7	-5.54	-0.84	12.46
2465.35	-4.7	-5.68	-0.98	12.32
2465.40	-4.7	-5.77	-1.07	12.23
2465.45	-4.7	-5.78	-1.08	12.22
2465.50	-4.7	-5.79	-1.08	12.22
2465.55	-4.7	-6.08	-1.09	12.21
2465.60	-4.7	-6.20	-1.38	11.92
2465.65	-4.7	-6.20	-1.50	11.80
2465.70	-4.7	-6.20	-1.50	11.80
2465.75	-4.7	-6.17	-1.47	11.83
2465.80	-4.7	-6.14	-1.44	11.86
2465.85	-4.7	-5.78	-1.08	12.22
2465.90	-4.7	-5.59	-0.89	12.41
2465.95	-4.7	-5.54	-0.84	12.46
2466.00	-4.7	-5.51	-0.81	12.49

Table 6 Processing Gain [Channel 11, BPSK, 2.45705GHz to 2.46705GHz]

Jammer Frequency (MHz)	Signal Level S (dBm)	Signal Generator RF Output J (dBm)	Mj (J/S)	Process Gain (dB)
2466.05	-4.7	-5.53	-0.83	12.47
2466.10	-4.7	-5.56	-0.86	12.44
2466.15	-4.7	-5.56	-0.86	12.44
2466.20	-4.7	-5.56	-0.86	12.44
2466.25	-4.7	-5.61	-0.86	12.44
2466.30	-4.7	-5.66	-0.91	12.39
2466.35	-4.7	-5.66	-0.96	12.34
2466.40	-4.7	-5.66	-0.96	12.34
2466.45	-4.7	-5.72	-0.96	12.34
2466.50	-4.7	-5.77	-1.02	12.28
2466.55	-4.7	-5.84	-1.07	12.23
2466.60	-4.7	-5.97	-1.14	12.16
2466.65	-4.7	-5.97	-1.27	12.03
2466.70	-4.7	-5.97	-1.27	12.03
2466.75	-4.7	-5.82	-1.27	12.03

