

3		2		1	
Rev	Zone	Description	ENG	Approved	Date

A	UNLESS OTHERWISE SPECIFIED TOLERANCES ON: X ± 1 XX ± 0.5 XXX ± 0.25 ANG. $\pm 2.0'$	DRAWN BY: HUA	MATERIAL:	TITLE : 241 Swivel Antenna Assembly	A
	THIRD ANGLE PROJECTION	DESIGNED BY:	FINISH:	DRAW No:	
	APPROVED BY:	CHECKED BY:	SCALE: 1/1 UNIT:mm	PART No: TWX-241XRSXX-361	
	THIS DRAWING CONTAINS INFORMATION THAT IS PROPRIETARY TO JOYMAX AND SHOULD NOT BE USED WITHOUT WRITTEN PERMISSION.		DATE :	REV : 00	

Model. TWX-241XRSXX

Antenna Specifications

Description 1)The antenna is a swivel and 1/4 dual band antenna.
It's useful for the ISM Band of 2.4~2.5GHz & 5.15~5.85GHz.

Electrical Properties	1) Frequency Range	2.4~5.8GHz	
	2) Impedance	50ohm nominal	
	3) V.S.W.R.	2.0	
	4) Gain	2.4GHz	2dBi
		5.0GHz	1.5dBi
	5) Polarization	Vertical	
	6) Admitted Power	1W	
7) Electrical Wavelength	1/4 Dipole		

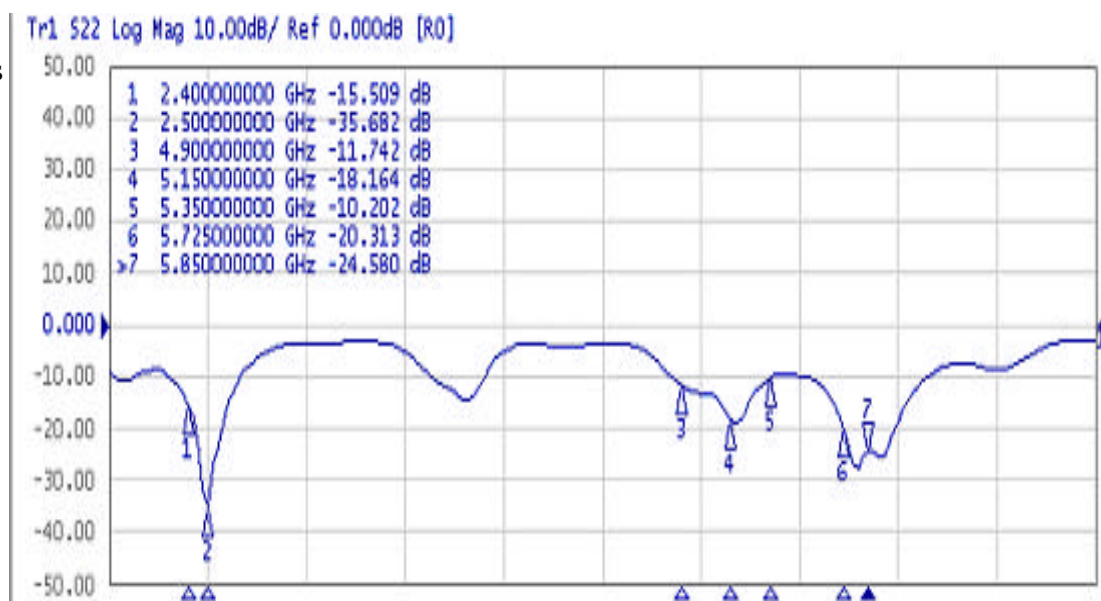
Mechanical Properties	1) Connector	Reverse SMA Plug
	2) Antenna Cover	Polyurethane
	Antenna Base	Polycarbonate
	3) Rotating Test	1.2Kg . cm, After 2000 cycles with the rate of 30cycles/minute(max.). It shall be possible to remain its position.
4) Adhesive Strength	5.0kgf(at 30minutes)	

Model. TWX-241XRSXX

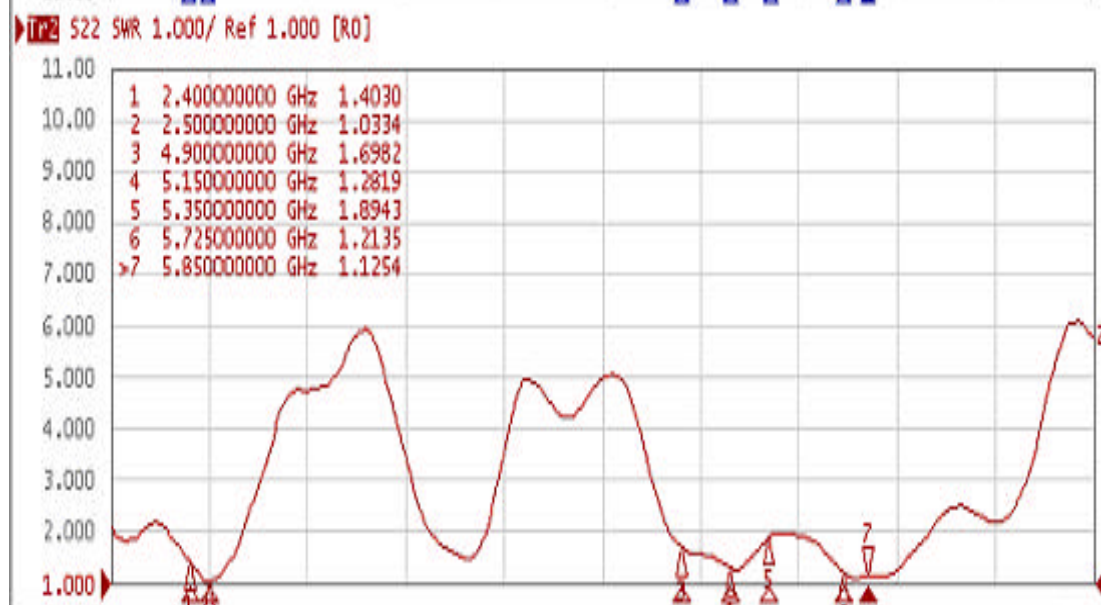
Test Report

Electrical Test

Return loss

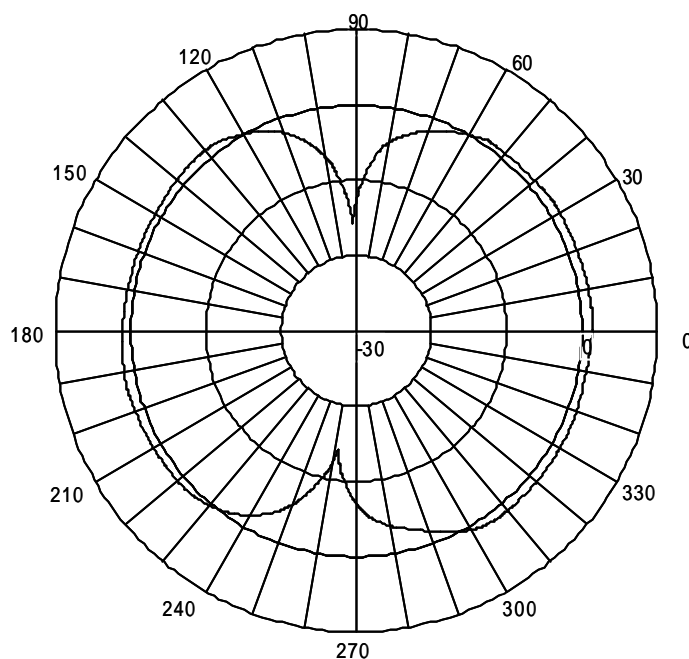


V.S.W.R.



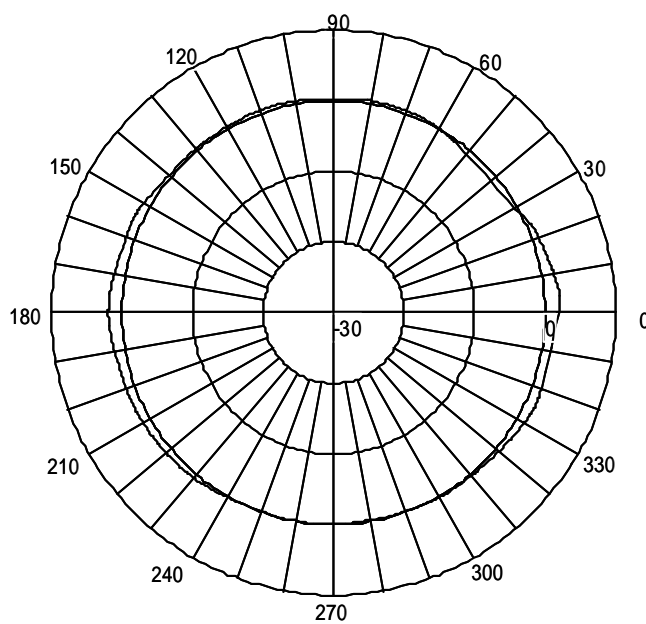
E-PlaneFieldPatterns

Frequency:2.45GHz



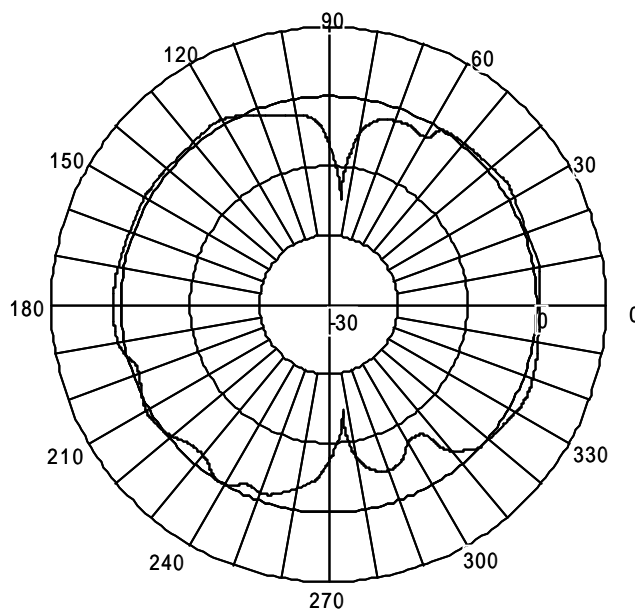
H-PlaneFieldPatterns

Frequency:2.45GHz



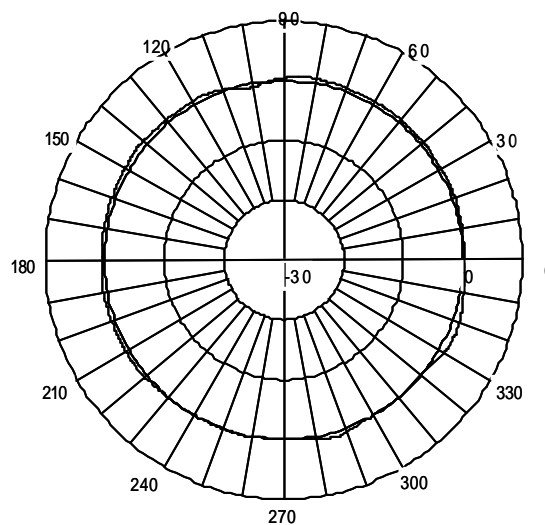
E-PlaneFieldPatterns

Frequency:5.25GHz



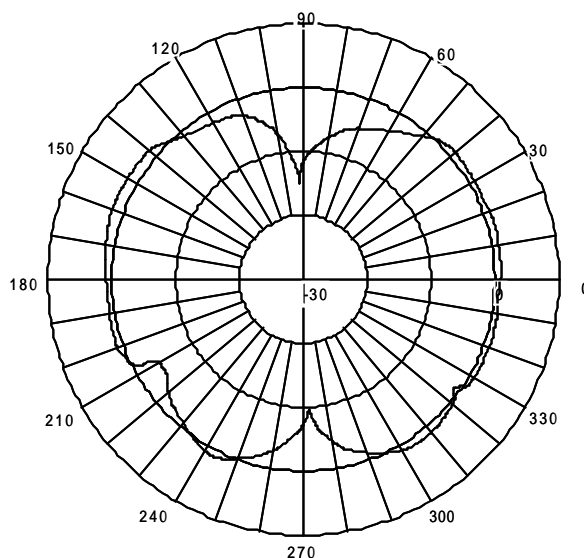
H-PlaneFieldPatterns

Frequency:5.25GHz



E-PlaneFieldPatterns

Frequency:5.75GHz



H-PlaneFieldPatterns

Frequency:5.75GHz

