

GP ANT  
**EVERTIME ENTERPRISE CO., LTD.**

NO 23-2, HUNGMAU., SHING-FENG VILLAGE,  
 SHING-FENG SHIANGHSIN-CHU, TAIWAN, R.O.C.

TEL: +886-3-5687918

FAX: +886-3-5686953

E-mail: epbv4nl@ms15.hinet.net

<http://www.ep.com.tw>



## SPECIFICATION FOR APPROVAL

### ELECTRICAL SPECIFICATIONS (USING HP8753ET NETWORK ANALYZER)

ANTENNA TYPE	<i>GP ANTENNA</i>
MODEL NO.	<i>1GP-24001</i>
FREQUENCY	<i>2.45 GHz</i>
V.S.W.R.	<i>≤ 2.0 (RESONANT POINT)</i>
IMPEDANCE	<i>50 OHMS ± 5Ω</i>
GAIN	<i>6 dBi</i>
WITHSTANDING POWER	<i>MAX 50 W</i>
WEIGT	<i>APPROX 200g ± 10g</i>
LENGTH	<i>415 m/m ± 5</i>

### MECHANICAL SPECIFICATION

APPEARANCE	
CONNECTOR TYPE	<i>N TYPE FEMALE REVERSR</i>
REMARK	

APPROVAL: \_\_\_\_\_

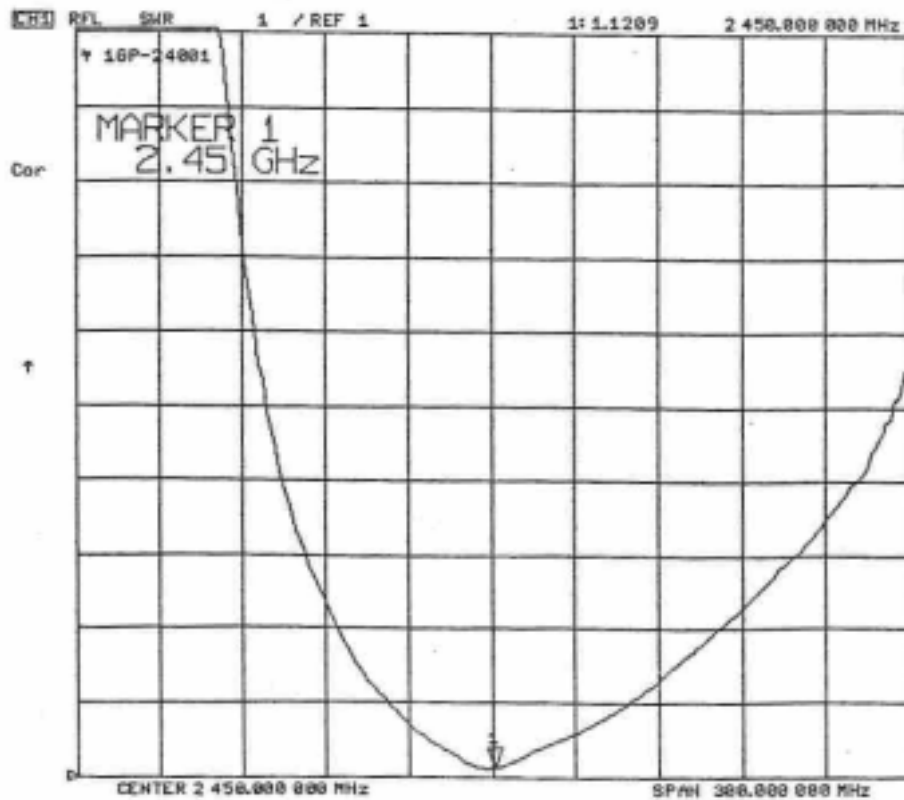
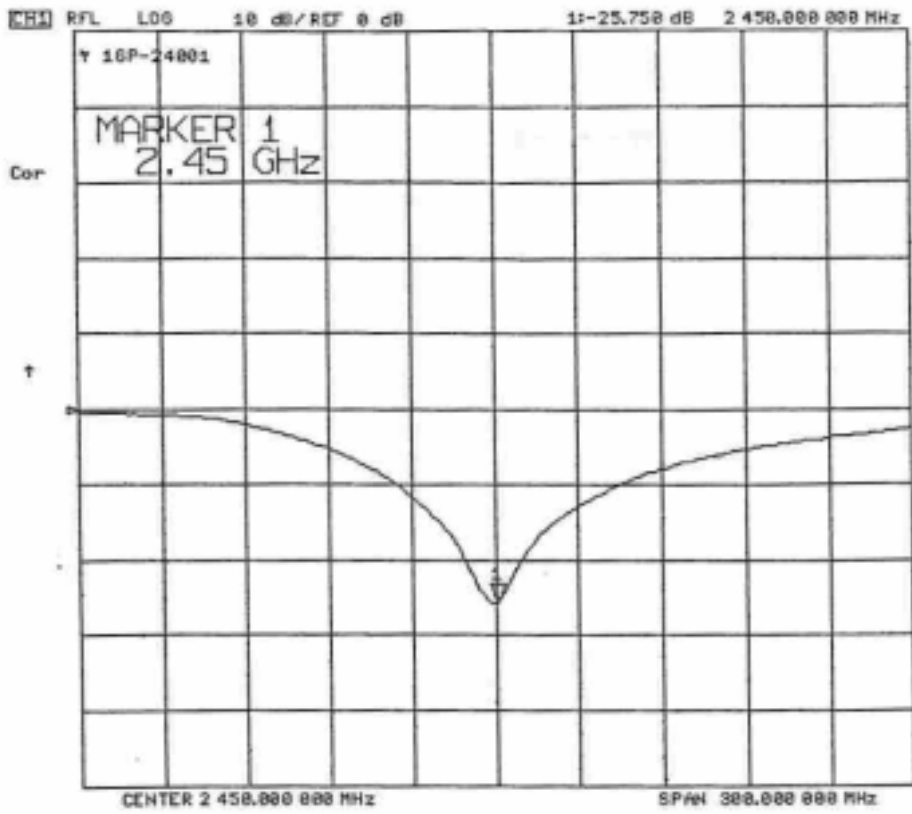


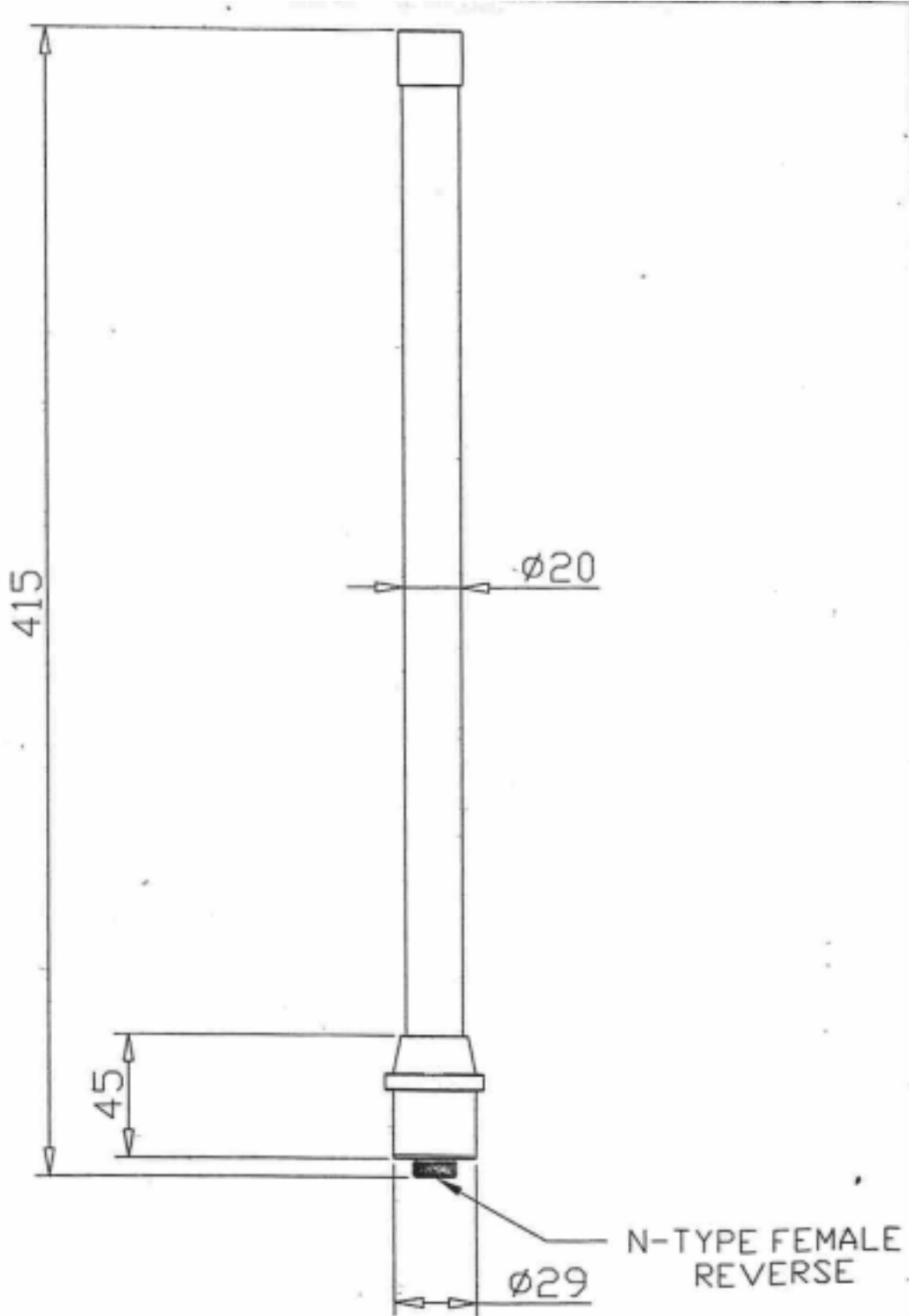
CHECK: \_\_\_\_\_



DWG: \_\_\_\_\_







久松科技企业有限公司 EVERTIME ENTERPRISE CO.,LTD				
NAME		MODE NO	MATERIAL	TREATMENT
GP 外觀圖		IGP-24001		白
DRAWN	TOM	TOLERANCE		REV--
DESIGNED	TOM	DIM	ANGLE	SCALE
APPROVED		$\pm 5$	$\pm 5$	DATE
				20020618