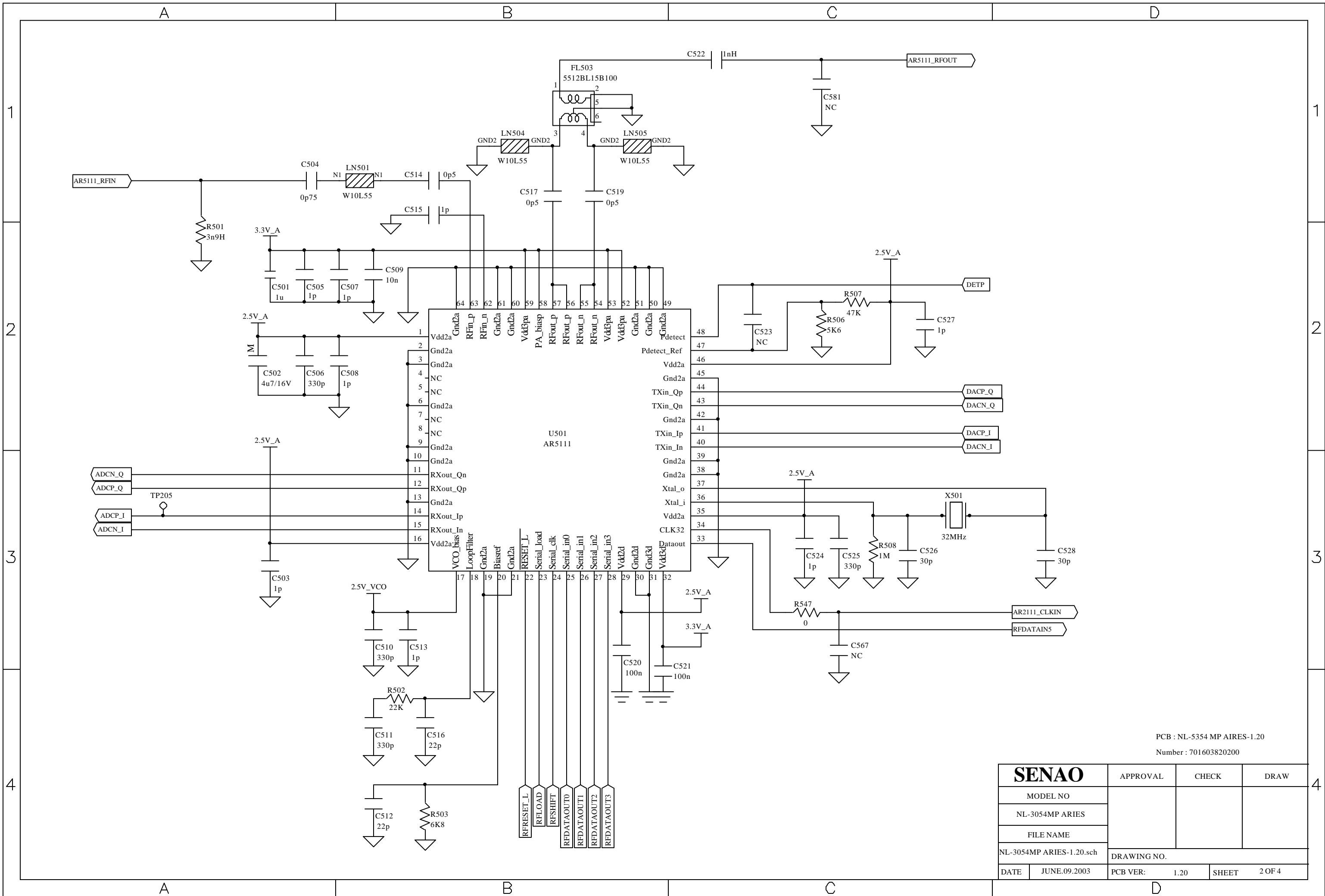


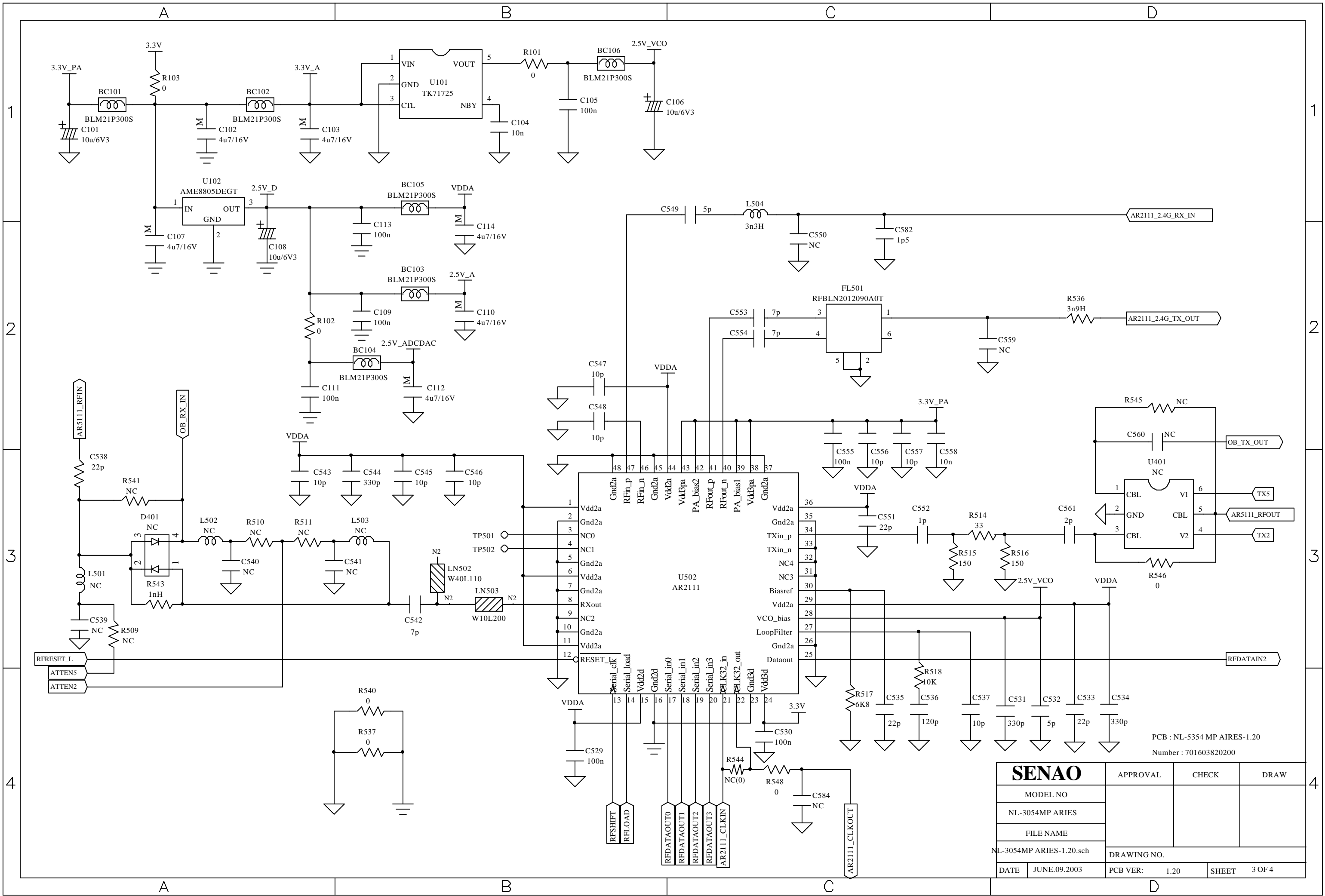
PCB : NL-5354 MP AIRES-1.20
 Number : 701603820200

SENAO		APPROVAL	CHECK	DRAW
MODEL NO	NL-3054MP AIRES			
FILE NAME	NL-3054MP AIRES-1.20.sch			
DATE	JUNE.09.2003	PCB VER: 1.20	DRAWING NO.	SHEET 1 OF 4



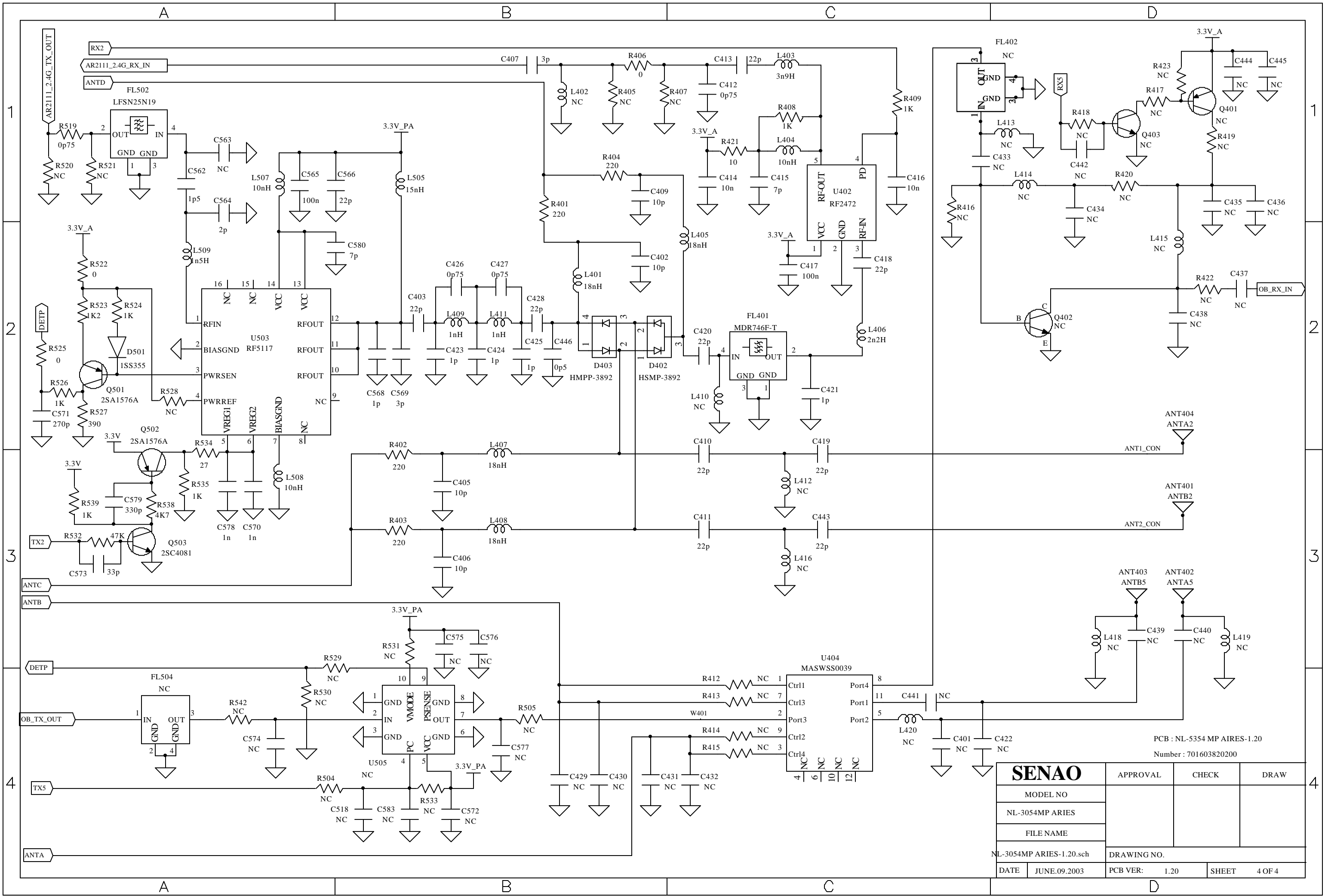
PCB : NL-5354 MP AIRES-1.20
 Number : 701603820200

SENAO		APPROVAL	CHECK	DRAW
		MODEL NO		
NL-3054MP ARIES				
FILE NAME				
NL-3054MP ARIES-1.20.sch		DRAWING NO.		
DATE	JUNE.09.2003	PCB VER:	1.20	SHEET 2 OF 4



PCB : NL-5354 MP AIRES-1.20
 Number : 701603820200

SENAO		APPROVAL	CHECK	DRAW
		MODEL NO		
NL-3054MP ARIES				
FILE NAME		DRAWING NO.		
NL-3054MP ARIES-1.20.sch				
DATE	JUNE.09.2003	PCB VER:	1.20	SHEET 3 OF 4



PCB : NL-5354 MP AIRES-1.20
 Number : 701603820200

SENAO		APPROVAL	CHECK	DRAW
		MODEL NO		
NL-3054MP ARIES				
FILE NAME				
NL-3054MP ARIES-1.20.sch		DRAWING NO.		
DATE	JUNE.09.2003	PCB VER:	1.20	SHEET 4 OF 4