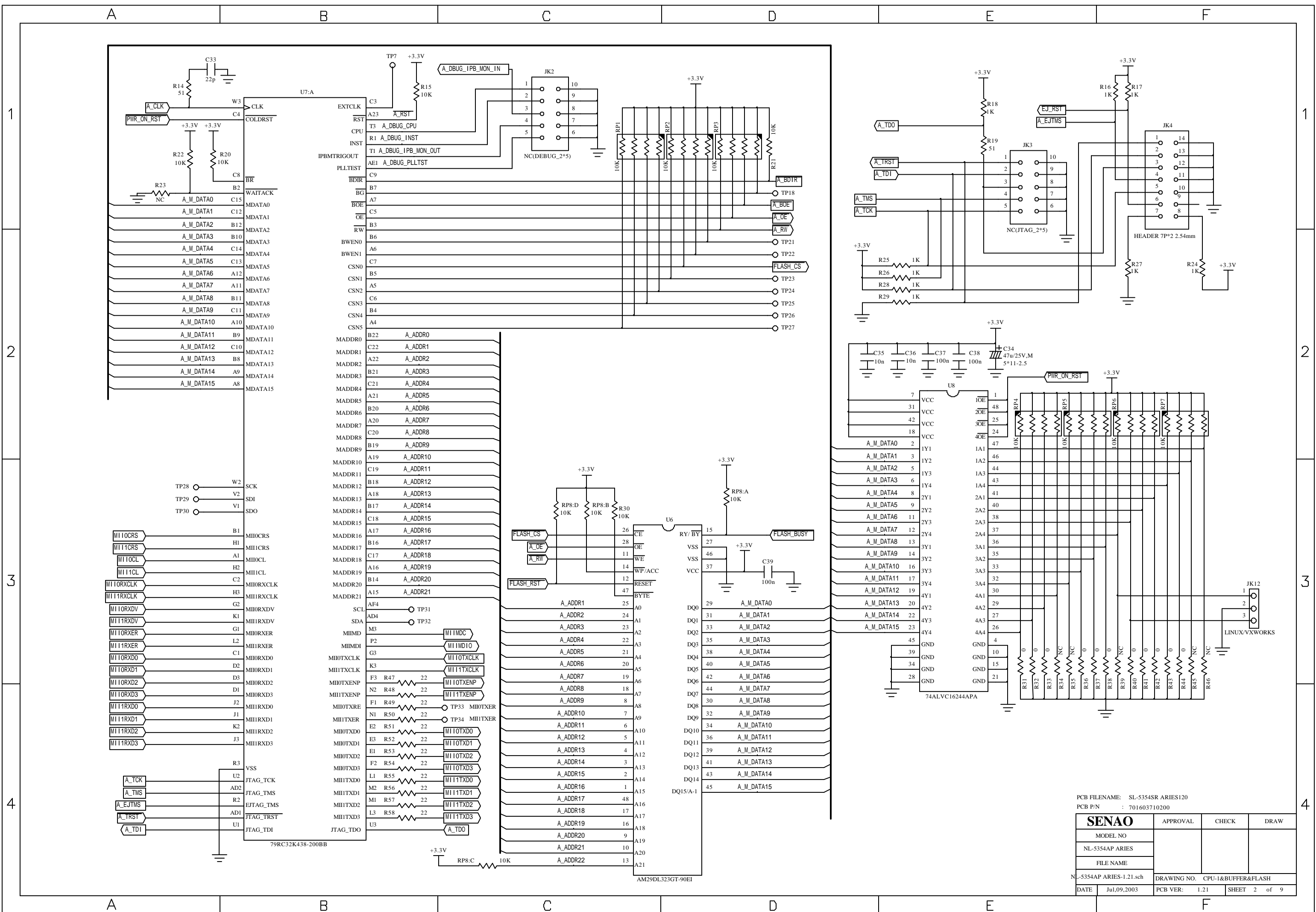


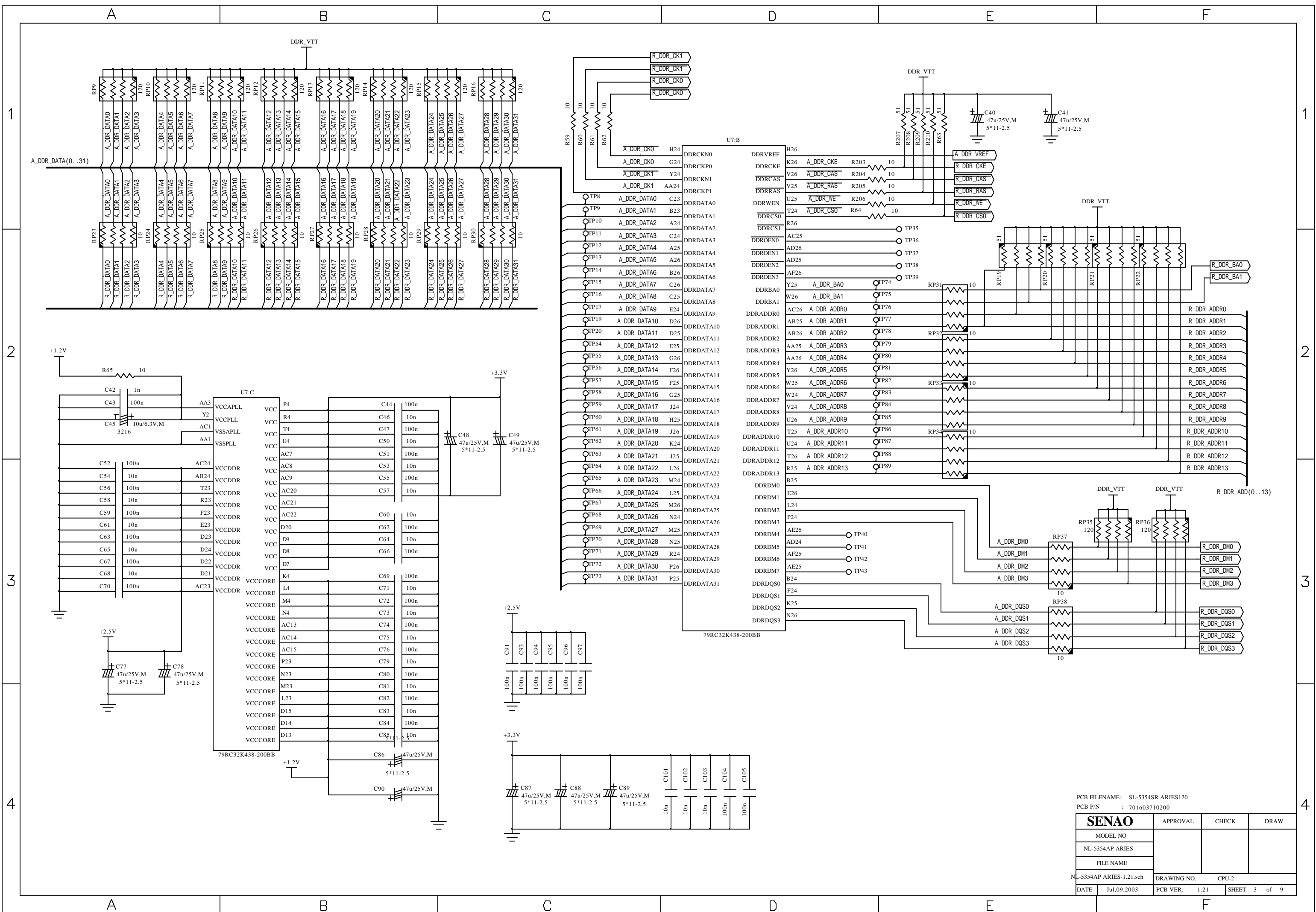
PCB FILENAME: SL-5354SR ARIES120  
 PCB P/N : 701603710200

SENAO		APPROVAL	CHECK	DRAW
MODEL NO				
NL-5354AP ARIES				
FILE NAME				
NL-5354AP ARIES-1.21.sch		DRAWING NO.		POWER
DATE	Jul,09,2003	PCB VER:	1.21	SHEET 1 of 9



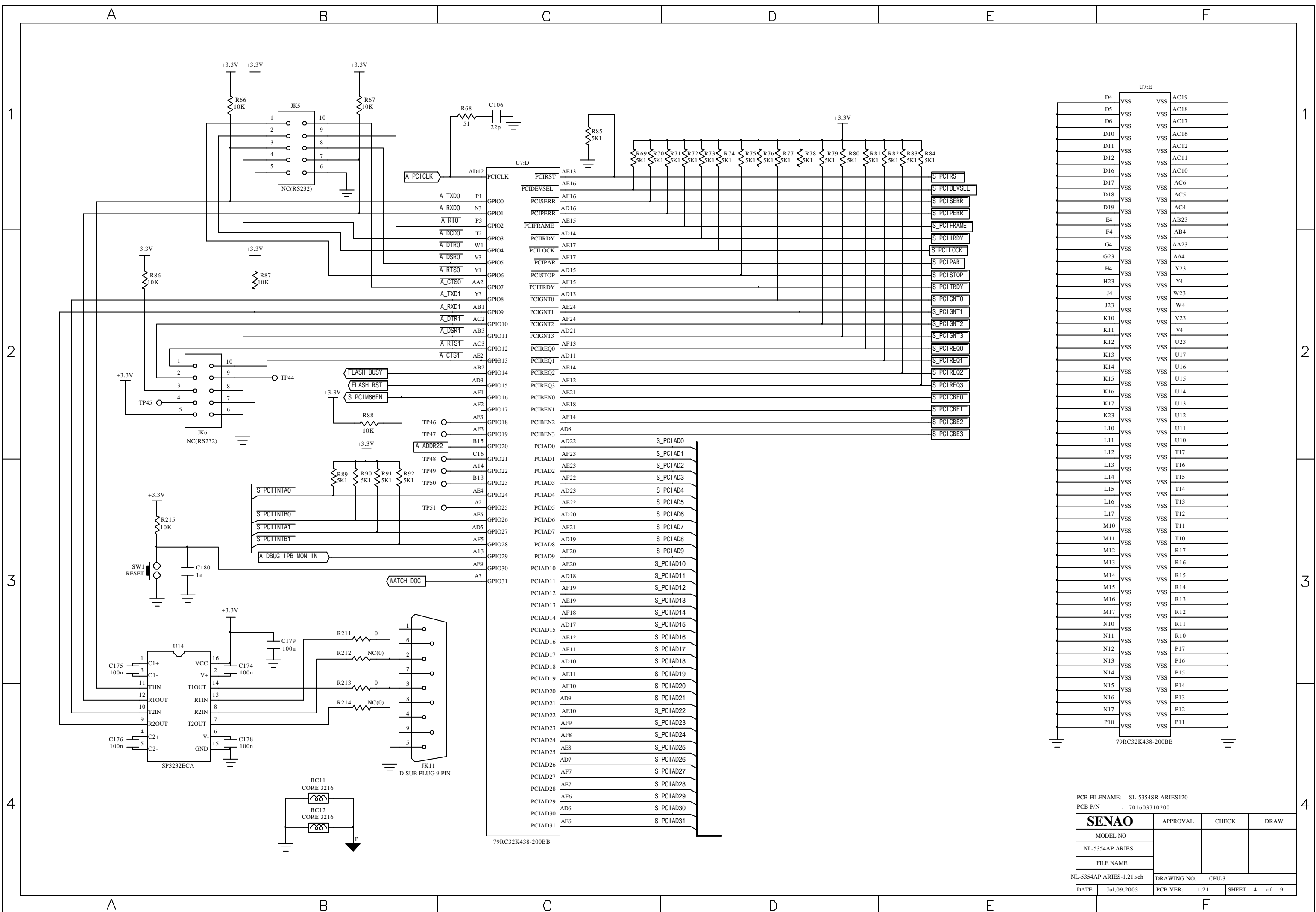
PCB FILENAME: SL-5354SR ARIES120  
 PCB P/N : 701603710200

SENAO			
APPROVAL	CHECK	DRAW	
MODEL NO NL-5354AP ARIES			
FILE NAME NL-5354AP ARIES-1.21.sch			
DRAWING NO. CPU-1&BUFFER&FLASH		DATE	
1.21		Jul,09,2003	
PCB VER:		SHEET 2 of 9	



PCB FILENAME: SL-5354SR ARIES120  
 PCB P/N : 701603710200

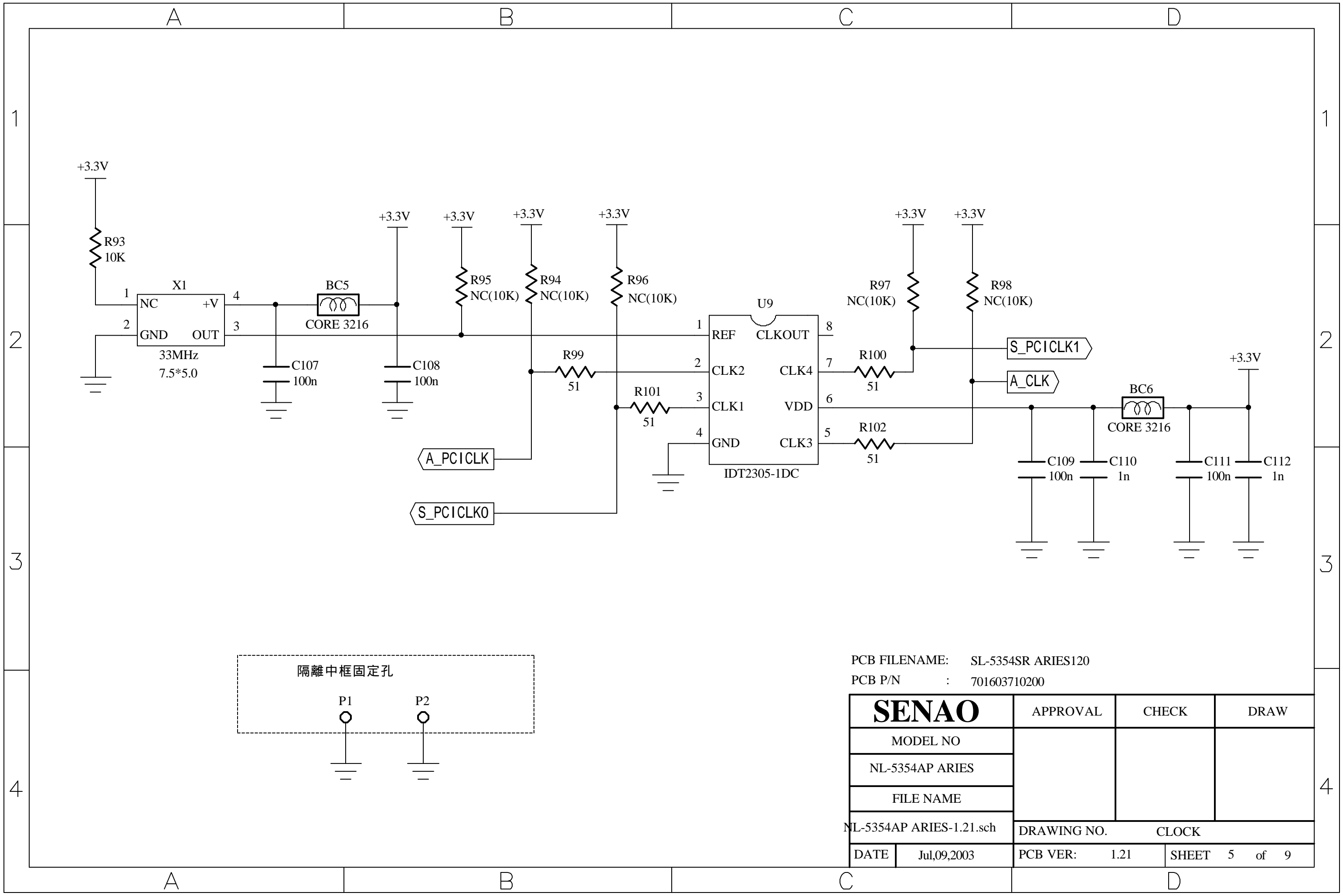
SENAO		APPROVAL	CHECK	DRAW
MODEL NO				
NL-5354AP ARIES				
FILE NAME				
NL-5354AP ARIES-1.21.sch		DRAWING NO.		CPU-2
DATE	Jul,09,2003	PCB VER:	1.21	SHEET 3 of 9



U7:D		U7:E	
AD12	PCICLK	D4	VSS
AE13	PCIRST	D5	VSS
AE16	PCIDEVSEL	D6	VSS
AF16	PCISERR	D10	VSS
AD16	PCIPERR	D11	VSS
AE15	PCIFRAME	D12	VSS
AD14	PCIRDY	D16	VSS
AE17	PCILOCK	D17	VSS
AF17	PCIPAR	D18	VSS
AD15	PCISTOP	D19	VSS
AF15	PCITRDY	E4	VSS
AD13	PCIGNT0	F4	VSS
AE24	PCIGNT1	G4	VSS
AF24	PCIGNT2	G23	VSS
AD21	PCIGNT3	H4	VSS
AF13	PCIREQ0	H23	VSS
AD11	PCIREQ1	J4	VSS
AE14	PCIREQ2	J23	VSS
AF12	PCIREQ3	K10	VSS
AE21	PCIBEN0	K11	VSS
AE18	PCIBEN1	K12	VSS
AF14	PCIBEN2	K13	VSS
AD8	PCIBEN3	K14	VSS
AD22	S_PCIA00	K15	VSS
AF23	S_PCIA01	K16	VSS
AE23	S_PCIA02	K17	VSS
AF22	S_PCIA03	K23	VSS
AD23	S_PCIA04	L10	VSS
AE22	S_PCIA05	L11	VSS
AD20	S_PCIA06	L12	VSS
AF21	S_PCIA07	L13	VSS
AD19	S_PCIA08	L14	VSS
AF20	S_PCIA09	L15	VSS
AE20	S_PCIA10	L16	VSS
AD18	S_PCIA11	L17	VSS
AF19	S_PCIA12	M10	VSS
AE19	S_PCIA13	M11	VSS
AF18	S_PCIA14	M12	VSS
AD17	S_PCIA15	M13	VSS
AE12	S_PCIA16	M14	VSS
AF11	S_PCIA17	M15	VSS
AD10	S_PCIA18	M16	VSS
AE11	S_PCIA19	M17	VSS
AF10	S_PCIA20	N10	VSS
AD9	S_PCIA21	N11	VSS
AE10	S_PCIA22	N12	VSS
AF9	S_PCIA23	N13	VSS
AD8	S_PCIA24	N14	VSS
AE8	S_PCIA25	N15	VSS
AD7	S_PCIA26	N16	VSS
AF7	S_PCIA27	N17	VSS
AE7	S_PCIA28	P10	VSS
AF6	S_PCIA29	P11	VSS
AD6	S_PCIA30		
AE6	S_PCIA31		

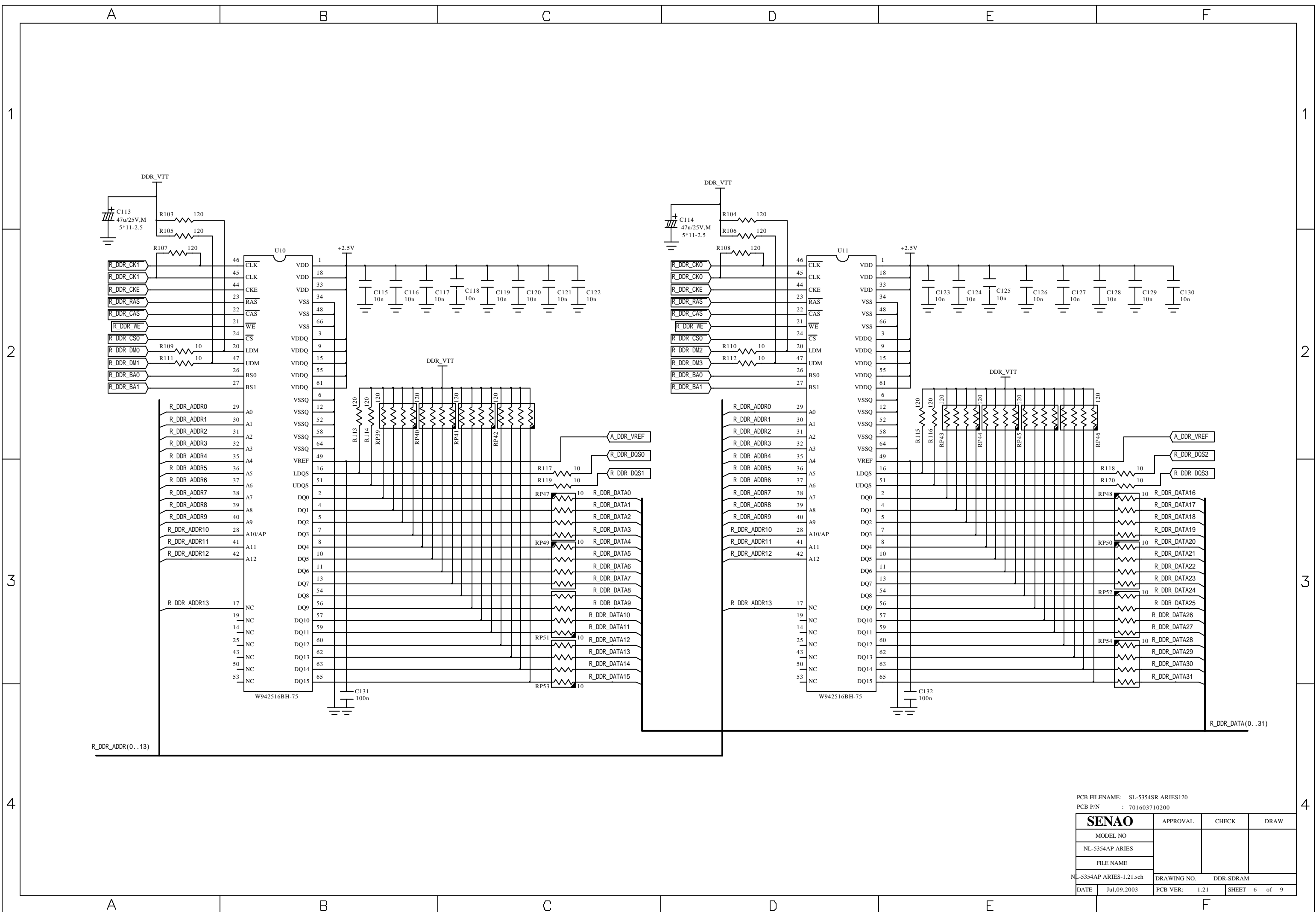
PCB FILENAME: SL-5354SR ARIES120  
PCB P/N : 701603710200

SENAO		APPROVAL	CHECK	DRAW
MODEL NO				
NL-5354AP ARIES				
FILE NAME				
NL-5354AP ARIES-1.21.sch	DRAWING NO.	CPU-3		
DATE	Jul09,2003	PCB VER:	1.21	SHEET 4 of 9



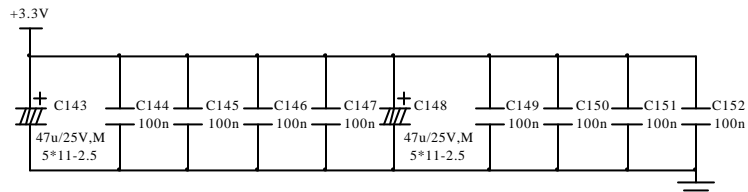
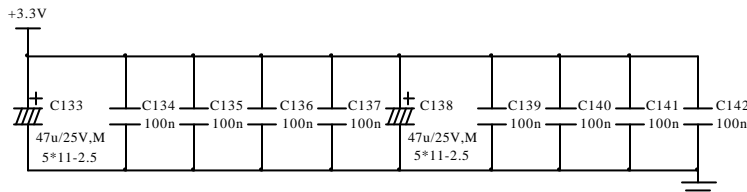
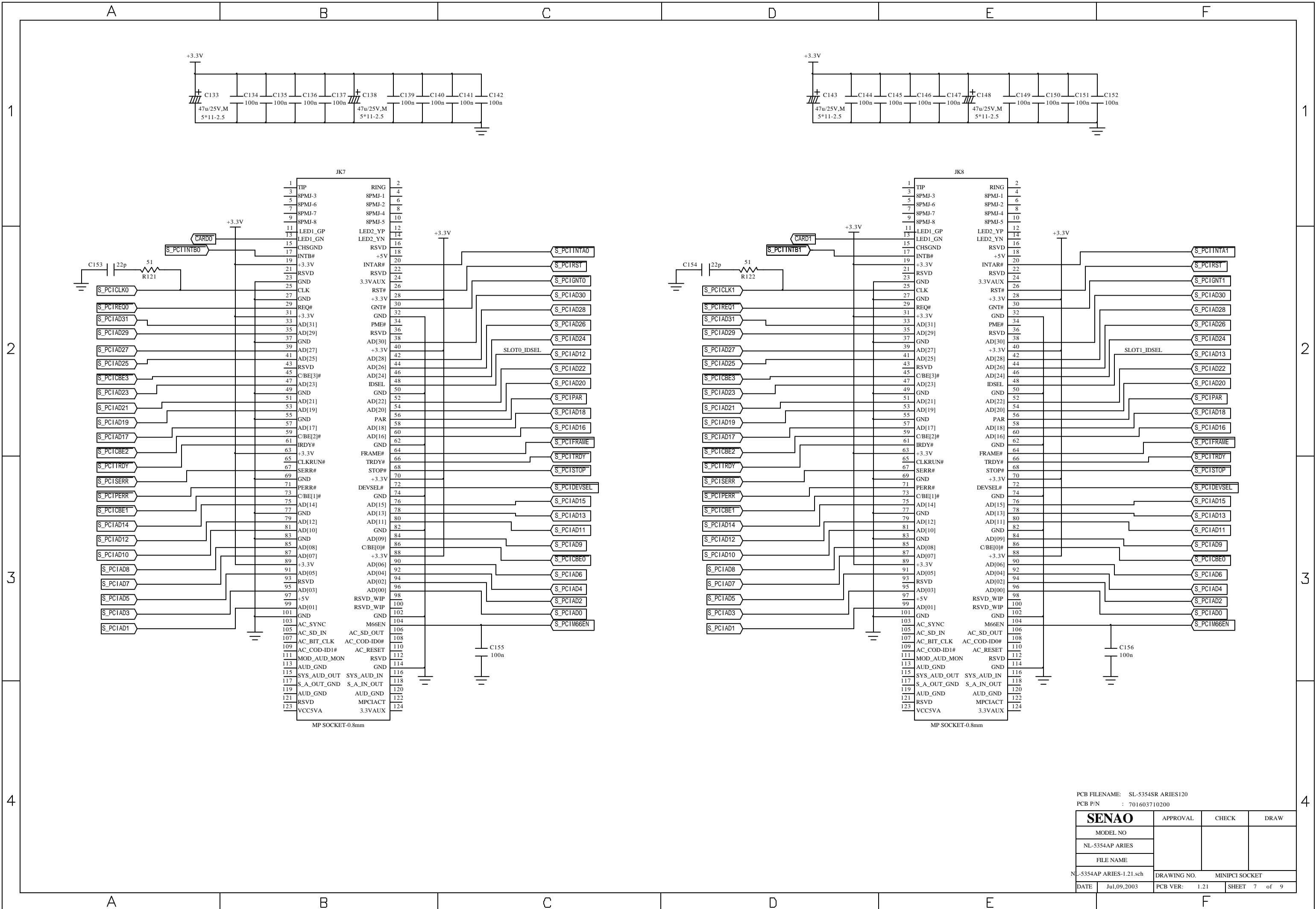
PCB FILENAME: SL-5354SR ARIES120  
 PCB P/N : 701603710200

<b>SENAO</b>		APPROVAL	CHECK	DRAW
		MODEL NO		
NL-5354AP ARIES				
FILE NAME				
NL-5354AP ARIES-1.21.sch		DRAWING NO.		CLOCK
DATE	Jul,09,2003	PCB VER:	1.21	SHEET 5 of 9



PCB FILENAME: SL-5354SR ARIES120  
 PCB P/N : 701603710200

SENAO			
APPROVAL	CHECK	DRAW	
MODEL NO			
NL-5354AP ARIES			
FILE NAME			
NL-5354AP ARIES-1.21.sch	DRAWING NO.	DDR-SDRAM	
DATE	Jul,09,2003	PCB VER:	1.21
		SHEET	6 of 9



JK7

1	TIP	2	RING
3	8PMJ-3	4	8PMJ-1
5	8PMJ-6	6	8PMJ-2
7	8PMJ-7	8	8PMJ-4
9	8PMJ-8	10	8PMJ-5
11	LED1_GP	12	LED2_YN
13	LED1_GN	14	LED2_YN
15	CHSGND	16	RSVD
17	INTB#	18	+5V
19	+3.3V	20	INTAR#
21	RSVD	22	RSVD
23	GND	24	3.3VAUX
25	CLK	26	RST#
27	GND	28	+3.3V
29	REQ#	30	GNT#
31	+3.3V	32	GND
33	AD[31]	34	PME#
35	AD[29]	36	RSVD
37	GND	38	AD[30]
39	AD[27]	40	+3.3V
41	AD[25]	42	AD[28]
43	RSVD	44	AD[28]
45	C/BE[3]#	46	AD[26]
47	AD[23]	48	IDSEL
49	GND	50	GND
51	AD[21]	52	AD[22]
53	AD[19]	54	AD[20]
55	GND	56	PAR
57	AD[17]	58	AD[18]
59	C/BE[2]#	60	AD[16]
61	IRDY#	62	GND
63	+3.3V	64	FRAME#
65	CLKRUN#	66	TRDY#
67	SERR#	68	STOP#
69	GND	70	+3.3V
71	PERR#	72	DEVSEL#
73	C/BE[1]#	74	GND
75	AD[14]	76	AD[15]
77	GND	78	AD[13]
79	AD[12]	80	AD[11]
81	AD[10]	82	GND
83	GND	84	AD[09]
85	AD[08]	86	C/BE[0]#
87	AD[07]	88	+3.3V
89	+3.3V	90	AD[06]
91	AD[05]	92	AD[04]
93	RSVD	94	AD[02]
95	AD[03]	96	AD[00]
97	+5V	98	RSVD_WIP
99	AD[01]	100	RSVD_WIP
101	GND	102	GND
103	AC_SYNC	104	M66EN
105	AC_SD_IN	106	AC_SD_OUT
107	AC_BIT_CLK	108	AC_COD-ID0#
109	AC_COD-ID1#	110	AC_RESET
111	MOD_AUD_MON	112	RSVD
113	AUD_GND	114	GND
115	SYS_AUD_OUT	116	SYS_AUD_IN
117	S_A_OUT_GND	118	S_A_IN_OUT
119	AUD_GND	120	AUD_GND
121	RSVD	122	MPCIACT
123	VCC5VA	124	3.3VAUX

MP SOCKET-0.8mm

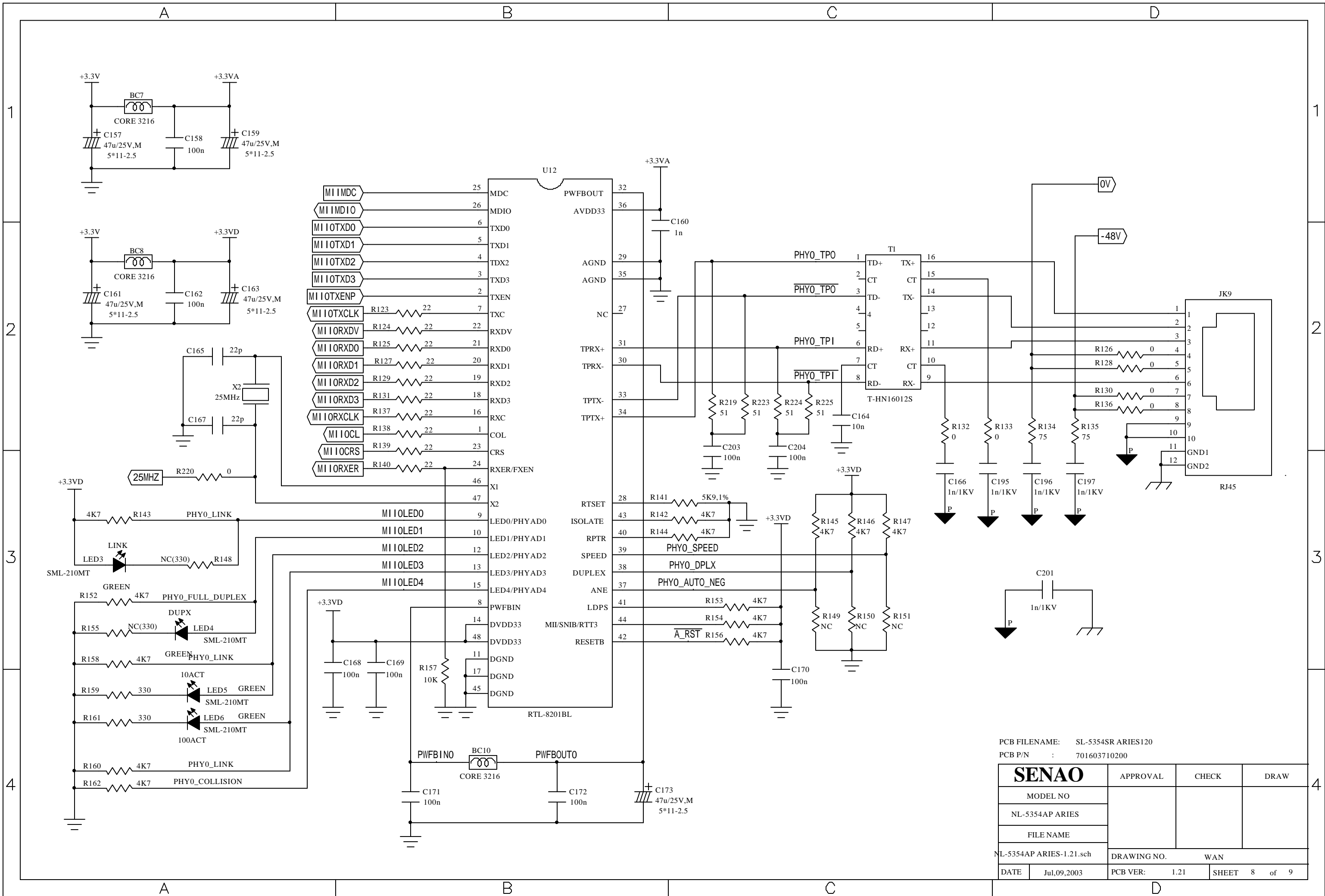
JK8

1	TIP	2	RING
3	8PMJ-3	4	8PMJ-1
5	8PMJ-6	6	8PMJ-2
7	8PMJ-7	8	8PMJ-4
9	8PMJ-8	10	8PMJ-5
11	LED1_GP	12	LED2_YN
13	LED1_GN	14	LED2_YN
15	CHSGND	16	RSVD
17	INTB#	18	+5V
19	+3.3V	20	INTAR#
21	RSVD	22	RSVD
23	GND	24	3.3VAUX
25	CLK	26	RST#
27	GND	28	+3.3V
29	REQ#	30	GNT#
31	+3.3V	32	GND
33	AD[31]	34	PME#
35	AD[29]	36	RSVD
37	GND	38	AD[30]
39	AD[27]	40	+3.3V
41	AD[25]	42	AD[28]
43	RSVD	44	AD[28]
45	C/BE[3]#	46	AD[26]
47	AD[23]	48	IDSEL
49	GND	50	GND
51	AD[21]	52	AD[22]
53	AD[19]	54	AD[20]
55	GND	56	PAR
57	AD[17]	58	AD[18]
59	C/BE[2]#	60	AD[16]
61	IRDY#	62	GND
63	+3.3V	64	FRAME#
65	CLKRUN#	66	TRDY#
67	SERR#	68	STOP#
69	GND	70	+3.3V
71	PERR#	72	DEVSEL#
73	C/BE[1]#	74	GND
75	AD[14]	76	AD[15]
77	GND	78	AD[13]
79	AD[12]	80	AD[11]
81	AD[10]	82	GND
83	GND	84	AD[09]
85	AD[08]	86	C/BE[0]#
87	AD[07]	88	+3.3V
89	+3.3V	90	AD[06]
91	AD[05]	92	AD[04]
93	RSVD	94	AD[02]
95	AD[03]	96	AD[00]
97	+5V	98	RSVD_WIP
99	AD[01]	100	RSVD_WIP
101	GND	102	GND
103	AC_SYNC	104	M66EN
105	AC_SD_IN	106	AC_SD_OUT
107	AC_BIT_CLK	108	AC_COD-ID0#
109	AC_COD-ID1#	110	AC_RESET
111	MOD_AUD_MON	112	RSVD
113	AUD_GND	114	GND
115	SYS_AUD_OUT	116	SYS_AUD_IN
117	S_A_OUT_GND	118	S_A_IN_OUT
119	AUD_GND	120	AUD_GND
121	RSVD	122	MPCIACT
123	VCC5VA	124	3.3VAUX

MP SOCKET-0.8mm

PCB FILENAME: SL-5354SR ARIES120  
PCB P/N : 701603710200

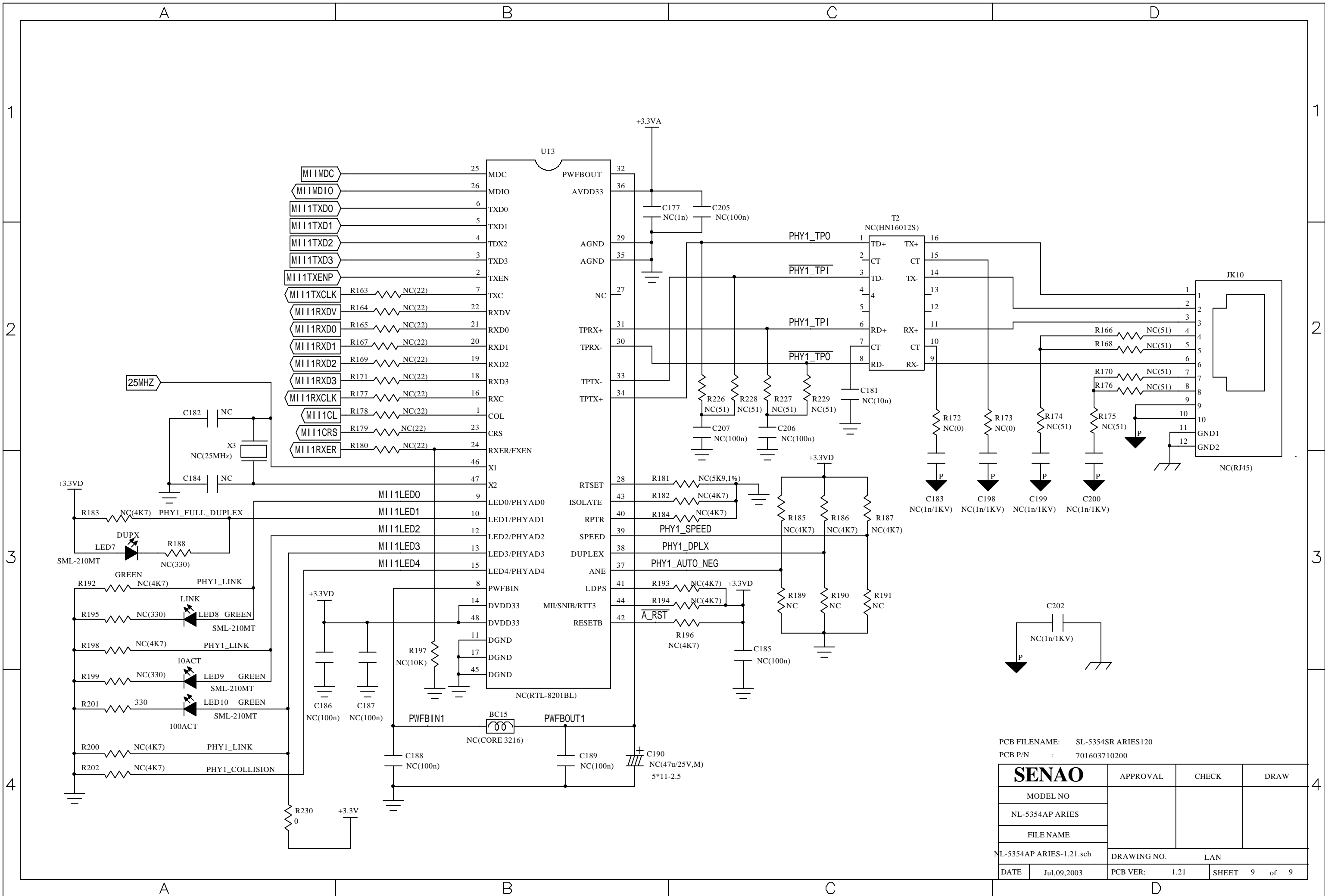
<b>SENAO</b>	APPROVAL	CHECK	DRAW
MODEL NO			
NL-5354AP ARIES			
FILE NAME			
NL-5354AP ARIES-1.21.sch	DRAWING NO.	MINIPCI SOCKET	
DATE	Jul09,2003	PCB VER:	1.21 SHEET 7 of 9



PCB FILENAME: SL-5354SR ARIES120  
 PCB P/N : 701603710200

SENAO		APPROVAL	CHECK	DRAW
MODEL NO				
NL-5354AP ARIES				
FILE NAME				
NL-5354AP ARIES-1.21.sch		DRAWING NO. WAN		
DATE	Jul,09,2003	PCB VER:	1.21	SHEET 8 of 9





PCB FILENAME: SL-5354SR ARIES120  
 PCB P/N : 701603710200

<b>SENAO</b>		APPROVAL	CHECK	DRAW
		MODEL NO		
NL-5354AP ARIES				
FILE NAME				
NL-5354AP ARIES-1.21.sch		DRAWING NO. LAN		
DATE	Jul,09,2003	PCB VER:	1.21	SHEET 9 of 9