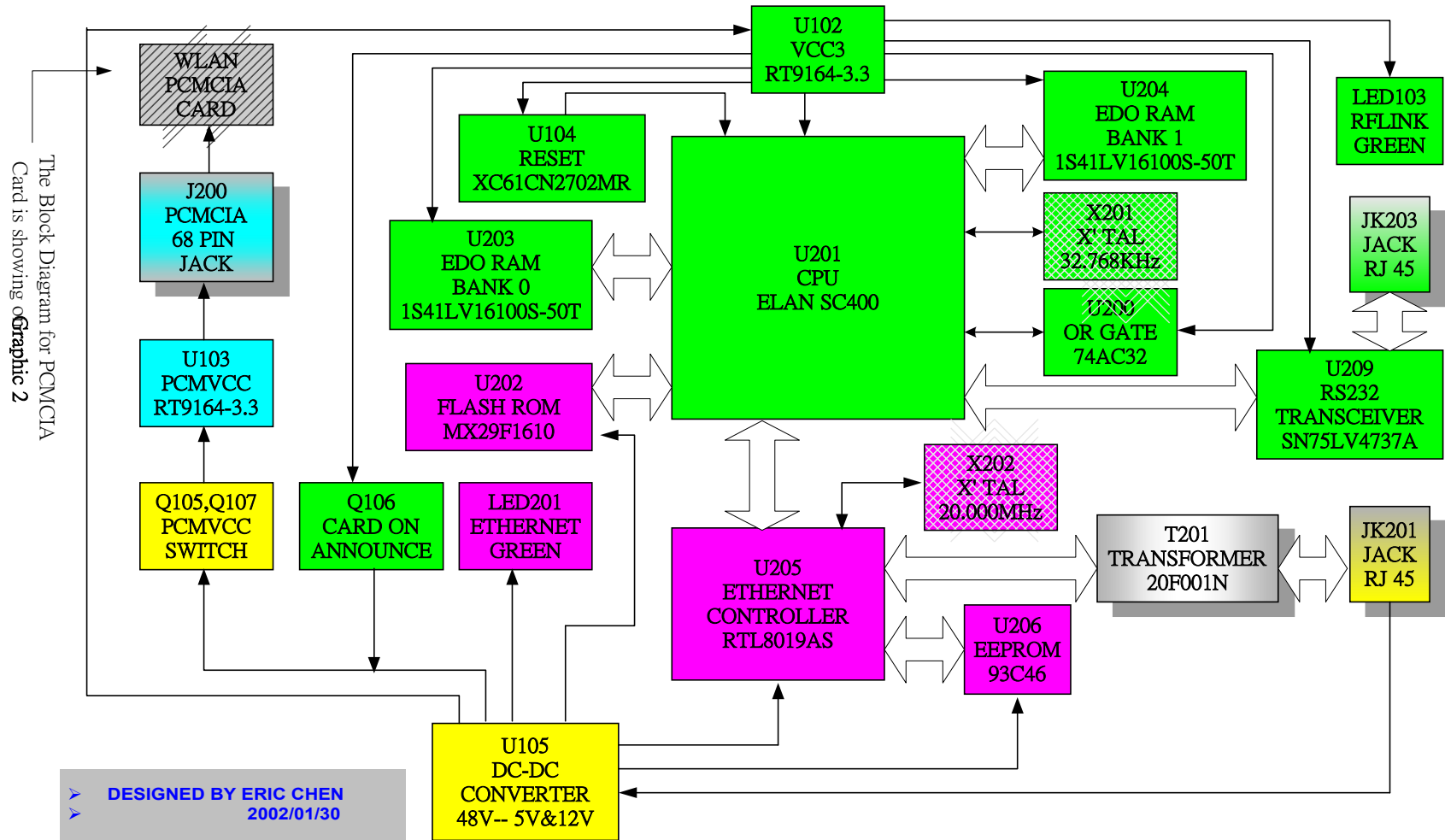


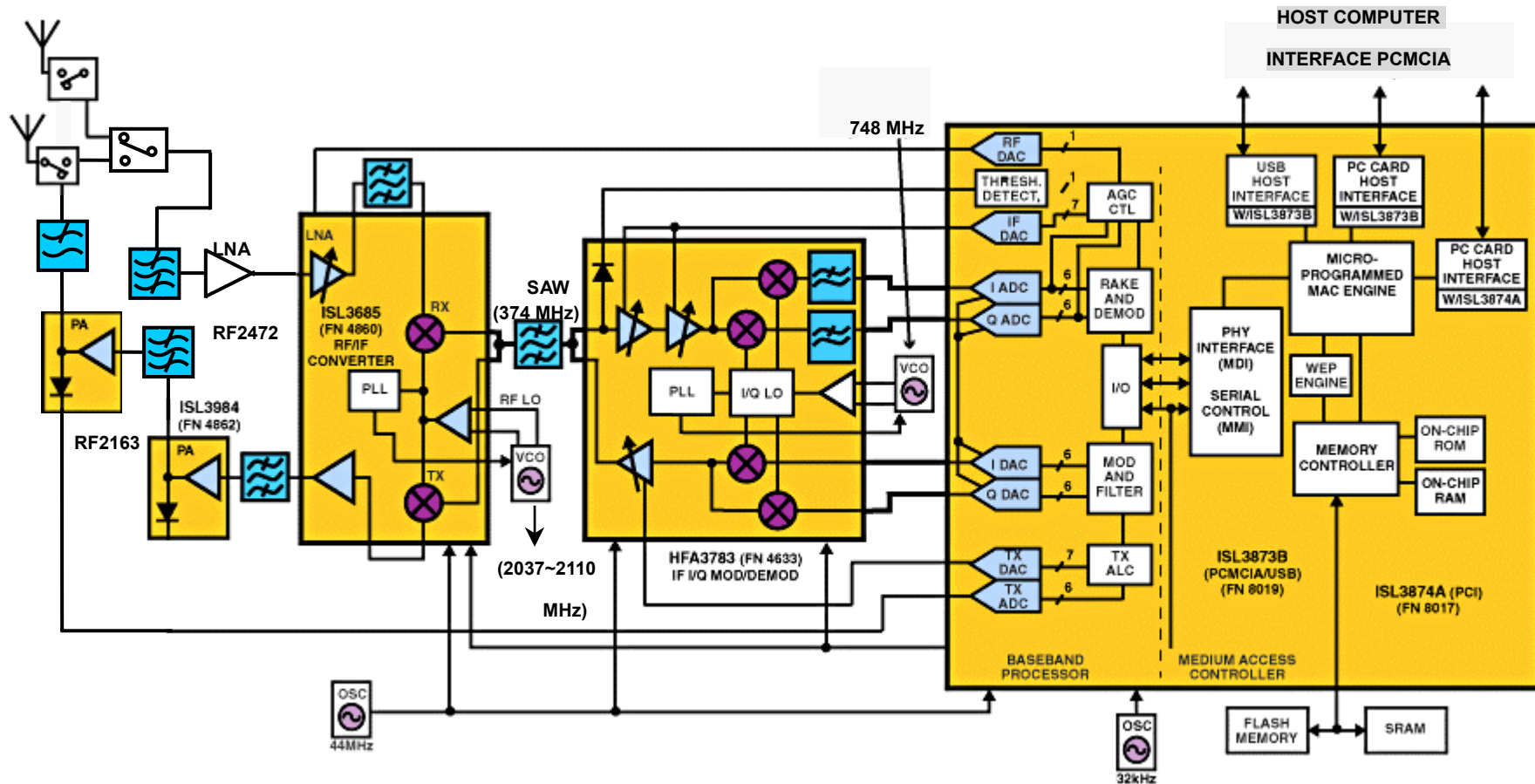
SL-2511BG PLUS BLOCK DIAGRAM



The Block Diagram for PCMCIA Card is showing Graphic 2

Graphic 1

PCMCIA Card Block Diagram



Graphic 2