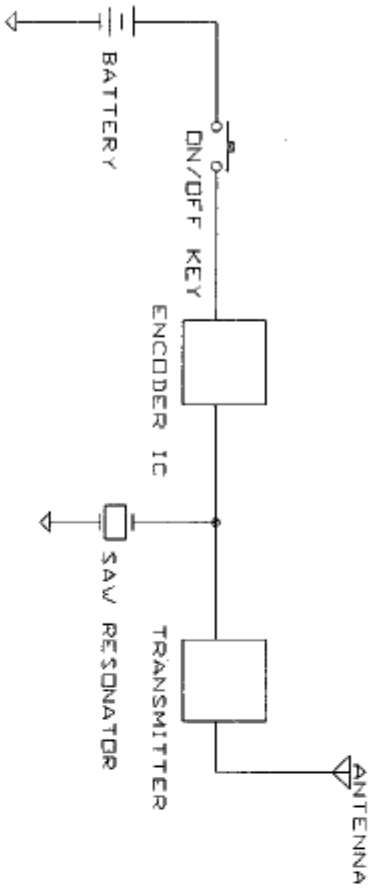
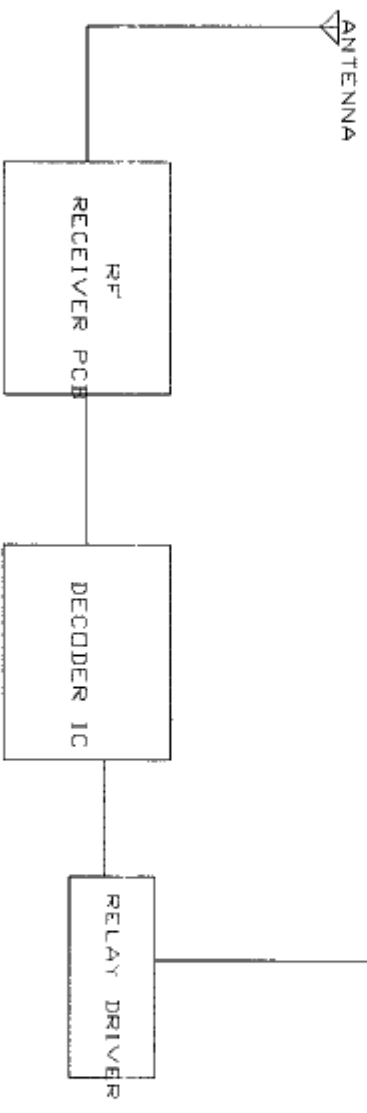


***EXHIBIT E***

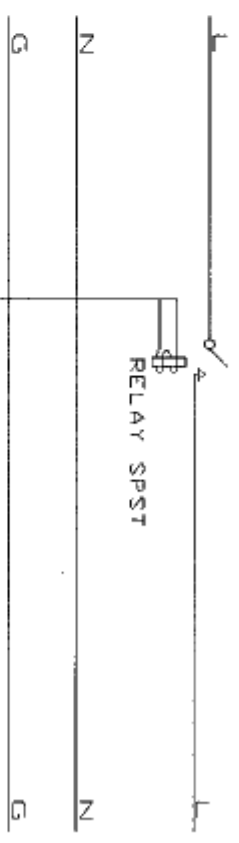
***Block Diagram***



PT-TX02  
TRANSMITTER BLOCK



PT-196 / PT-194 RECEIVER BLOCK



POWERTECH INDUSTRIAL CO.,LTD	
TITLE	RF CIRCUIT BLOCK
Size	Document Number
A	REV

v2.0 01/01