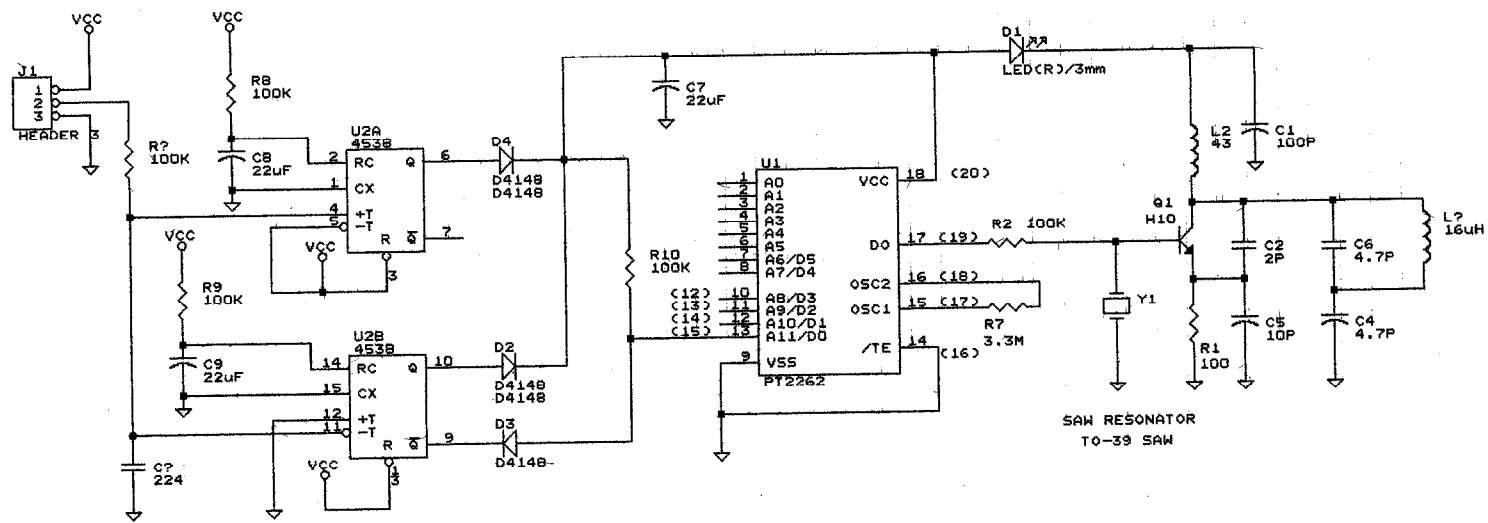


MODEL : R1G0072R1A
 FCC I.D : NHS PT-462



VER 2.0 01/01

RFM3

POWERTECH INDUSTRIAL CO.,LTD.

Title		RF TRANSMITTER (UL)
Size Document Number		REV
A		
Date:	May 2, 2002	Sheet 1 of 1