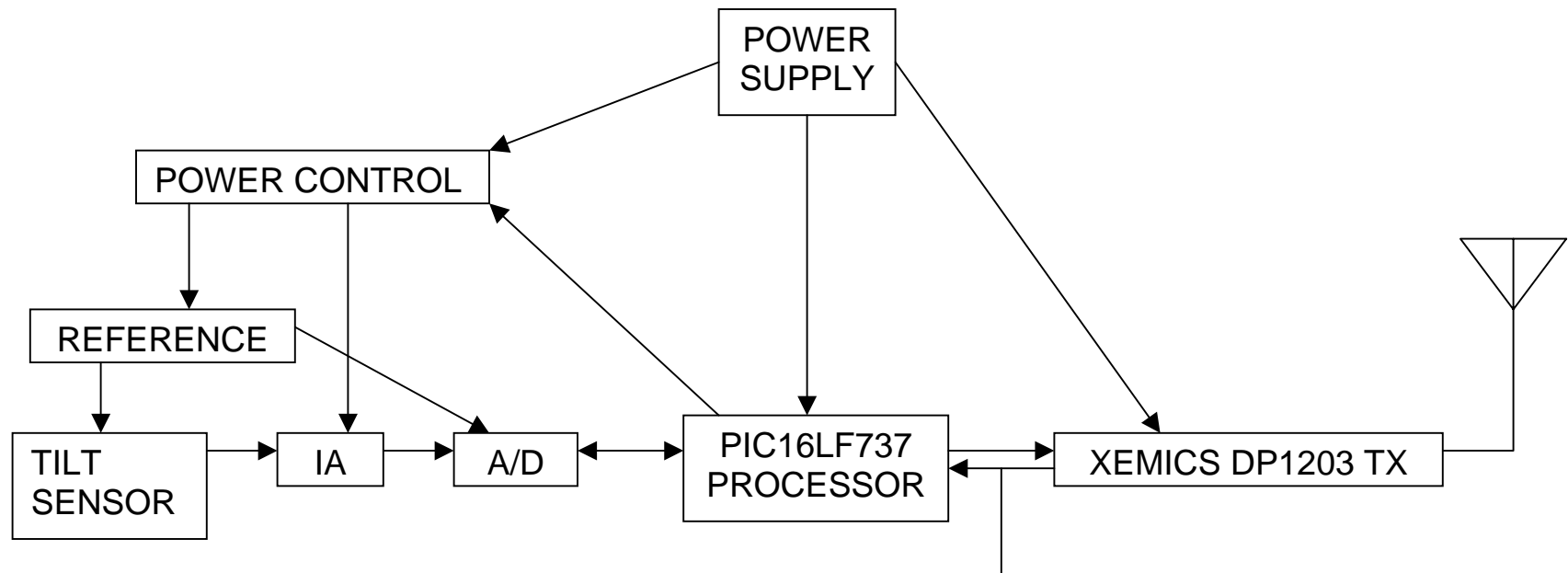


Angle



Transmitter contains 39 MHz oscillator, divided down to 1.218 MHz for PIC processor. Transmitter is direct synthesis (zero IF) and production configurable to transmit on 902-928 MHz.

Processor contains internal RC oscillator at 31.25 KHz, 1 MHz, 2 MHz, or externally as shown.