

## Annex 2 EUT Photographs, internal

Internal pictures provided by applicant.

Photo No. 7:

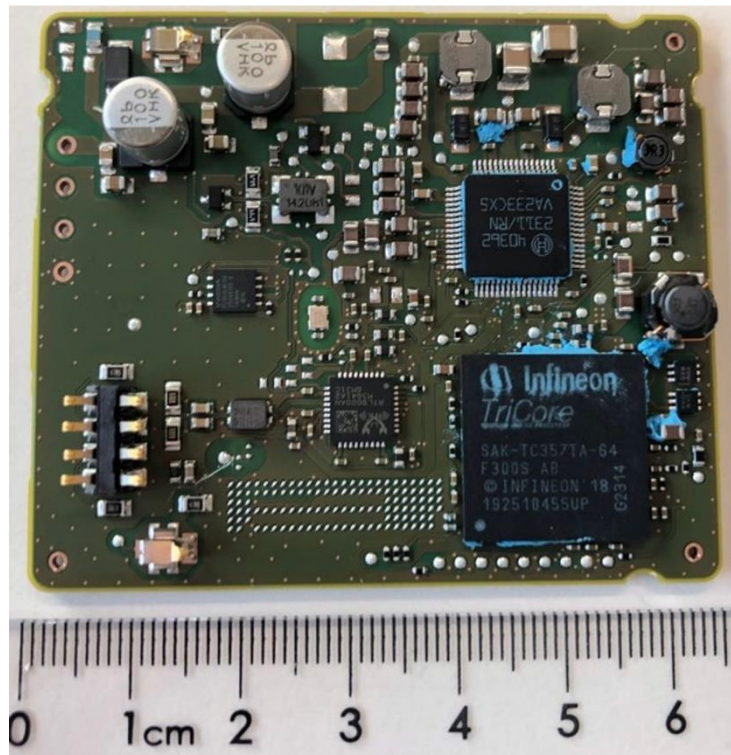
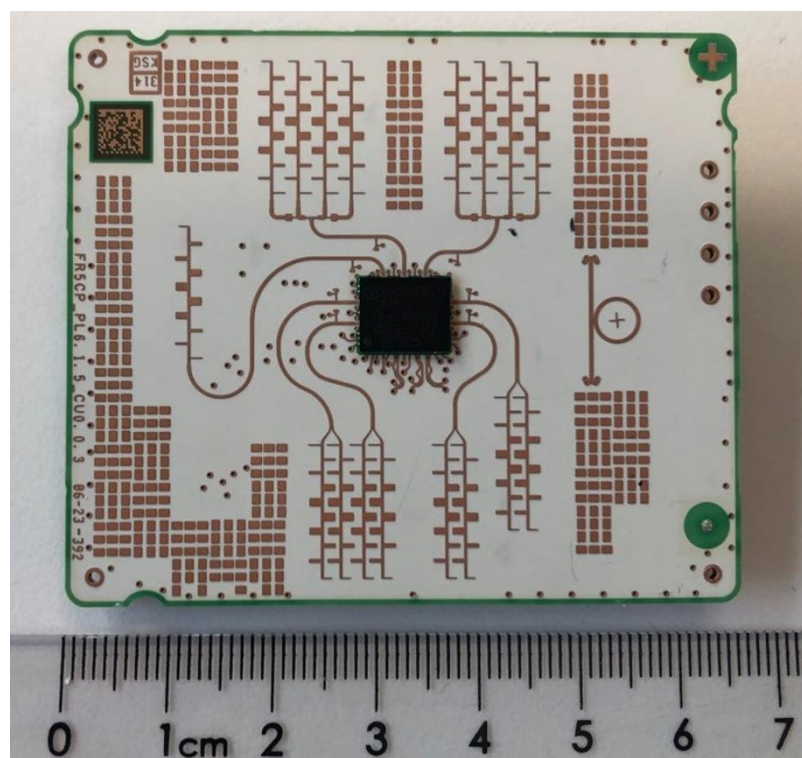


Photo No. 8:



TR no.: 23018362-32583-0

2023-11-15

Photo No. 9:

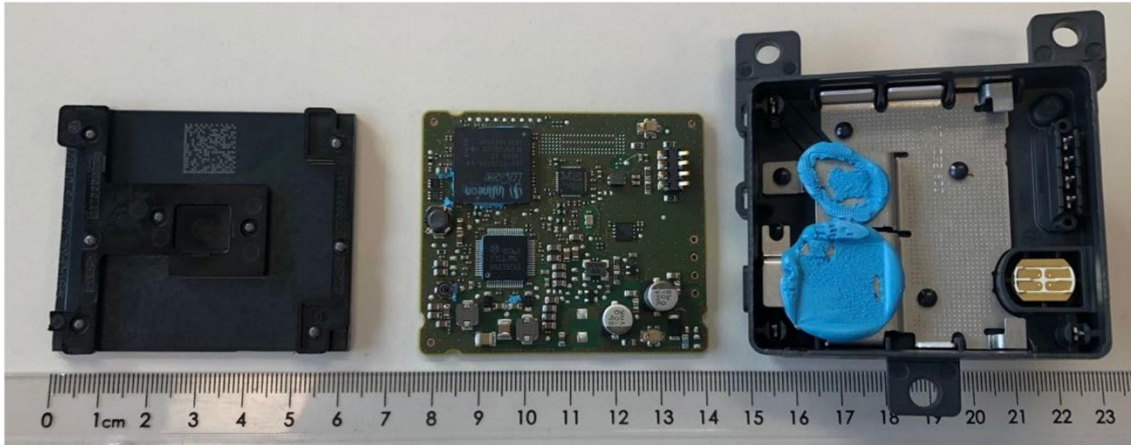


Photo No. 10:

