

Annex 1 EUT Photographs, external

Photo No. 1:

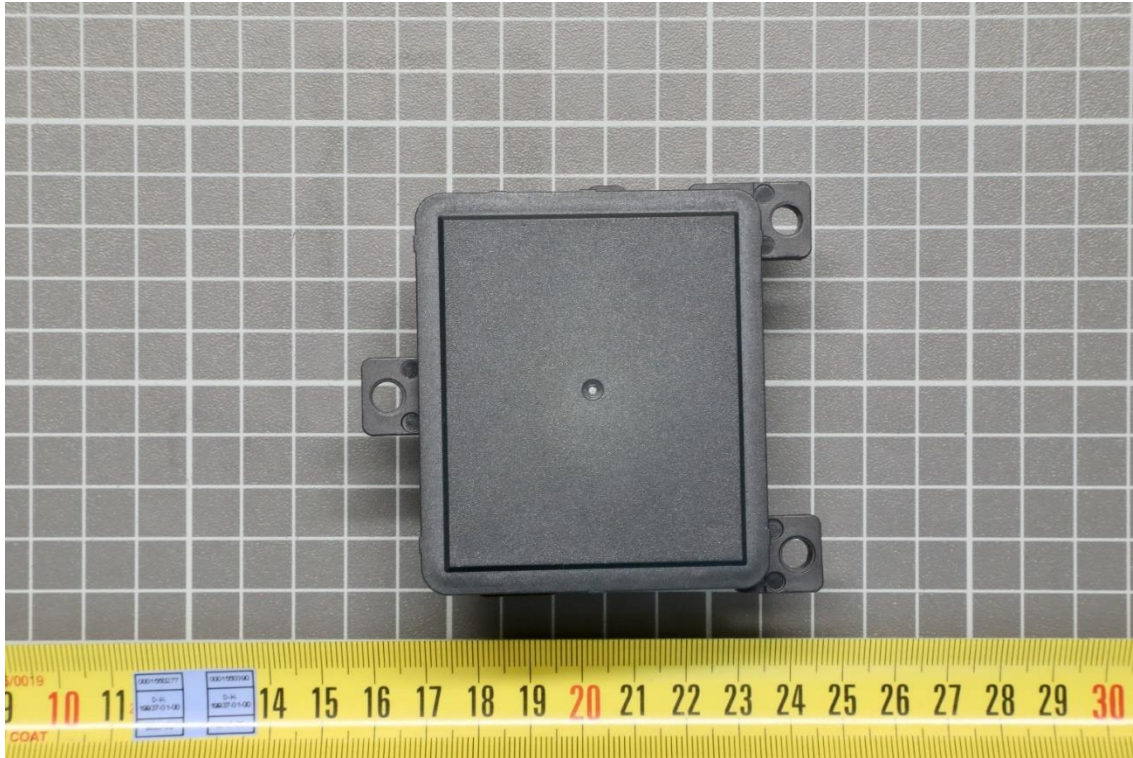


Photo No. 2:



TR no.: 21055523-20426-0

2021-09-20

Photo No. 3:

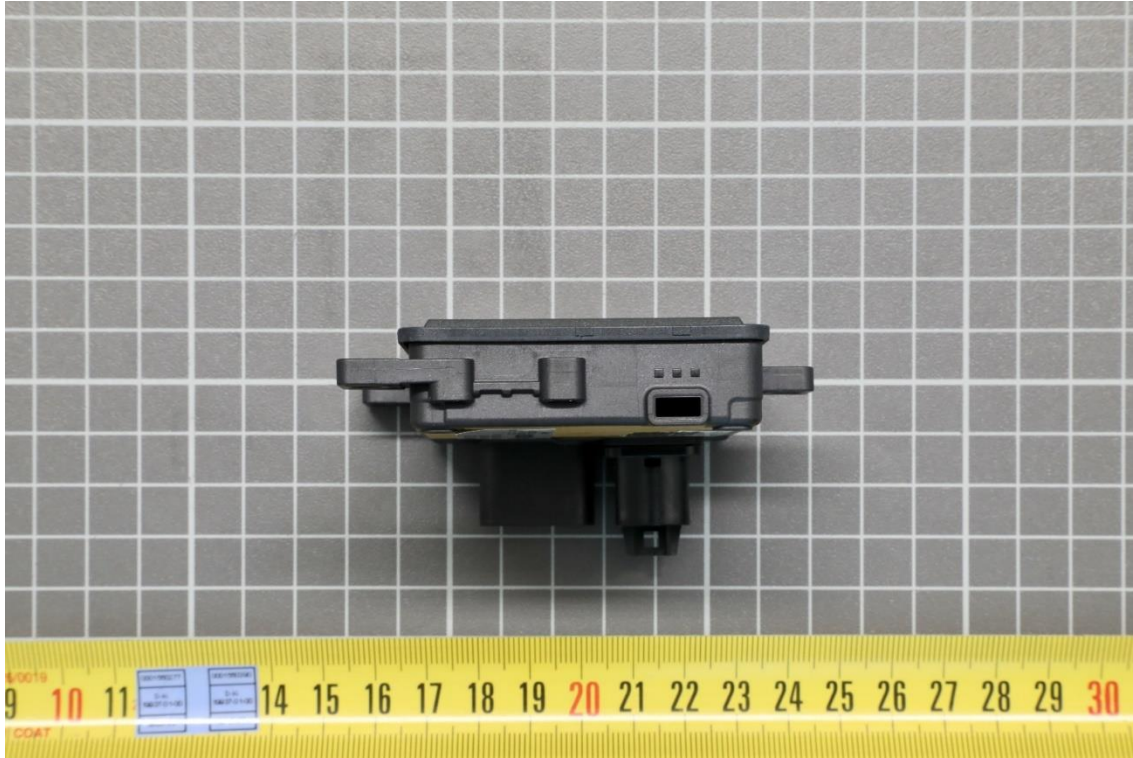


Photo No. 4:



Photo No. 5:

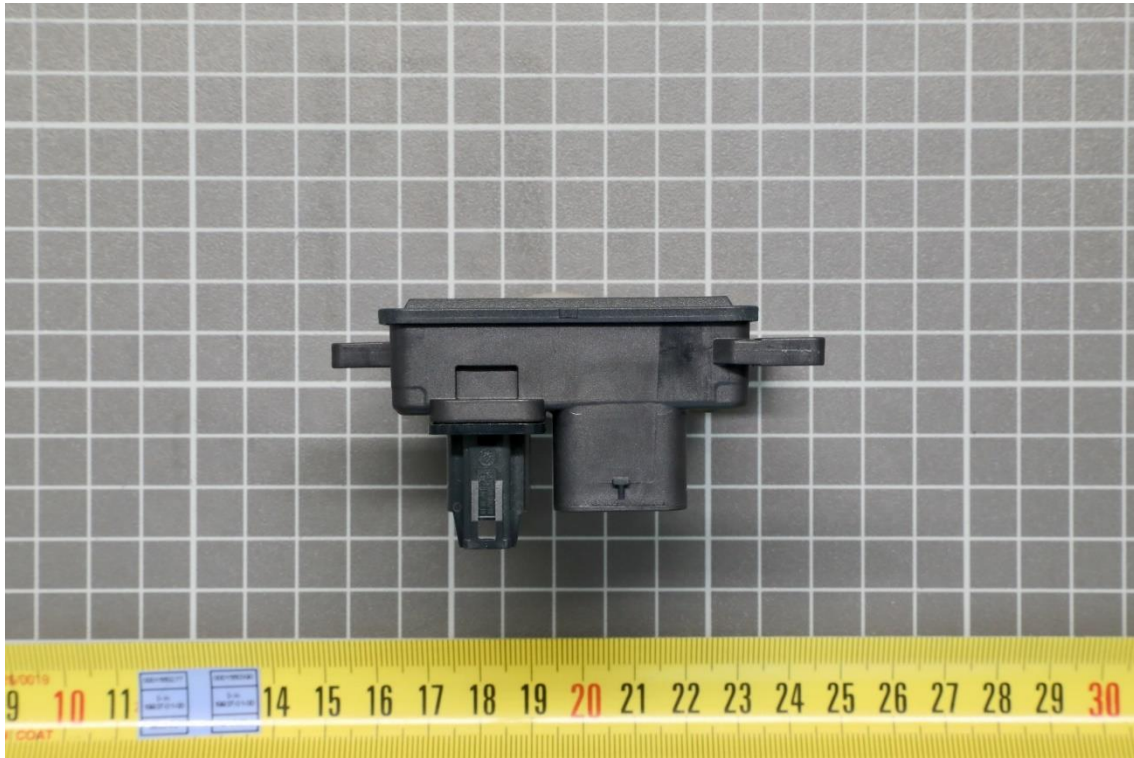


Photo No. 6:

